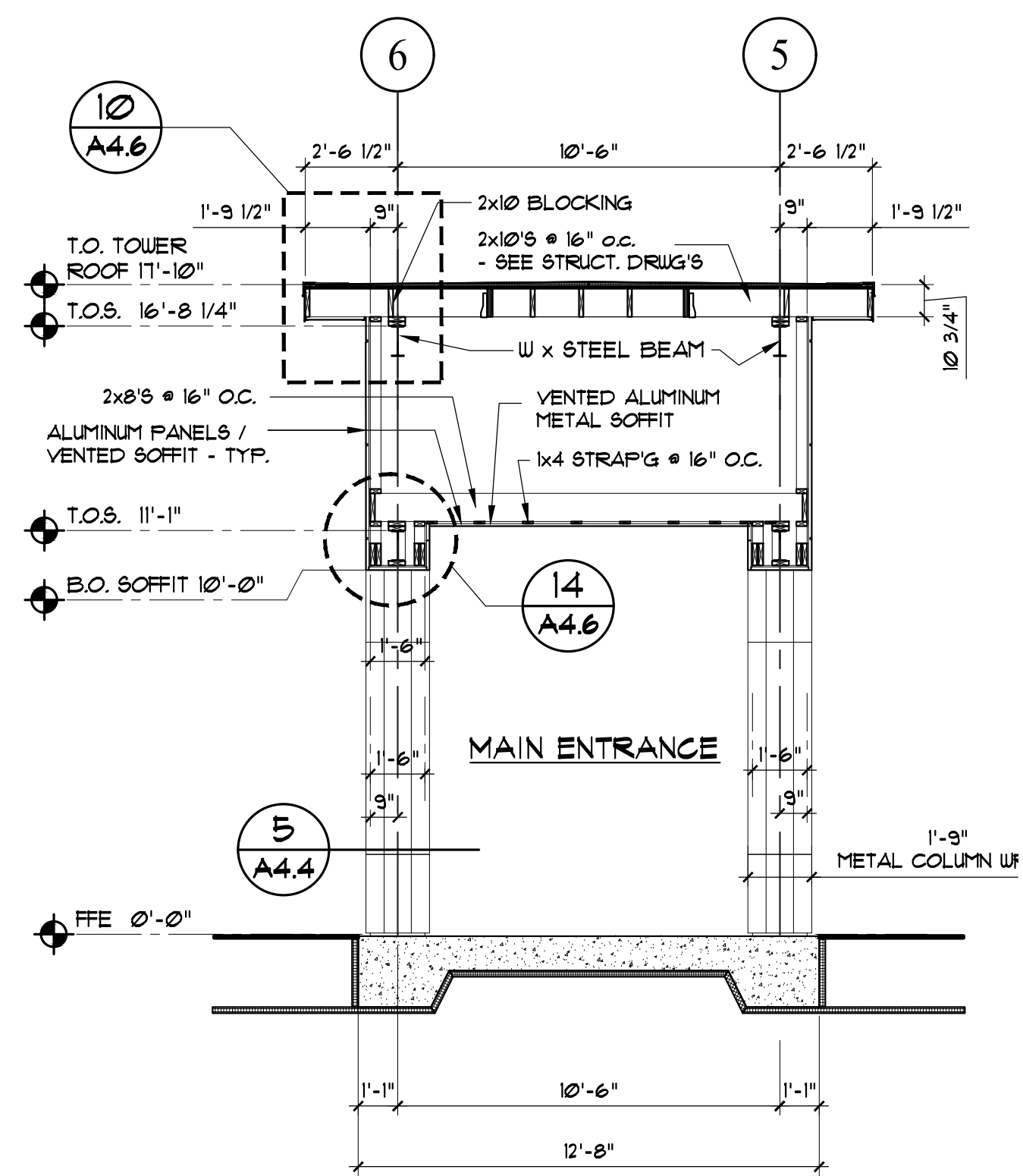
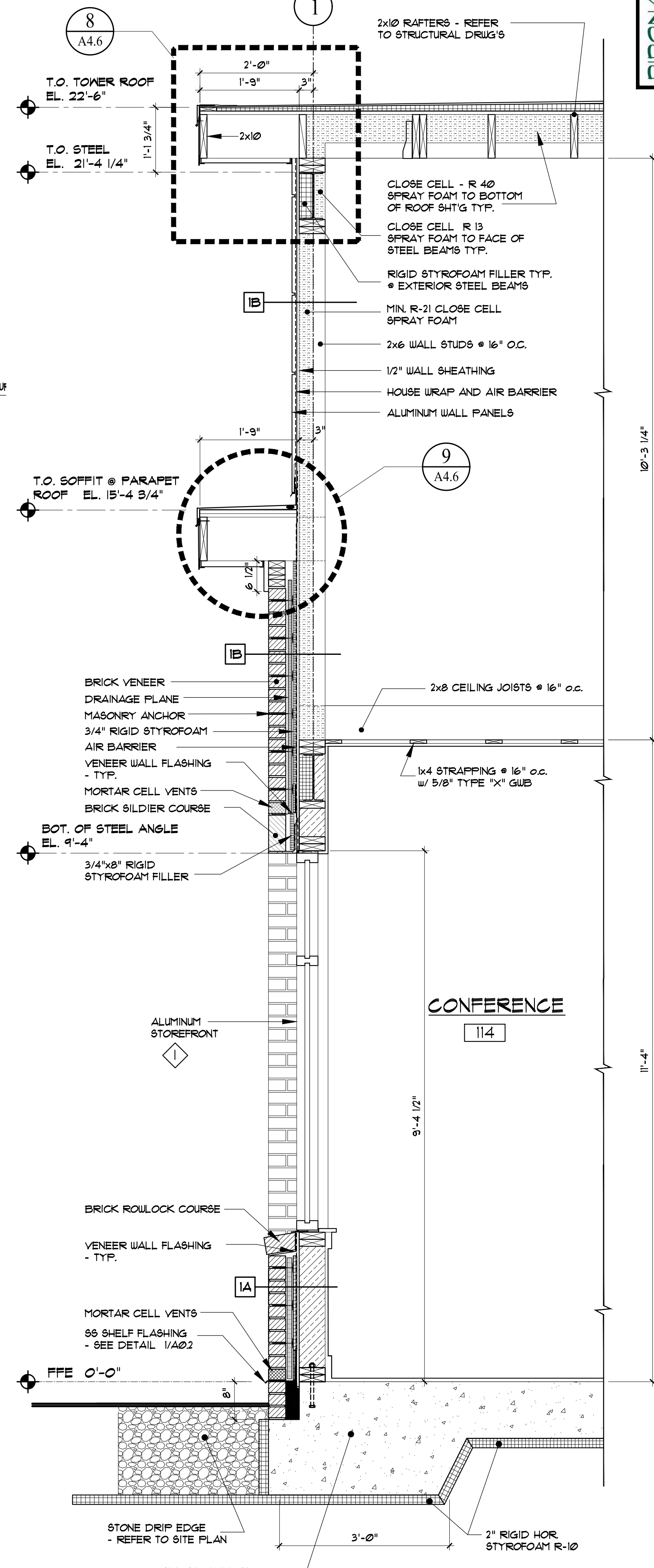


**F BUILDING SECTION**  
Scale: 1/4" = 1'-0"

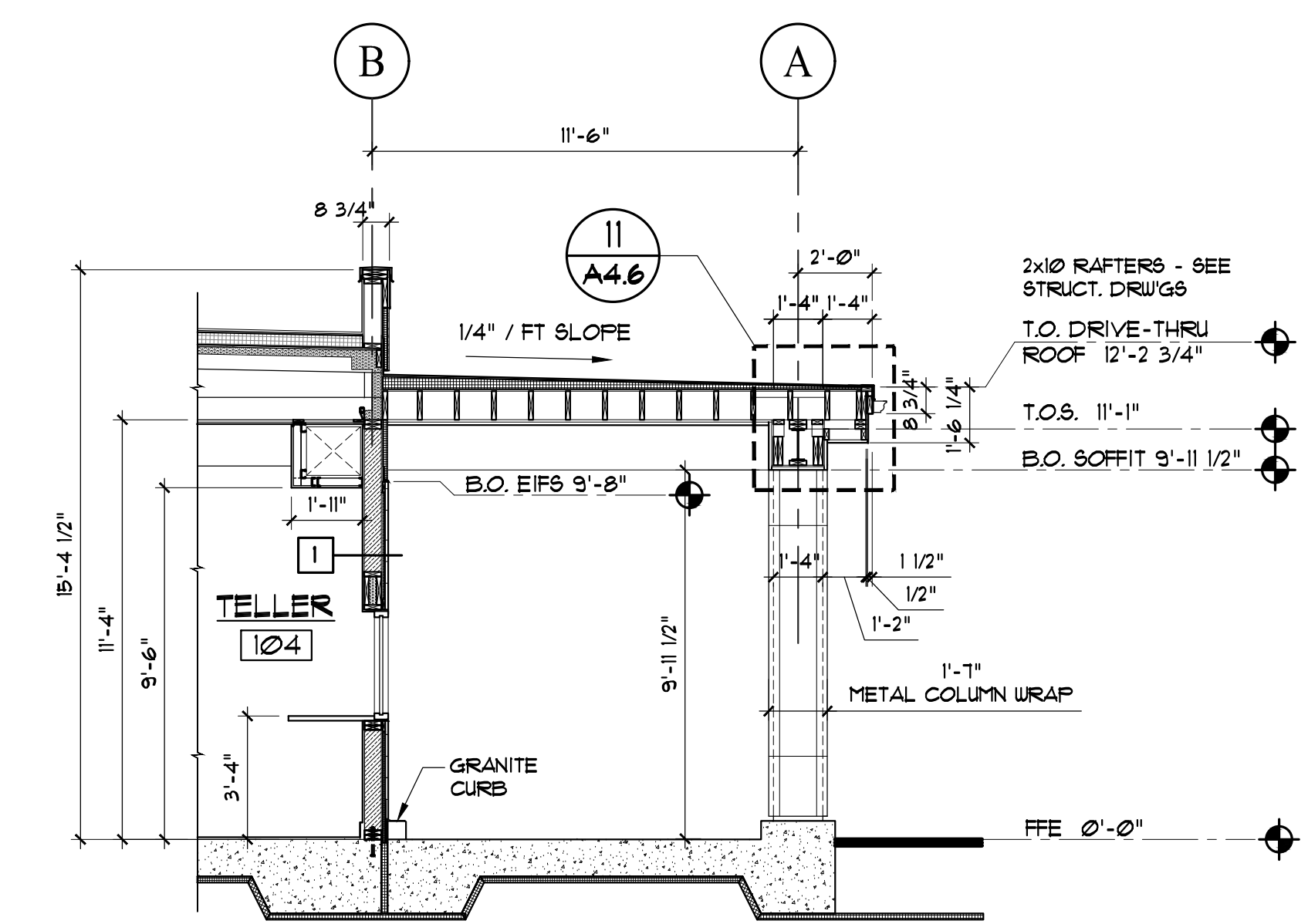


**G BUILDING SECTION**  
Scale: 1/4" = 1'-0"

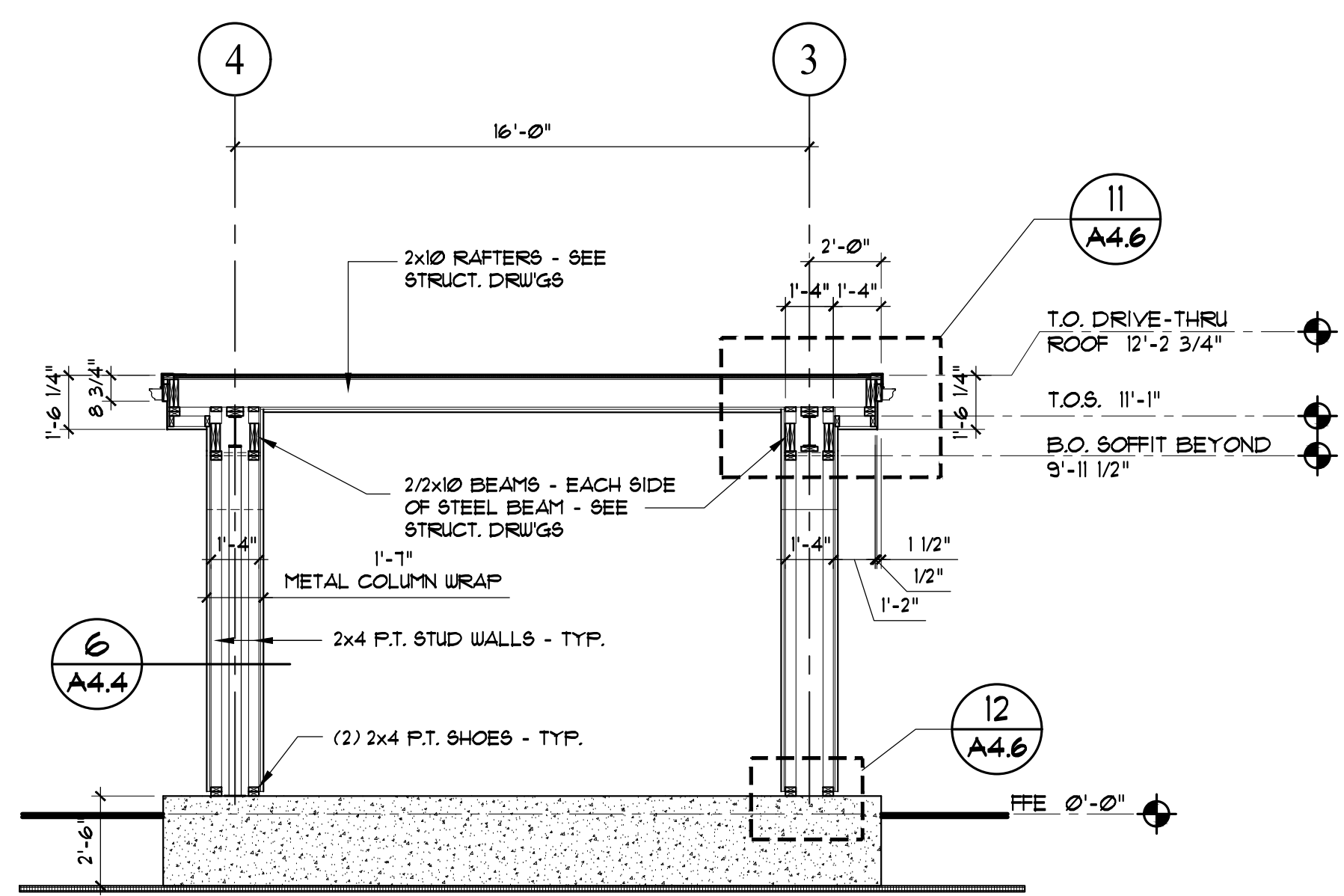
**TOWER ROOF - CONSTRUCTION SPECIFICATIONS**  
FIRESTONE RUBBER GUARD FULLY ADHERED 60 MIL EPDM SHEET MEMBRANE  
OVER 1/2" COVER BOARD (HD POLYISO)  
OVER TAPERED INSULATION  
OVER 5/8" TAG CDX ROOF SHEATHING



**I WALL SECTION THRU TOWER**  
Scale: 3/4" = 1'-0"



**H SECTION - THRU DRIVE-THRU**  
Scale: 1/4" = 1'-0"



**I SECTION - THRU DRIVE-THRU**  
Scale: 1/4" = 1'-0"

**PIDONATO**  
ARCHITECTURE + INTERIORS  
Joe DiDonato

400 US Route One, Suite A South  
Falmouth, ME 04105  
Tel: (207) 842-6260  
Fax: (207) 842-6271  
1 (800) 232-2253

**tlg inc.**  
creative • design • solutions

| Rev. No. | Date | Description | Drawn by: JFD |
|----------|------|-------------|---------------|
|          |      |             |               |
|          |      |             |               |

Infinity Credit Union  
29 Baxter Boulevard  
Portland, ME  
DETAILS

**A4.2**  
sheet number  
issued: -  
project no. 1605

99% PROGRESS SET 10-21-16