

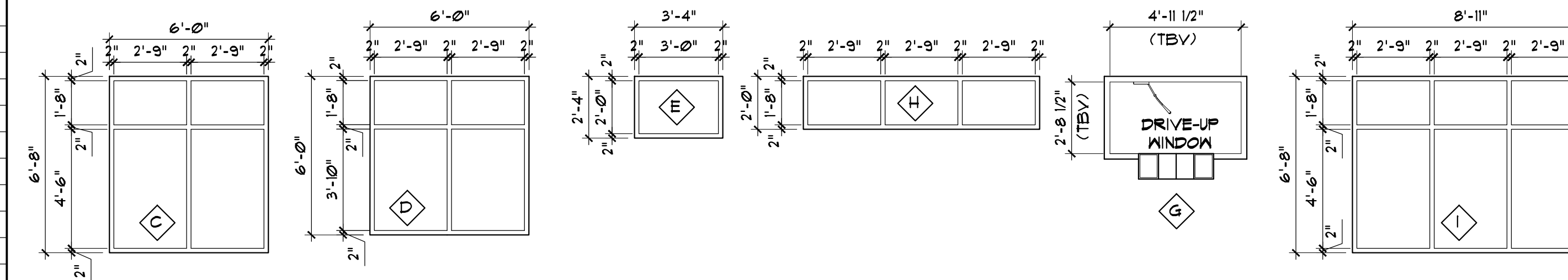
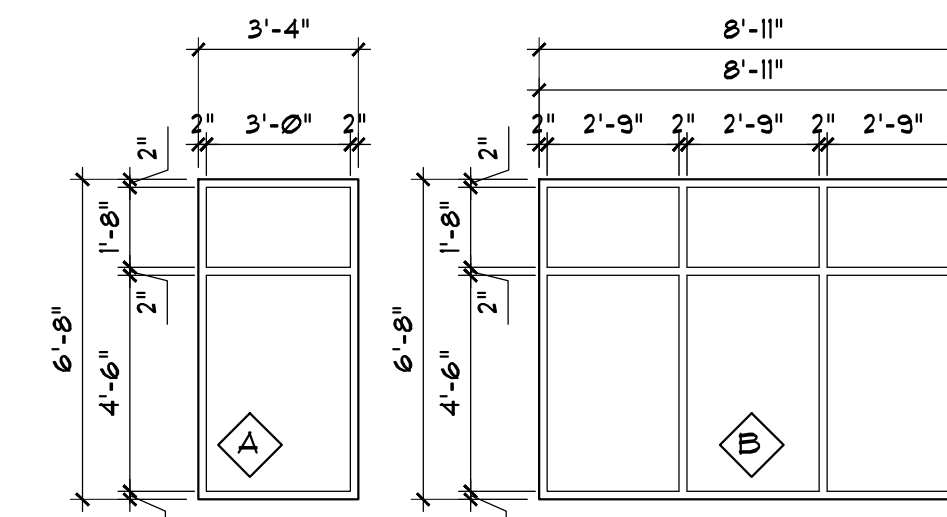
DOOR SCHEDULE

DOOR SCHEDULE ABBREVIATIONS		
ALUM. ALUMINUM	H.C. HANDICAP	SH SPRING HINGE
AO AUTOMATIC OPERATOR	INS INSULATED	S.LTS. SIDELITES
CLO CLOSURE	KPL KEY PAD LOCK - B OP	TEMP TEMPERED
CRA CARD READER ACCESS	LP LOW PROFILE - 1/2" Max.	THK THICKNESS
ED EXIT DEVICE (PA)	MN MINUTE	UD WOOD
ES ELECTRIC STRIKE - 12 V DC	MTL METAL	UG WIRE GLASS
EXT EXTERIOR	NO NUMBER	
DR DOOR	NR NON-RATED	
DP DOOR FULL	PP PUSH / PULL	
FR FIRE RATED	SC SOLID CORE	

NO.	ROOM	NAME	TYPE	SIZE	THK.	MAT.	GLASS	RATING	MAT.	TYPE	SILL	RATING	HDW SET	REMARKS	
100	VESTIBULE	D 1	3'-0" x 8'-0"	1 3/4"	ALUM.	INS/TEMP.	-	-	ALUM.	F 1	H.C./L.P.	-	-	DP / ED / CLOSURE / AUTO OPERATOR (TBV)	
100A	VESTIBULE	D 2	3'-0" x 8'-0"	1 3/4"	MAPLE	TEMP.	-	-	ALUM.	F 2	-	-	-	FP / CLOSURE / AUTO OPERATOR (TBV)	
101	MECH. / ELECT.	D 3	3'-0" x 1'-0"	1 3/4"	MAPLE	-	45 MIN.	-	METAL	F 3	-	45 MIN.	-	CLOSURE	
102	JANITOR	D 4	3'-0" x 1'-0"	1 3/4"	MAPLE	-	45 MIN.	-	METAL	F 3	-	45 MIN.	-	CLOSURE	
103	IT ROOM	D 4	3'-0" x 1'-0"	1 3/4"	MAPLE	-	45 MIN.	-	METAL	F 3	-	45 MIN.	-	CLOSURE	
104	BREAKROOM	D 4	3'-0" x 1'-0"	1 3/4"	MAPLE	-	45 MIN.	-	METAL	F 3	-	45 MIN.	-	CLOSURE	
105	COATS	D 5	2'-4" x 1'-0"	1 3/8"	MAPLE	-	-	-	METAL	F 4	-	-	-	-	
106	REAR HALL	D 6	3'-0" x 1'-0"	1 3/4"	GALV.	INS/TEMP.	-	-	GALV.	F 4	H.C./L.P.	-	-	CLOSURE / CRA-ES (12V DC) (TBV)	
106A	REAR HALL	D 7	3'-0" x 1'-0"	1 3/4"	MAPLE	TEMP.	45 MIN.	-	METAL	F 3	-	45 MIN.	-	CLOSURE / CRA-ES (12V DC) (TBV)	
107	SUPPLY CLOS.	D 4	3'-0" x 1'-0"	1 3/4"	MAPLE	-	45 MIN.	-	METAL	F 3	-	45 MIN.	-	CLOSURE	
108	ADA TOILET	D 4	3'-0" x 1'-0"	1 3/4"	MAPLE	-	45 MIN.	-	METAL	F 3	-	45 MIN.	-	CLOSURE	
109	ADA TOILET	D 4	3'-0" x 1'-0"	1 3/4"	MAPLE	-	45 MIN.	-	METAL	F 3	-	45 MIN.	-	CLOSURE	
110	MANAGERS OFFICE	D 8	3'-0" x 8'-0"	1 3/4"	MAPLE	TEMP.	-	-	ALUM.	F 5	-	-	-	-	
111	TELLER	NO DOOR THIS NUMBER			NO FRAME THIS NUMBER										
112	LOBBY	NO DOOR THIS NUMBER			NO FRAME THIS NUMBER										
113	WORK ROOM	D 9	3'-0" x 8'-0"	1 3/4"	MAPLE	-	-	-	ALUM.	F 4	-	-	-	CLOSURE / CRA-ES (12V DC) (TBV)	
114	CONFERENCE	D 10	3'-0" x 8'-0"	1 3/4"	MAPLE	TEMP.	-	-	ALUM.	F 6	-	-	-	-	
115	VESTIBULE	D 11	3'-0" x 8'-0"	1 3/4"	ALUM.	INS/TEMP.	-	-	ALUM.	F 7	H.C./L.P.	-	-	DP / ED / CLOSURE / AUTO OPERATOR (TBV)	
115A	VESTIBULE	D 12	3'-0" x 1'-0"	1 3/4"	MAPLE	TEMP.	-	-	ALUM.	F 8	-	-	-	FP / CLOSURE / AUTO OPERATOR (TBV)	
116	WAITING	NO DOOR THIS NUMBER			NO FRAME THIS NUMBER										
117	OFFICE	D 13	3'-0" x 8'-0"	1 3/4"	MAPLE	TEMP.	-	-	ALUM.	F 9	-	-	-	-	
118	OFFICE	D 14	3'-0" x 8'-0"	1 3/4"	MAPLE	TEMP.	-	-	ALUM.	F 10	-	-	-	-	
200	TOWER ACCESS	D 15	2'-0" x 3'-0"	1 3/4"	GALV.	-	-	-	GALV.	F 4 5/8"	-	-	-	EXTERIOR INS. / CLOSURE / WEATHERSTRIP	

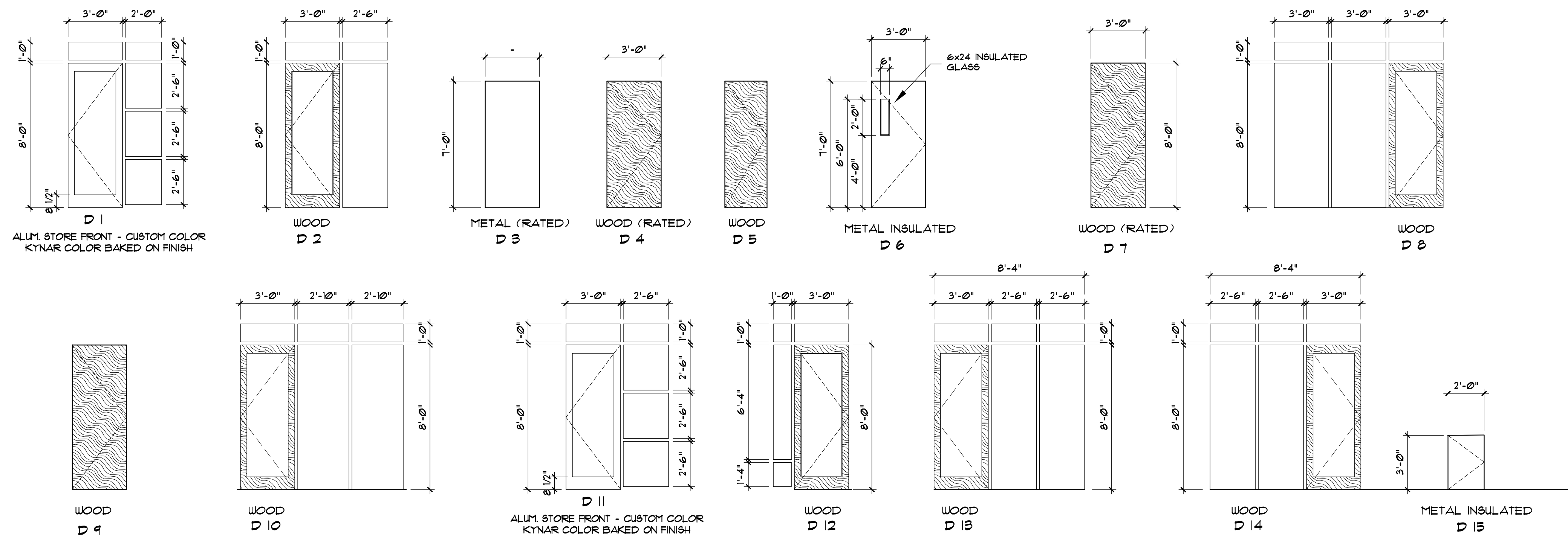
EXTERIOR WINDOW SCHEDULE

NO.	TYPE	MANUFACTURER	UNIT NUMBER	UNIT DIMENSION	ROUGH OPENING	REMARKS
A	ALUM. STOREFRONT					
B	ALUM. STOREFRONT					
C	ALUM. STOREFRONT					
D	ALUM. STOREFRONT					
E	ALUM. STOREFRONT					
F						
G						DRIVE-THRU WINDOW / AIR CURTAIN BY GC - REFER TO SPECIFICATIONS
H	ALUM. STOREFRONT					
I	ALUM. STOREFRONT					



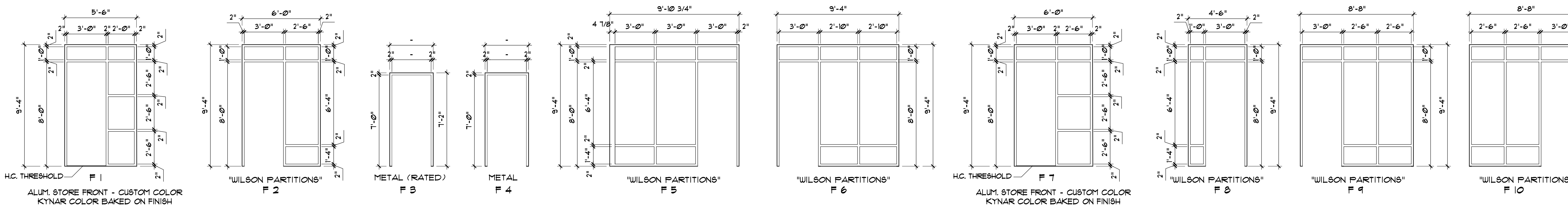
GENERAL NOTES: DOORS & HARDWARE

- DOORS, FRAMES AND HARDWARE BY HARDWARE CONSULTANTS.
US ROUTE ONE FALMOUTH, ME.
CONTACT CHARLES TARTE 800-639-3404.
NO SUBSTITUTIONS WILL BE ACCEPTED. G.C. TO CO-ORDINATE WITH HARDWARE CONSULTANTS.
- ALUMINUM EXTERIOR STANDARD ENTRANCE DOORS AND FRAMES & STOREFRONT.
A. MANUFACTURED BY KAWNEER COMPANY INC. OR EQUAL.
B. STOREFRONT FRAMING: KAWNEER CENTER GLAZED (2" x 4 1/2").
- ENTRANCE DOORS AND FIXED SIDELITES - SERIES 500 STANDARD WIDE STYLE.
A. SWING DOOR - 500 WIDE STYLE 1 3/4" DEPTH.
B. FIXED TRANSOMS - NARROW STYLE.
C. EXTRUDED ALUMINUM 6063-T5 ALLOY AND TEMPER.
D. WEATHER SEALS: COMPLY WITH AAMA 101/102.
- THERMAL FRAMING STOREFRONT SYSTEM.
A. STOREFRONT ENTRANCE FRAMING SYSTEM. TRIFAB VG (VERSA GLAZE) 45IT. THERMALLY BROKEN.
B. ALUMINUM FINISHES: DOORS, FRAMES AND FIXED TRANSOMS.
1. PAINTED FINISH: KAWNEER PERMAFLUOR (10% PVDA), AAMA 2609, FLUOROPOLYMER, 10 YEAR WARRANTY. PAINTED FINISH: (MATCH EXISTING).
C. FRAME: TWO (2) YEAR WARRANTY.
D. THERMO SILICONE SEALANT w/ #10 PRIMER. COLOR: MATCH FRAME.
E. EXPOSED FASTENERS: ALUMINUM, STAINLESS STEEL OR OTHER NON-CORROSIVE MATERIAL.
F. WINDOW SILL: INSTALL ALUMINUM BREAK METAL & SEALANT.
G. STOREFRONT FINISH: INTERIOR - CLEAR ANODIZED, EXTERIOR - WHITE.
- GLAZING: COMMERCIAL INSULATED STORE FRONT GLAZING.
A. MANUFACTURED BY OLDCASTLE, INC. OR EQUAL.
B. 1" CLEAR INSULATED LOW (E) - HIGH PERFORMANCE PFG ARCHITECTURAL GLASS.
C. SOLARBAN 60 (2) CLEAR + CLEAR (1/2" Air Space - 1/4" Glass)
U Value: 0.29, R Value: 3.45, Visible Light Transmittance 10%, SHG Coef. 0.38, L68 L85
D. STOREFRONT: TEMPERED AND ANNEALED PER CODE.
E. TRANSOM LITES: ANNEALED.
- EXTERIOR METAL INSULATED DOOR.
A. MANUFACTURED BY CURRIES OR EQUAL.
B. INSULATION: T801 / POLYSTYRENE CORE.
C. OPERABLE DOOR: U-FACTOR 0.91, R-VALUE 2.1
D. AIR INFILTRATION w/ THERMAL BREAK FRAME:
CFM / SF = 0.04, CFM / LF = 0.06
- ALL HARDWARE SHALL COMPLY WITH A.D.A. REQUIREMENTS AND STANDARDS.
- ALL DOORS SHALL HAVE LEVER HANDLE.
- HARDWARE FINISH - US36D 'CHROME PLATED, DULL'
- LOCATE AUTO OPERATOR AND CLOSURE WITHIN THE VESTIBULE AREA (TYP).
- INTERIOR WOOD DOORS AND METAL FRAMES.
A. MAPLE DOORS - CLEAR SELECT MAPLE. MATCH TELLER LINE.
B. HOLLOW METAL FRAMES - PAINTED (REFER TO FINISH SCHEDULE).
- INTERIOR ALUMINUM DOOR FRAMES.
SUPPLIED BY 'WILSON PARTITIONS'. SEE FINISH PLAN FOR DETAILS.
- INTERIOR KD STEEL DOOR FRAMES.
PAINTED - (REFER TO FINISH SCHEDULE).
- CONTRACTOR TO FIELD VERIFY ALL OPENINGS BEFORE FABRICATION.
- CONTINUOUS HANDICAP THRESHOLD - 5" wide.
- GLAZING: REFER TO MANUFACTURER FOR SAFETY GLAZING.



DOOR ELEVATIONS

SCALE: 1/4" = 1'-0"



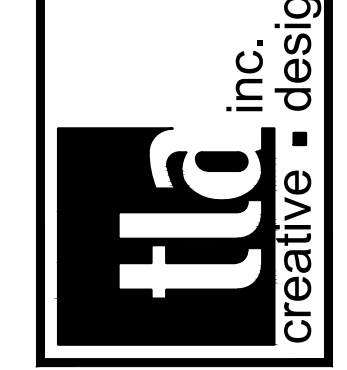
FRAME TYPES

SCALE: 1/4" = 1'-0"



Joe DiDonato

400 US Route One, Suite A South
Falmouth, ME 04105
Tel: (207) 842-6260
Fax: (207) 842-6271



Rev. No.	Date	Description	Drawn by: JFD

Infinity Credit Union
29 Baxter Boulevard
Portland, ME
DOOR - WINDOW SCHEDULES

A3.1	sheet number
	issued: -
	project no. 1605

99% PROGRESS SET 10-21-16