

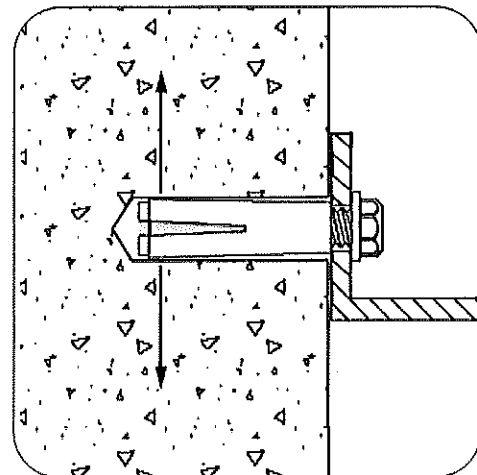
2" DEEP FABRICATED ALUMINUM SIGN, PAINTED GREEN,
 WITH PRINTED VINYL GRAPHICS; VINYL GRAPHICS TO
 HAVE MATTE CLEAR OVER-LAMINATE PROTECTION

MOUNTING LOCATIONS,
 (8) PLACES

SINGLE FACE NON-LIGHTED WALL SIGN

SCALE: 3/4"=1'-0"

(1) REQUIRED



LOK-BOLT™ ANCHORING SYSTEM AS MFG BY
 POWERS FASTENERS, NEW ROCHELLE, NY OR
 EQUAL:

A PRE-ASSEMBLED SINGLE UNIT SLEEVE
 ANCHOR FOR ANCHORING INTO SOLID AND
 HOLLOW CONCRETE AND MASONRY
 SUBSTRATES

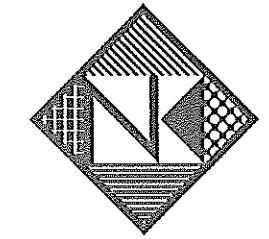
PATENTED COMPRESSION RING PULLS FIXTURE
 FLUSH TO THE WORK SURFACE

AVAILABLE IN CARBON STEEL AND TYPE 304
 STAINLESS STEEL; SEVERAL HEAD STYLES

SIZE RANGE: 1/4" DIA. x 5/8" TO 3/4" DIA. x 7 1/2"

SLEEVE-ANCHOR MOUNTING DETAIL

NOT TO SCALE



Neokraft
 S I G N S

Neokraft Signs Inc.
 686 Main Street
 Lewiston, Maine 04240
 Telephone: 207.782.9654
 Facsimile: 207.782.0009
 1.800.339.2258
<http://www.neokraft.com>

Custom Sign Fabrication

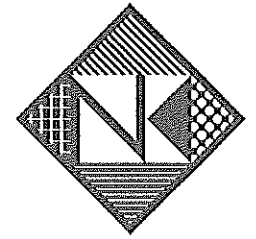
These plans are the exclusive property of Neokraft Signs, Inc. and are the result of the original work of its employees. They are submitted to Neokraft's client for the sole purpose of consideration of whether to purchase these plans or to purchase from Neokraft a sign manufactured according to these plans.

Distribution or exhibition of these plans to anyone other than employees of said client, or use of these plans to construct a sign similar to the one embodied herein, is expressly forbidden. In the event that such exhibition or construction occurs, Neokraft expects to be reimbursed \$1500 in compensation for time and effort entailed in creating these plans.

Bier Cellar
 15017

PERMIT DRAWING

Location:	299 Forest Ave.	
	Portland ME	
Drawing No.:	1 of 2	
Drawn by:	PFAT	Rep.:RM
Date:	04.16.2012	
Lead No.:	ML017393	
Gen Ref.:		



Neokraft
SIGN S

Neokraft Signs Inc.
686 Main Street
Lewiston, Maine 04240
Telephone: 207.782.9654
Facsimile: 207.782.0009
1.800.339.2258
<http://www.neokraft.com>

Custom Sign Fabrication

These plans are the exclusive property of Neokraft Signs, Inc. and are the result of the original work of its employees. They are submitted to Neokraft's client for the sole purpose of consideration of whether to purchase these plans or to purchase from Neokraft a sign manufactured according to these plans.

Distribution or exhibition of these plans to anyone other than employees of said client, or use of these plans to construct a sign similar to the one embodied herein, is expressly forbidden. In the event that such exhibition or construction occurs, Neokraft expects to be reimbursed \$1500 in compensation for time and effort entailed in creating these plans.

Bier Cellar 15017

PERMIT DRAWING

Location:	299 Forest Ave.
	Portland ME
Drawing No.:	2 of 2
Drawn by:	PFAT Rep.:RM
Date:	04.16.2012
Lead No.:	ML017393
Gen Ref.:	

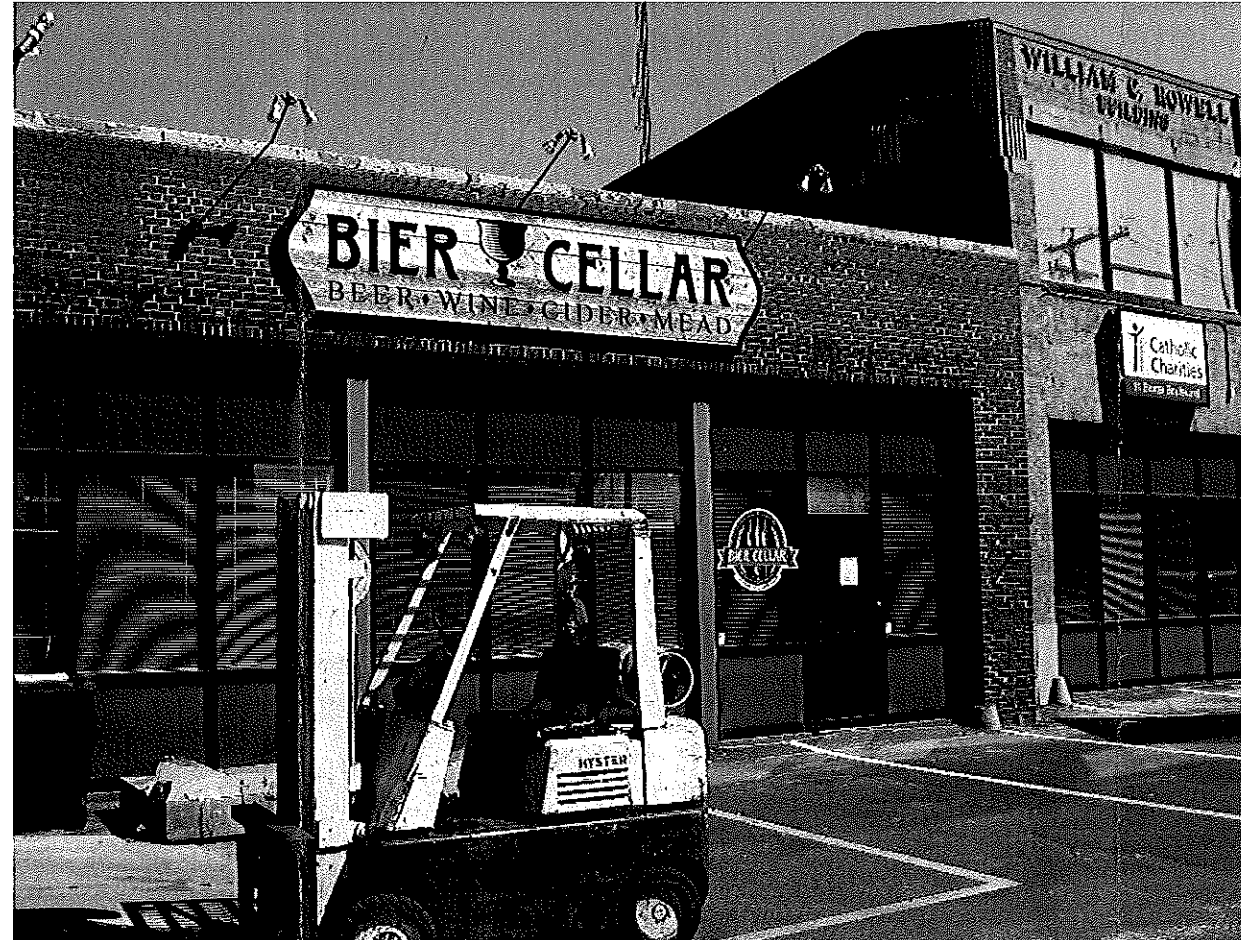


PHOTO COMPOSITE
NOT TO SCALE



HP PRINTED WHITE VINYL GRAPHICS
WITH MATTE CLEAR OVER-LAMINATE

FIRST SURFACE PRINTED VINYL WINDOW GRAPHICS
SCALE: 1"=1'-0" (1) REQUIRED



A. EverGreen Garden center B. Proposed BIERCellar sign C. Catholic Charities Internet d. Bradford's Rug Gallery 100%