

**LEGEND:**

RISER DIAG SYM	NFPA SYMBOL*	DESCRIPTION	CATALOG #
FACP	FACP	Fire Alarm Control Panel	EST iO64RD
F	P	Addressable Manual Station	SIGA-278
?	?	Addressable Smoke Detector w/ Base	SIGA-PD SIGA-SB
CTx	AIM	Addressable Input Module (x Denotes Single or Double Input)	SIGA-CTx
CR	ADM	Addressable Control Module	SIGA-CR
☒ #	☒	Strobe Unit - White Wall Mount Adjustable Candela (# indicates Candela Rating)	G1RF-VM
☒ #	☒	Horn/Strobe Unit - White Wall Mount- Adjustable Candela (# indicates Candela Rating)	G1RF-HDVM

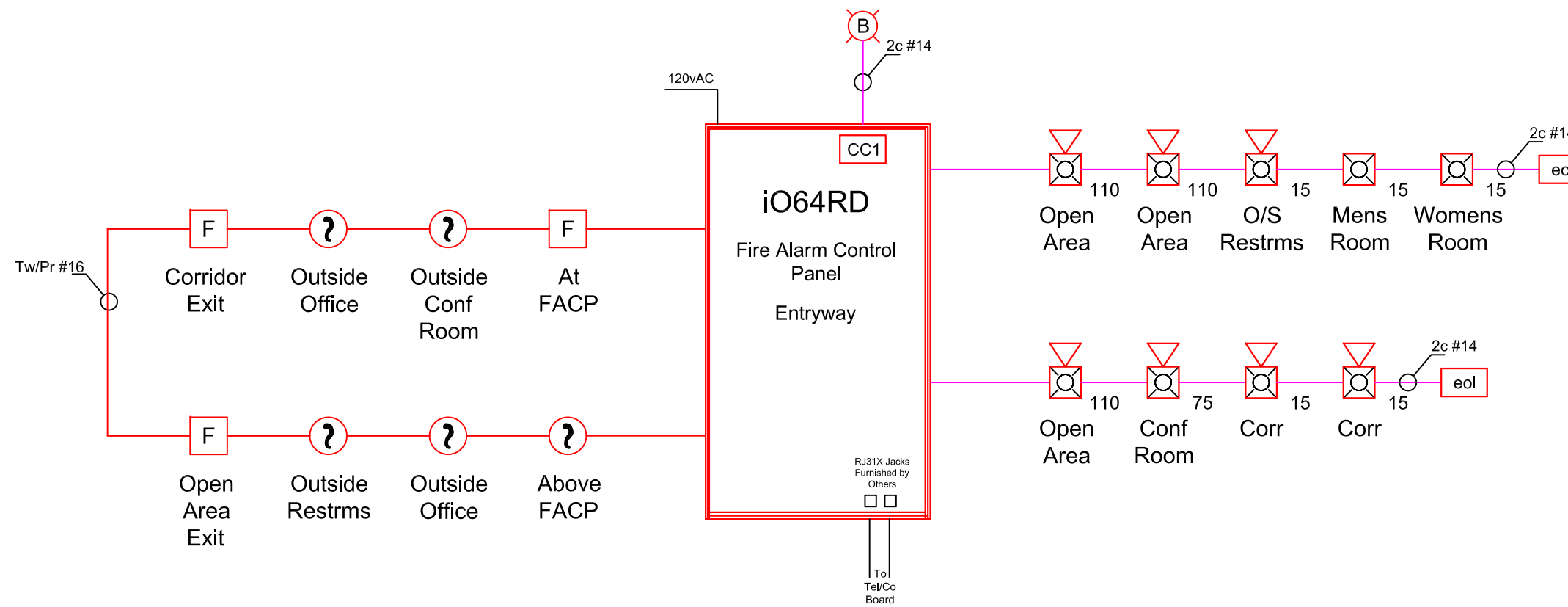
\* NFPA 170 (2009)  
Tables: 6.5, 6.7.1, 6.7.2, & 6.7.3  
\*All Symbols May Not Be Used

**GENERAL NOTES:**

1. ALL WIRING IN ACCORDANCE WITH NATIONAL ELECTRIC CODE, STATE OF MAINE BUILDING CODE (IBC), LOCAL AUTHORITY HAVING JURISDICTION, AND MANUFACTURER'S REQUIREMENTS AND RECOMMENDATIONS.

**WIRING NOTES:**

1. ALL ADDRESSABLE DEVICES MUST BE INSTALLED IN A HEATED LOCATION.
2. ADDRESSABLE CONTROL RELAYS (CR or MCR) SHALL SWITCH ONLY 12/24V (AC / DC) @ 2.0 Amps OR LESS. SWITCHED CIRCUITS REQUIRING HIGHER VOLTAGE SHALL USE AN INTERMEDIATE RELAY LISTED FOR THE PURPOSE.
3. Addressable Loop (SLC) consists of: (1) Twisted NON-Shielded #16 Pair from FACP to 1st device, (1) Twisted NON-Shielded #16 Pair through remaining devices on circuit and return to FACP. Maintain proper separation between feeds and returns.
4. Horn/Strobe circuits consist of a minimum: 2c #14 from the FACP to 1st device, 2c #14 through remaining devices on circuit and return to the FACP. Maintain proper separation between feeds and returns.



DWG NAME: FA-001

51 Baxter Blvd  
Portland, ME 04101  
Fire Alarm Riser Diagram

DWG No: FA-001

**R.B. Allen Co., Inc.**  
P.O. BOX 770  
131 LAKE ST  
NO. HAMPTON NH 03862  
1-800-256-7284



EDWARDS SYSTEM TECHNOLOGY

51 Baxter Blvd  
Portland, Maine 04101  
Fire Alarm Riser Diagram

Regional Electric

JOB NAME:

Contractor:

SCALE:	NTS	TRD	DATE
0	Original Issue	2/17	KMB
REV.	DESCRIPTION	DATE	DRWN: IRWD:

PO No. 00486

51 Baxter Blvd  
Portland, ME 04101  
Fire Alarm Riser Diagram  
DWG No. FA-001