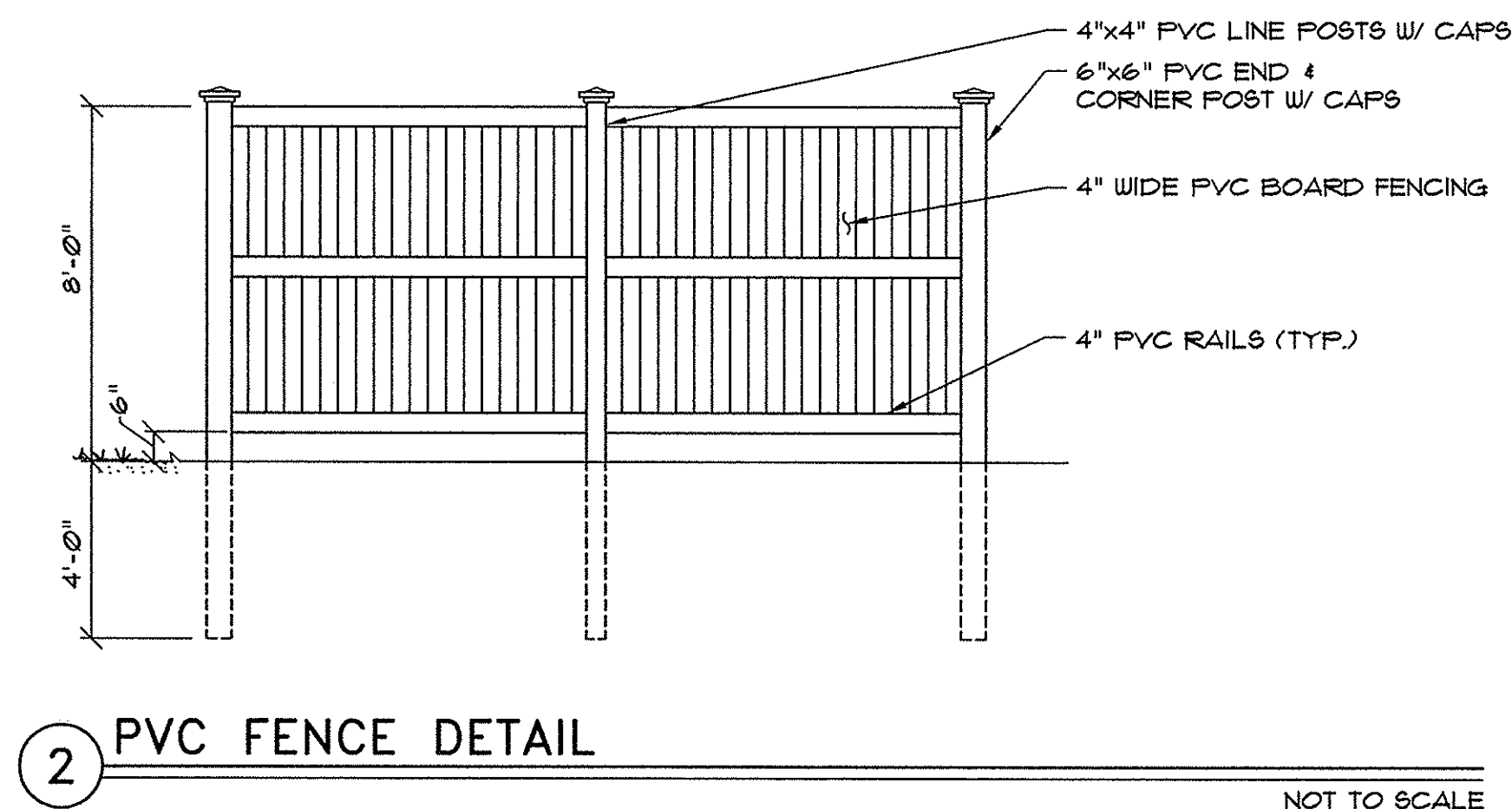
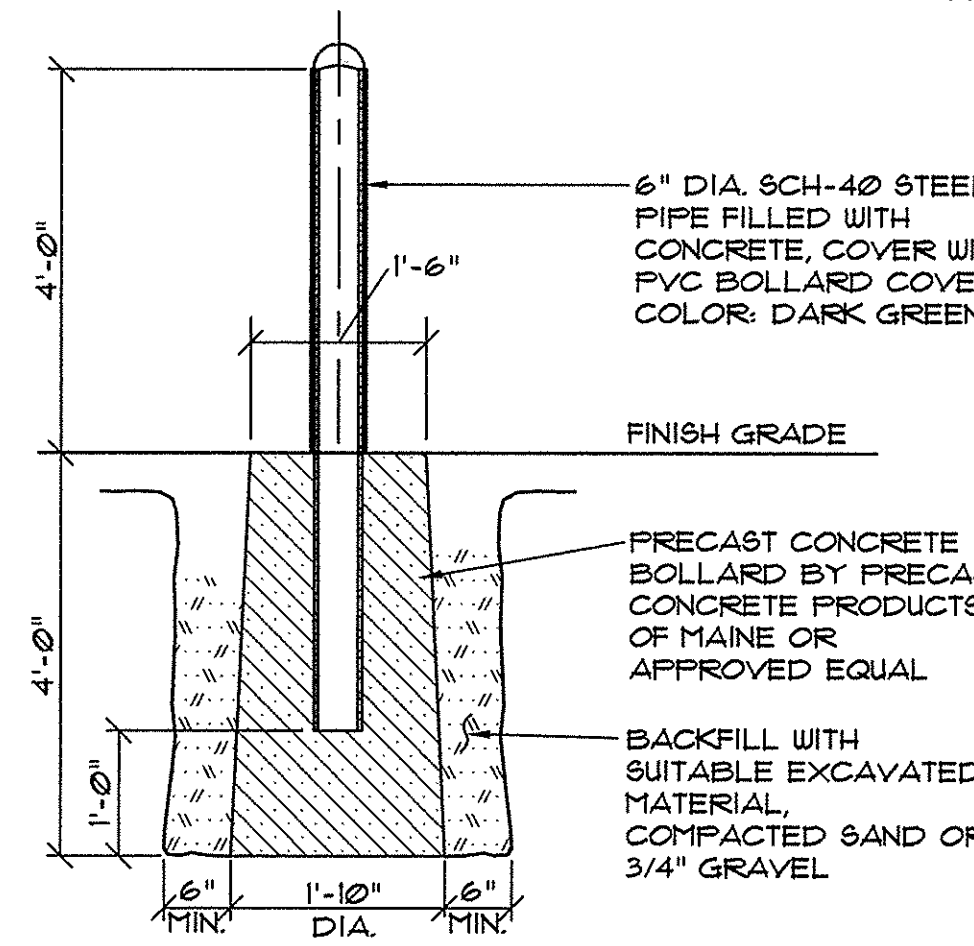


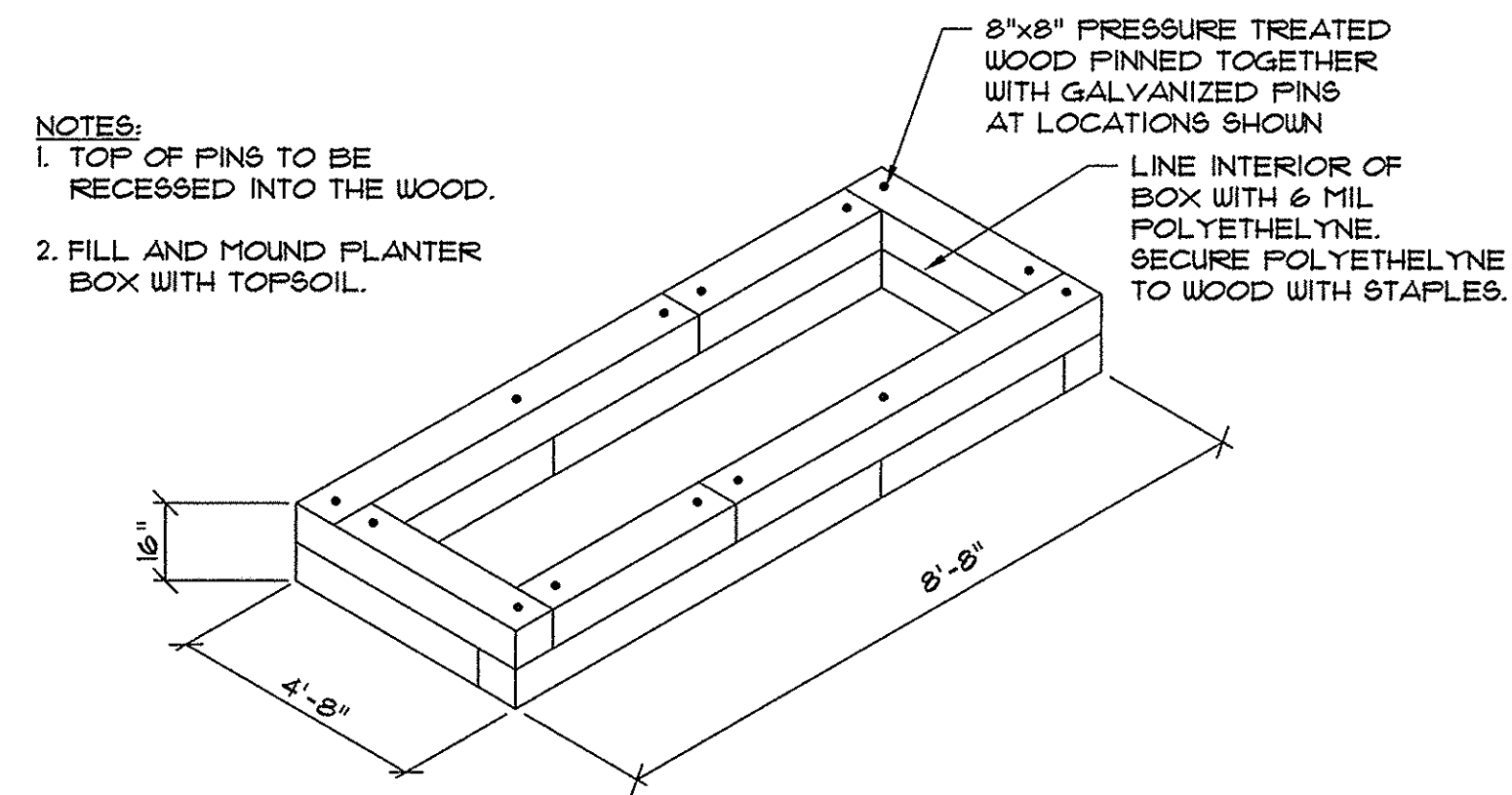
3 CHAINLINK FENCE GATE NOT TO SCALE



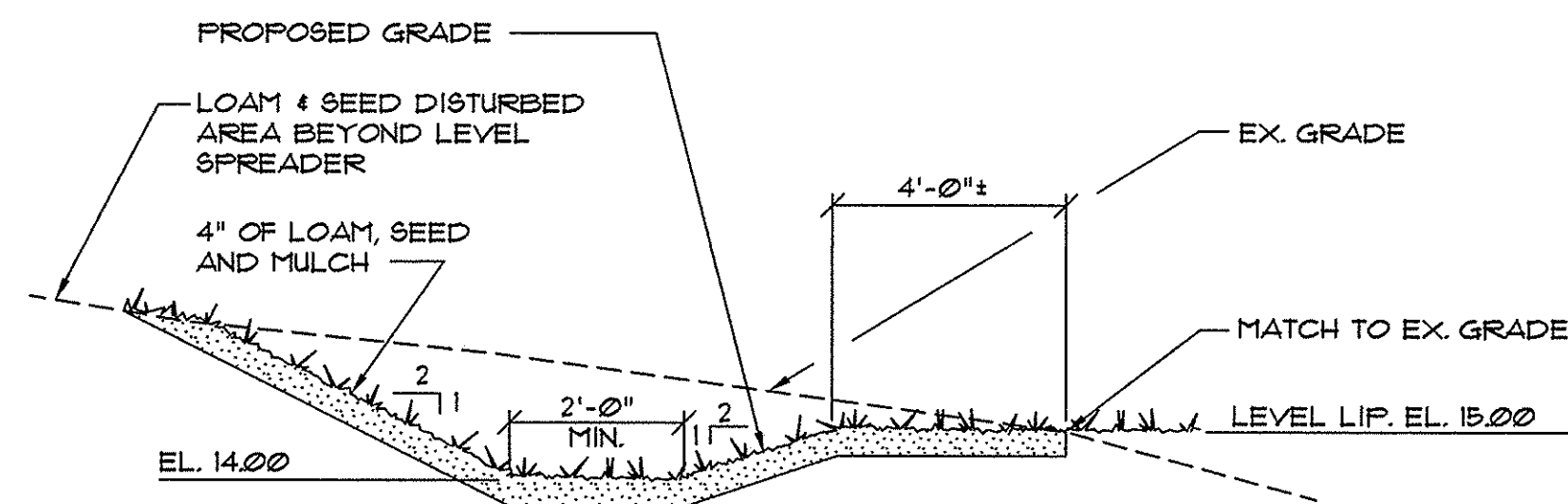
2 PVC FENCE DETAIL NOT TO SCALE



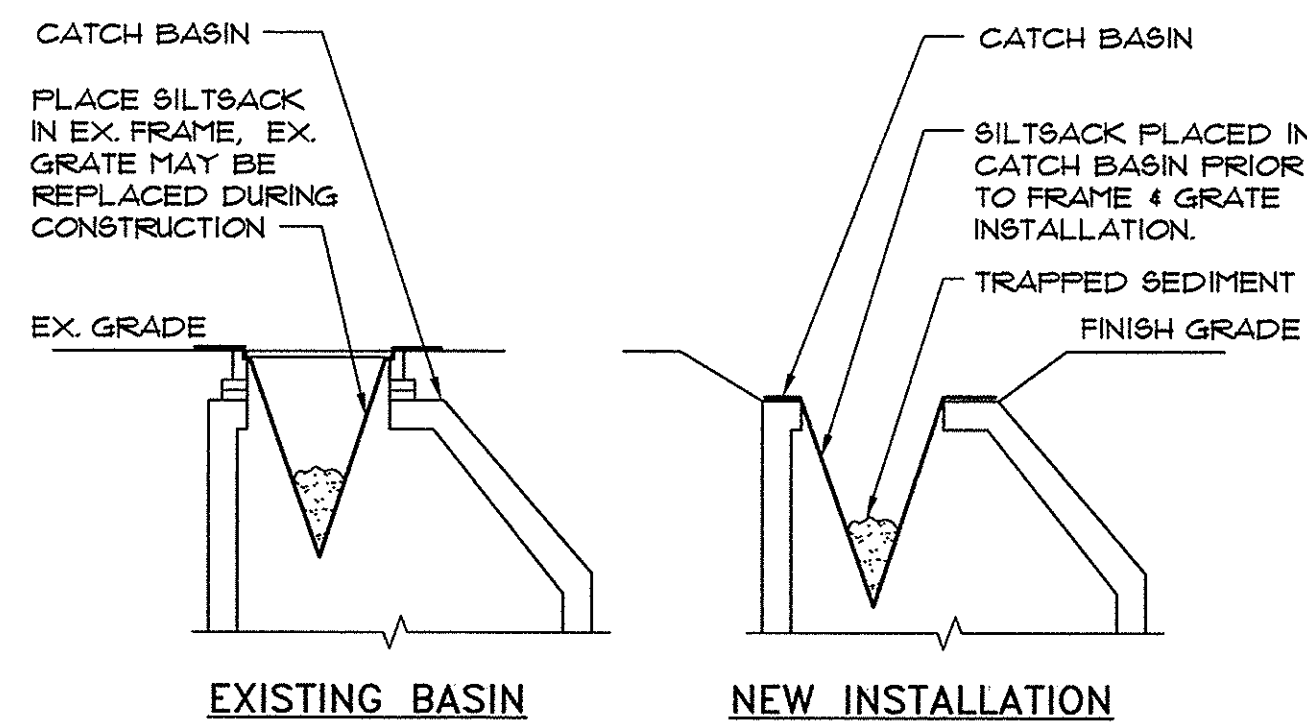
5 STEEL BOLLARD DETAIL NOT TO SCALE



4 PLANTER BOX DETAIL NOT TO SCALE



8 LEVEL SPREADER SECTION NOT TO SCALE

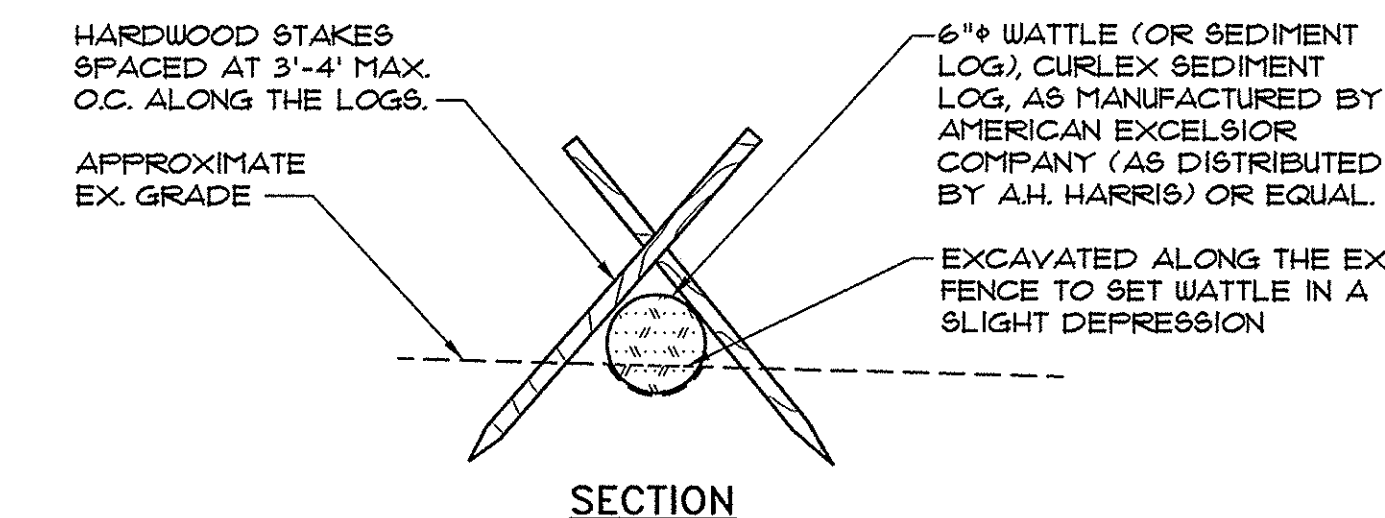


7 CATCH BASIN PROTECTION NOT TO SCALE

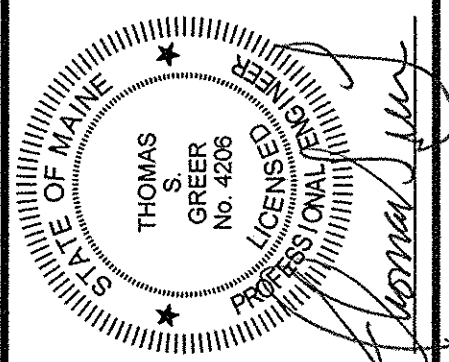
CONSTRUCTION	USE
	PARKING PAVEMENT REPLACEMENT
	PARKING PAVEMENT OVERLAY
	PARKING & DUMPSTER AREA FULL DEPTH CONSTRUCTION
	PLAZA CONCRETE PAVERS
	COURTYARD BARKMULCH
	ALL UNPAVED DISTURBED AREAS LOAM AND SEED

NOTES:
 1. HMA = HOT MIX ASPHALT.
 MDOT = MAINE DEPARTMENT OF TRANSPORTATION.
 2. ALL COURSE THICKNESS AFTER FINAL COMPACTION.

1 SCHEDULE OF SURFACE FINISHES NOT TO SCALE



6 EROSION CONTROL WATTLE DETAIL NOT TO SCALE



REV.	DATE	DESCRIPTION
3	9/20/17	REV'D PER STAFF REVIEW
2	8/11/17	ADDED DETAIL 7 PER STAFF REVIEW
1	7/21/17	REV'D PER STAFF REVIEW

LIBERTY BAY RECOVERY CENTER
 835 FOREST AVENUE
 PORTLAND, ME 04103

SCALE: AS SHOWN
 DATE: APRIL 10, 2017
 PROJECT: 17123

DRN BY: RJS
 DESG BY: TSG
 CHK BY: JLG

SITE IMPROVEMENTS
 343 FOREST AVENUE
 PORTLAND, MAINE