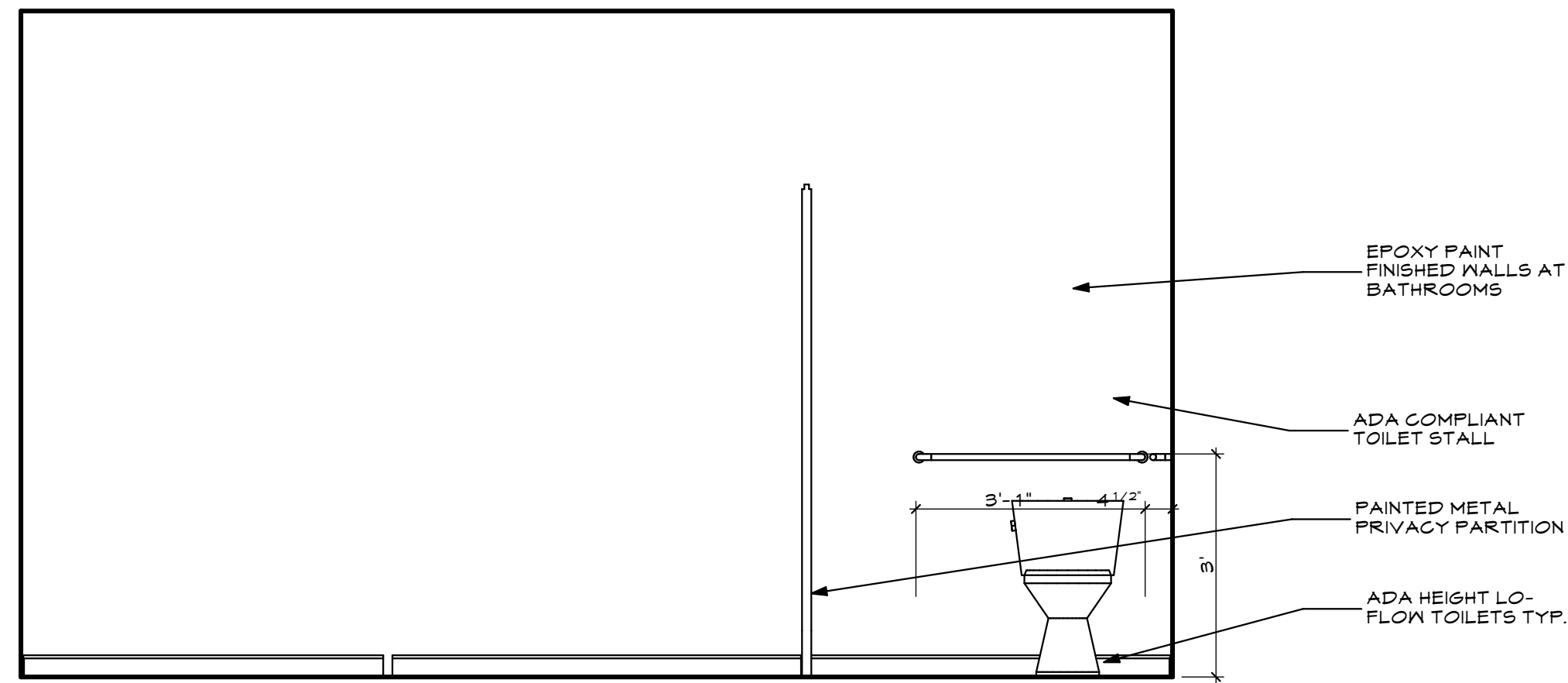


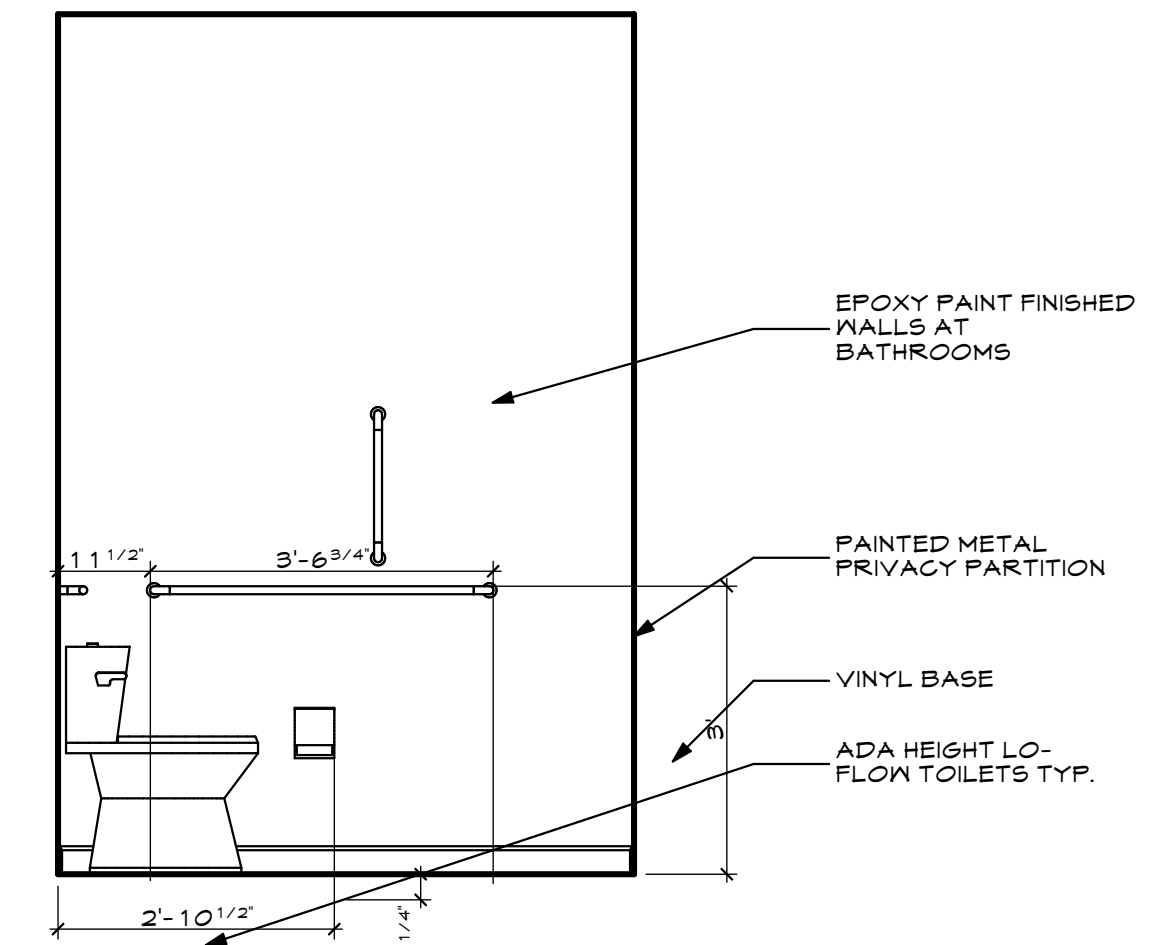
1 INT. ELEV. NEW MENS BATH
SCALE: 1/2" = 1'-0"



3 INT. ELEV. NEW MENS BATH
SCALE: 1/2" = 1'-0"

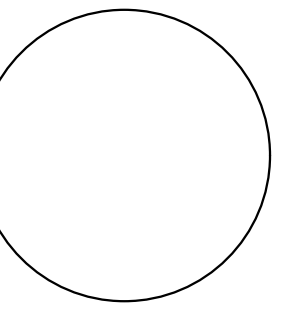


2 INT. ELEV. NEW MENS BATH
SCALE: 1/2" = 1'-0"

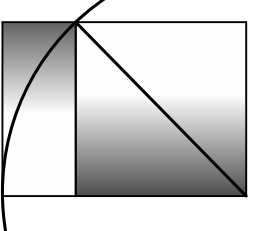


4 INT. ELEV. NEW MENS BATH
SCALE: 1/2" = 1'-0"

LIBERTY BAY
343 FOREST AVENUE PORTLAND, MAINE 04101



WHIPPLE
CALLENDER
ARCHITECTS



136 PLEASANT AVE.
PORTLAND, ME 04103
P 207.775.2696
F 207.775.3631
www.whipplecallender.com

MARK	DATE	DESCRIPTION

DATE: 6/2/17 SFMO
APPLICATION SET
CHECKED BY: JAD
DRAWN BY: CLBC
JOB: LIB 2017

SHEET TITLE:
INT. ELEV.

A5.3

PROGRESS SET - NOT FOR CONSTRUCTION

THIS DRAWING IS AN INSTRUMENT OF SERVICE AND SHALL REMAIN THE PROPERTY OF WHIPPLE CALLENDER ARCHITECTS. IT SHALL NOT BE USED FOR ANY OTHER PURPOSE THAT FOR WHICH IT IS SPECIFICALLY FURNISHED.