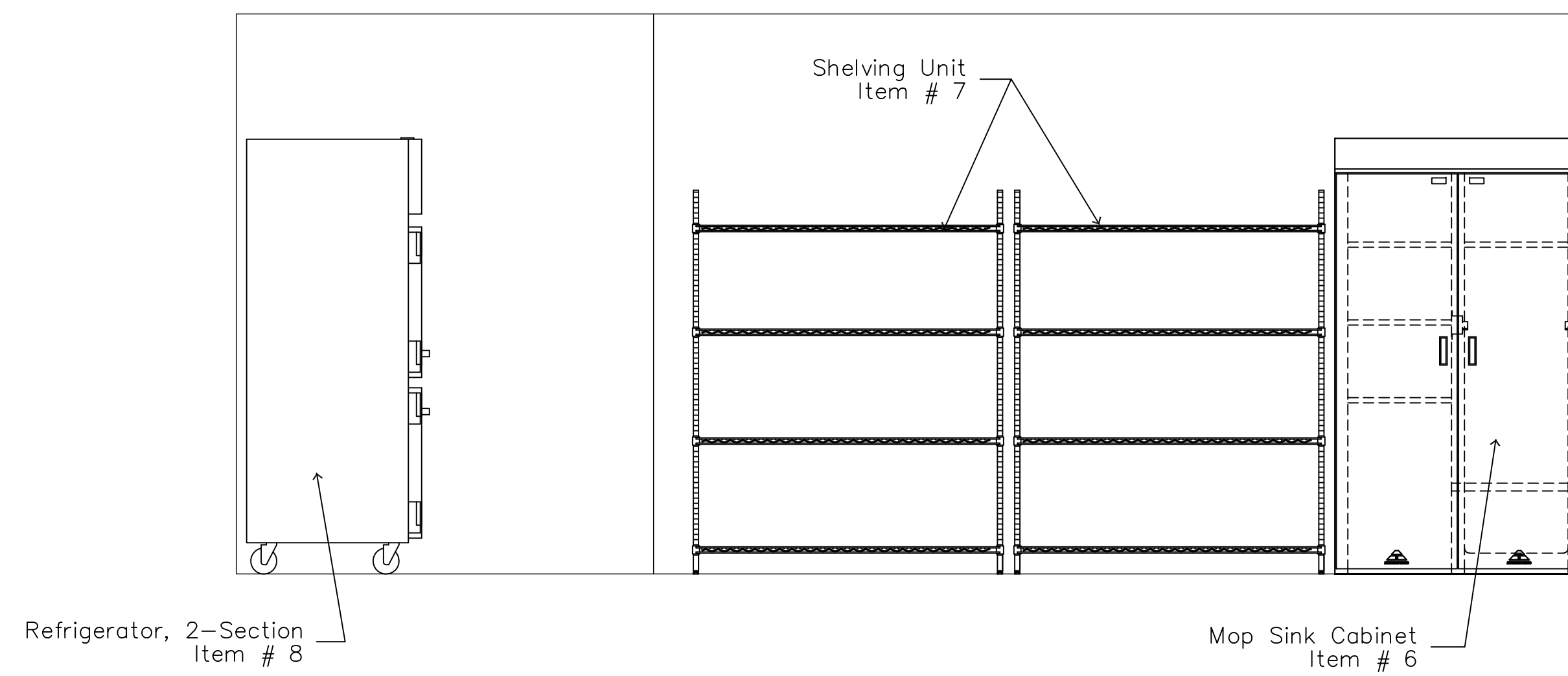


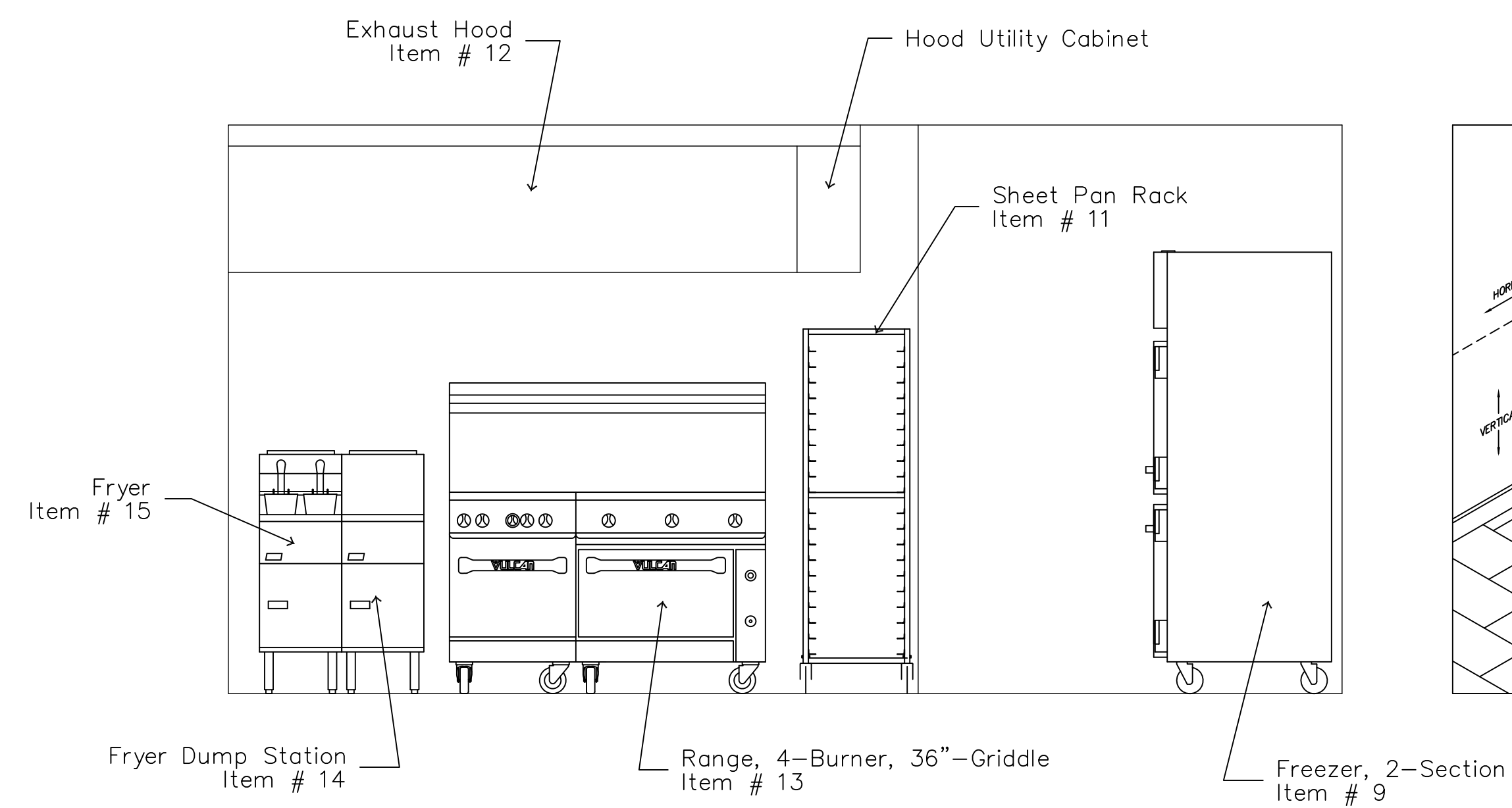
**Pot Sink/Dishwashing Elevation**

SCALE - 1/2" = 1' - 0"



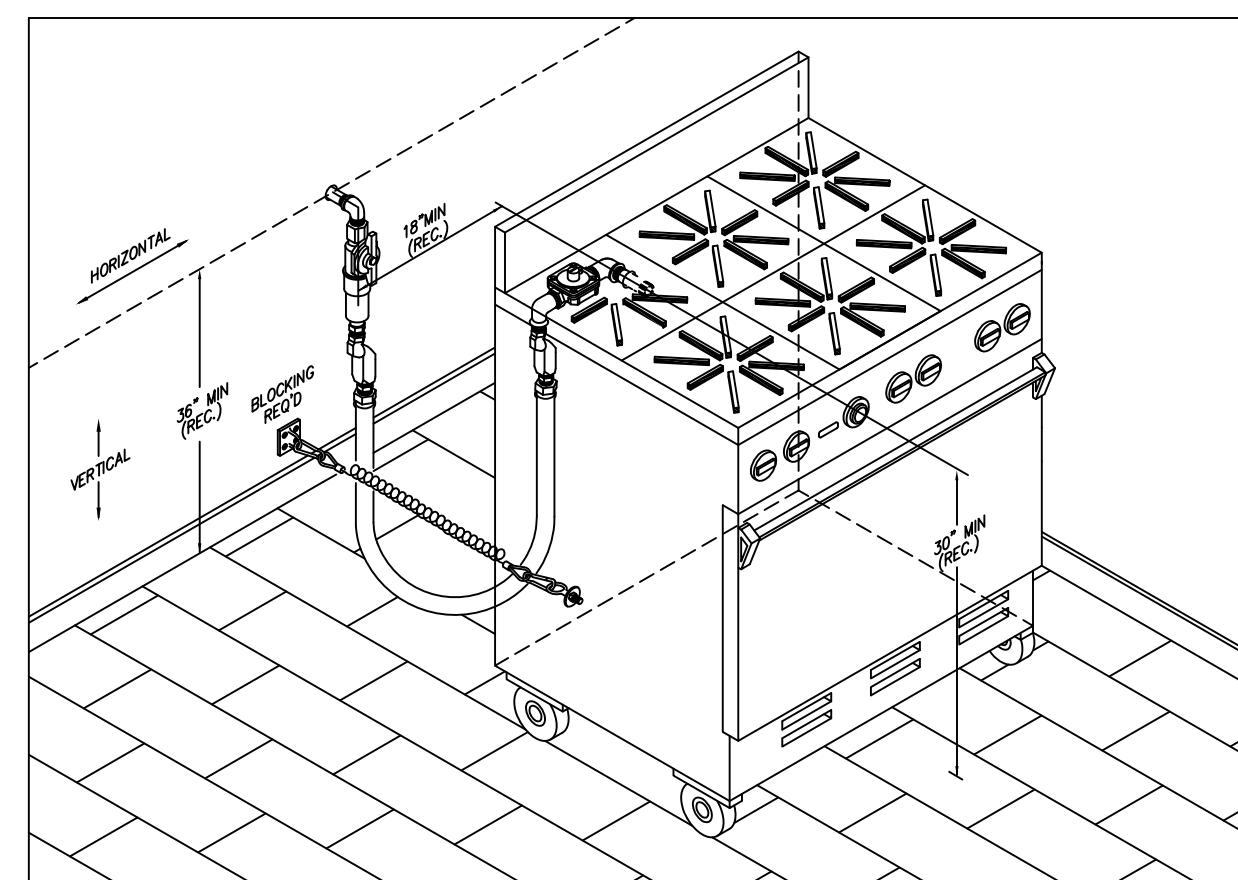
**Pot/Pan Shelving and Mop Sink Elevation**

SCALE - 1/2" = 1' - 0"



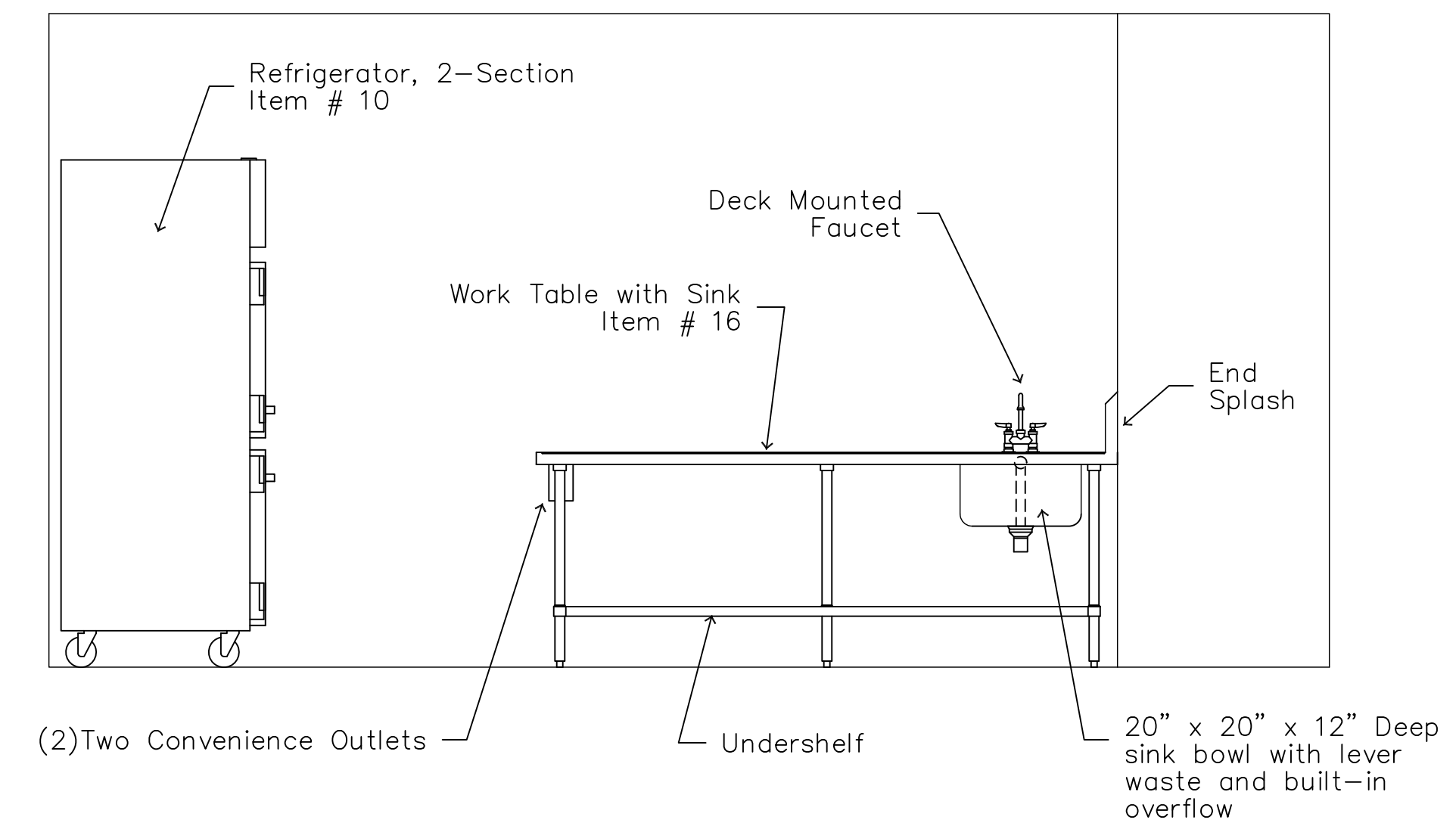
**Cooking Line Elevation**

SCALE - 1/2" = 1' - 0"



**Gas Hose Connection Detail**

Scale: None



**Prep Table with Sink Elevation**

SCALE - 1/2" = 1' - 0"

Foodservice Consultant:  
**TJM Consulting, Inc.**  
 273 Main Street, Suite 5  
 Yarmouth, Maine 04096  
 (207) 847-3337 tjmconsulting@maine.rr.com

Architect:  
**Whipple Callender Architects**  
 136 Pleasant Avenue  
 Portland, Maine 04103

Project:  
**Liberty Bay Kitchen**  
 343 Forest Avenue  
 Portland, Maine 04101

Drawing:  
**Foodservice Equipment  
 Details and Elevations**

Revisions:

Scale: 1/2"=1'-0"  
 Date: June 30, 2017

SHEET:

**FS-5**