


OWNER REVIEW

NAME	DATE

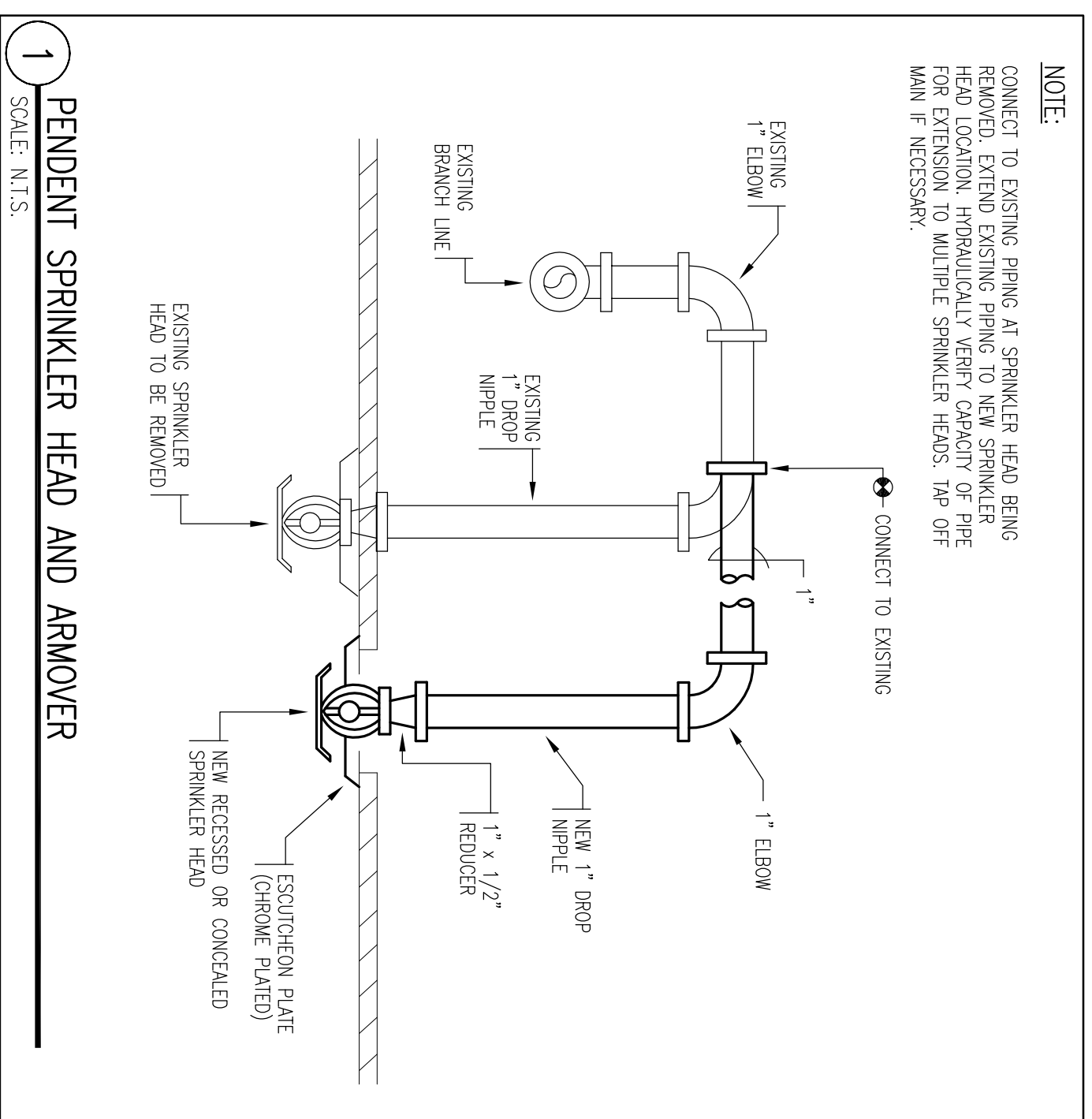
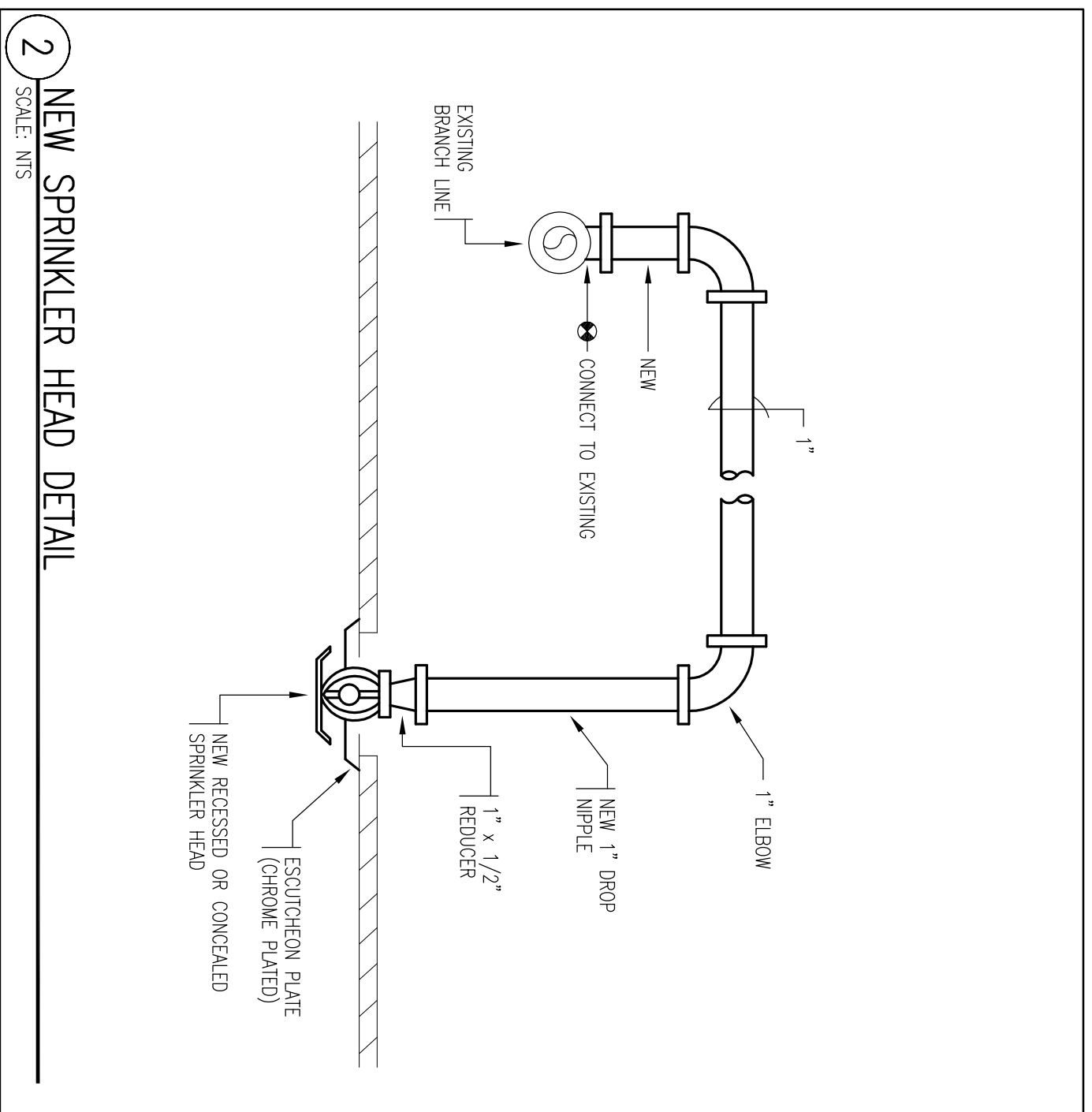
ISSUE LOG		
 = CHANGE		
ISSUE NO.	DATE	DESCRIPTION

 **Banknorth**
 449 Forest Avenue
 Portland, ME 04101-2029

DETAILS

SCALE	NIS
DRAWN BY	MJR
CHECKED BY	PROJ ARCH./ENGR. TJW
PROJ. MGR.	PJB
JOB NO.	08018.00

FP2.01



NOTE:
 CONNECT TO EXISTING BRANCH LINE.
 REMOVE EXISTING SPRINKLER HEAD FROM EXISTING BRANCH LINE AND EXTEND BRANCH LINE TO MULTIPLE SPRINKLER HEADS. TYP. OFF MAIN IF NECESSARY.

1 PENDENT SPRINKLER HEAD AND REMOVAL
 SCALE: N.T.S.

2 NEW SPRINKLER HEAD DETAIL
 SCALE: N.T.S.

JOIST HANGING NOTES:

- HANGERS AND SUPPORTING MEMBERS SHALL BE LOCATED AT PANEL POINTS OF JOISTS.
- CONDUITS AND EQUIPMENT SHALL NOT BE HUNG FROM STEEL DECK OR FROM BRACING ANGLES.
- WHERE POSSIBLE ALL HANGERS SHALL BE SUSPENDED FROM WIDE-FLANGED BEAMS INSTEAD OF BAR JOISTS.
- CONDUITS 2 1/2" AND SMALLER RUNNING PARALLEL TO BAR JOISTS MAY BE HUNG FROM A SINGLE JOIST.
- Piping 3" AND LARGER RUNNING PARALLEL TO BAR JOISTS SHALL BE SUPPORTED AND BENT TO BE HUNG FROM TWO JOISTS AT APPROXIMATELY 5'-0" SPACING.
- Piping 4" AND LARGER IN SIZE RUNNING PERPENDICULAR TO AND SUSPENDED FROM JOISTS SHALL BE SUPPORTED FROM EVERY JOIST AT PANEL POINT.
- PARTS OF CONDUITS SHALL HAVE HANGERS STAGGERED BETWEEN ALTERNATE JOISTS OR SHALL BE HUNG FROM EVERY JOIST.
- THE SAW OF ALL BUILDING TRUSS HANGERS FROM A PANEL POINT SHALL NOT EXCEED 20% OF THE HANGER SPACING. EXCEEDING DETAIL OF PROPOSED METHOD OF HANGING SHALL BE SUBMITTED FOR APPROVAL.
- ECCENTRIC HANGERS (C-CLAMPS) WILL BE ALLOWED FOR PIPING SIZED 1-1/2" AND SMALLER AND OTHER TRACES WHERE THE HANGER SPACING EXCEEDS THE TOTAL POINT TO POINT SPACING OF JOISTS. CONCENTRIC HANGERS SHALL BE USED FOR JOISTS ON TOP OR BOTTOM CHORD AT PANEL POINTS ONLY.
- ALL WELDING OF JOISTS SHALL BE PARALLEL TO JOIST CHORDS.
- COORDINATE HANGING LOCATIONS AND DETAILS WITH ALL OTHER TRADES. ATTEND A PRE-HANGING CONFERENCE WITH GENERAL CONTRACTOR, THE ARCHITECT, AND ALL OTHER TRADES TO REVIEW HANGING METHODS AND COORDINATE HANGING LOCATIONS.
- SUBMIT ALTERNATE METHODS FOR HANGING TO ARCHITECT FOR REVIEW AND DO NOT USE WITHOUT WRITTEN APPROVAL FROM ARCHITECT.

JOIST HANGING DETAILS
 SCALE: NIS

DETAIL "A" CONCENTRIC (AND ECCENTRIC) HANGERS
 (ECCENTRIC HANGERS ONLY ALLOWED FOR LOUVERS OR 30 POUNDS OR LESS)

DETAIL "B" HANGING FROM BOTTOM CHORD

DETAIL "A" CONCENTRIC (AND ECCENTRIC) HANGERS
 (ECCENTRIC HANGERS ONLY ALLOWED FOR LOUVERS OR 30 POUNDS OR LESS)

DETAIL "B" HANGING FROM BOTTOM CHORD