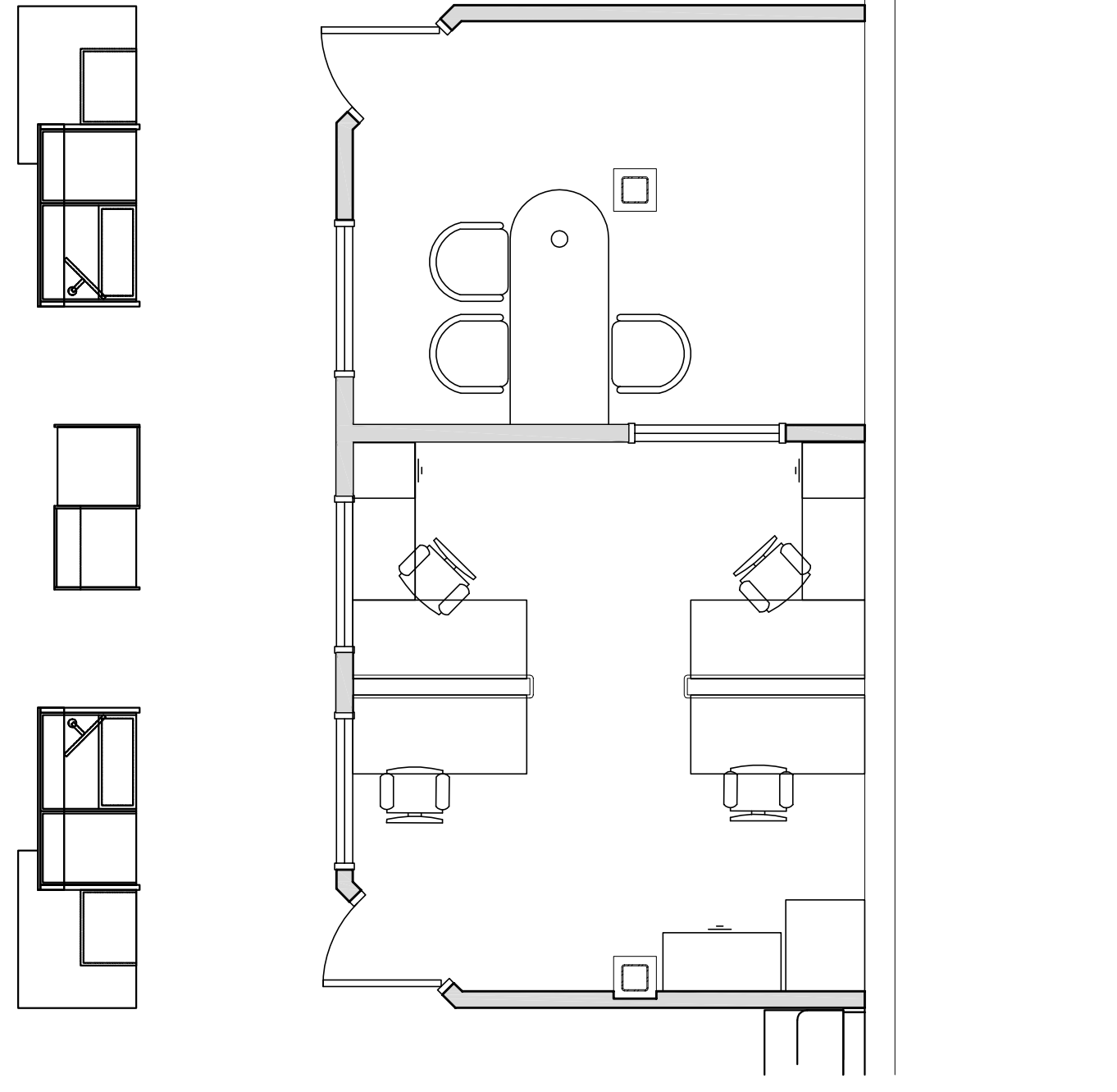


SCALE: 1/4" = 1'-0"

REFERENCED FROM: CS/09.10

DATE: 01/08/2016

ISSUED FOR CONSTRUCTION

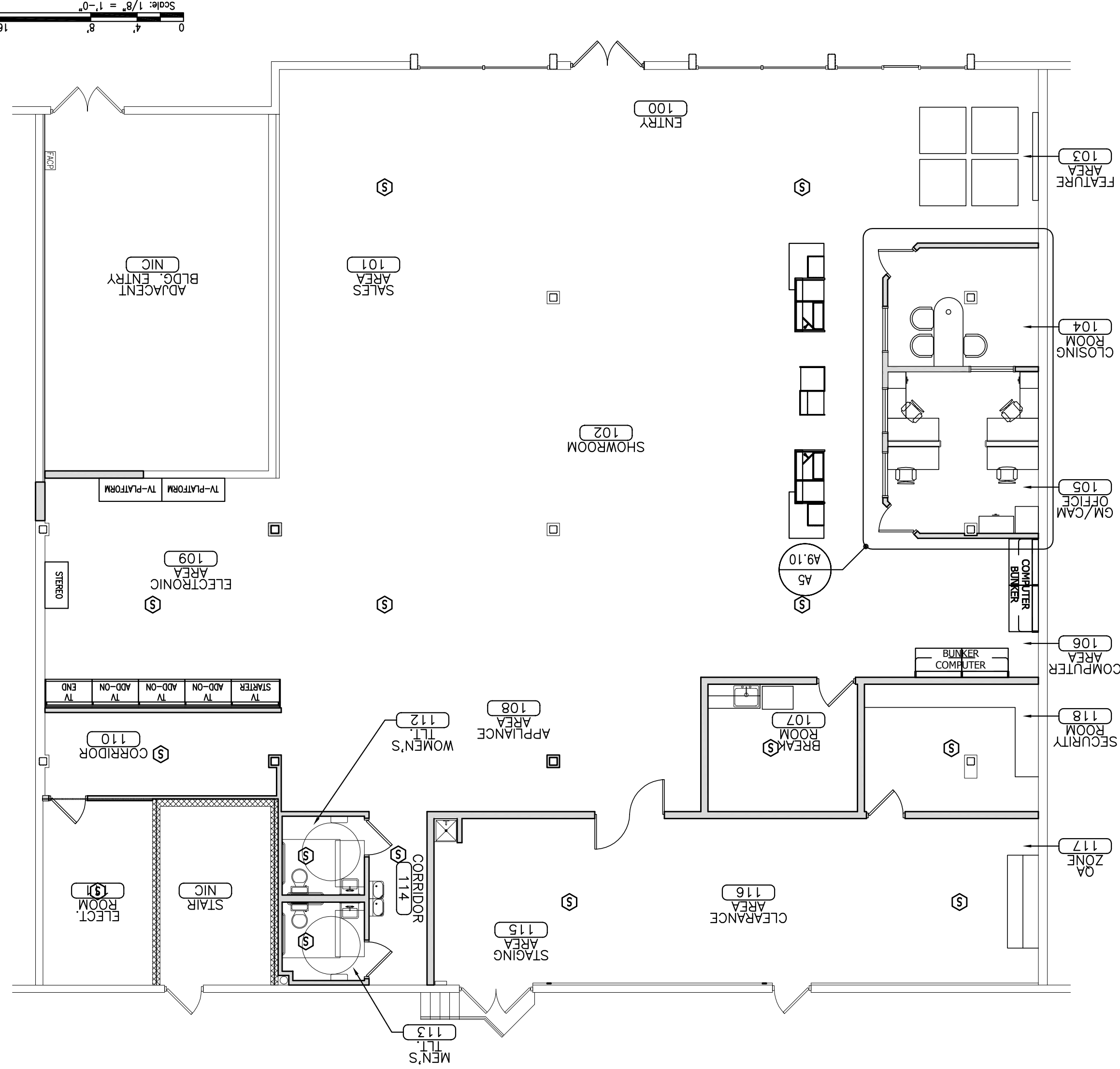


SCALE: 1/8" = 1'-0"

REFERENCED FROM:

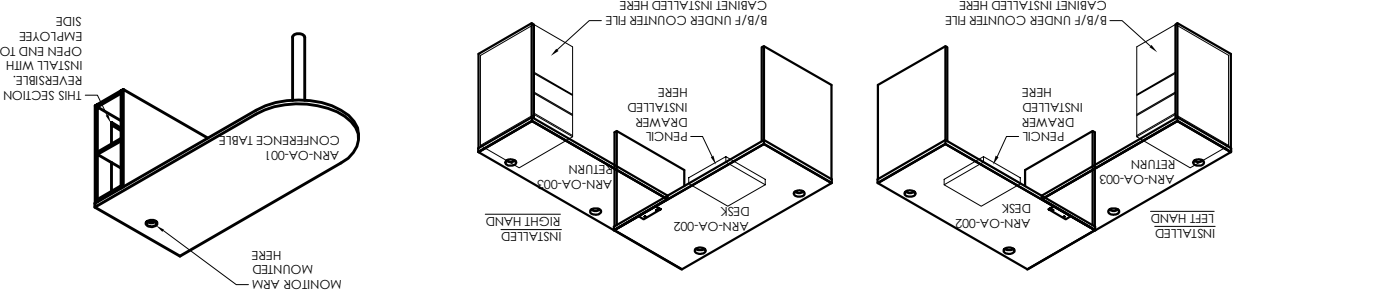
NOTE: THESE DRAWINGS HAVE BEEN UPDATED TO THE CURRENT SPECIFICATIONS FOR AN ARON'S SALES AND LEASE OWNERSHIP STORE. DEVIATION FROM THESE PLANS IS NOT PERMITTED WITHOUT EXPRESS WRITTEN PERMISSION.

FURNITURE AND FIXTURES SHOWN FOR REFERENCE PURPOSES ONLY - COORDINATE FINAL LAYOUT WITH OWNER



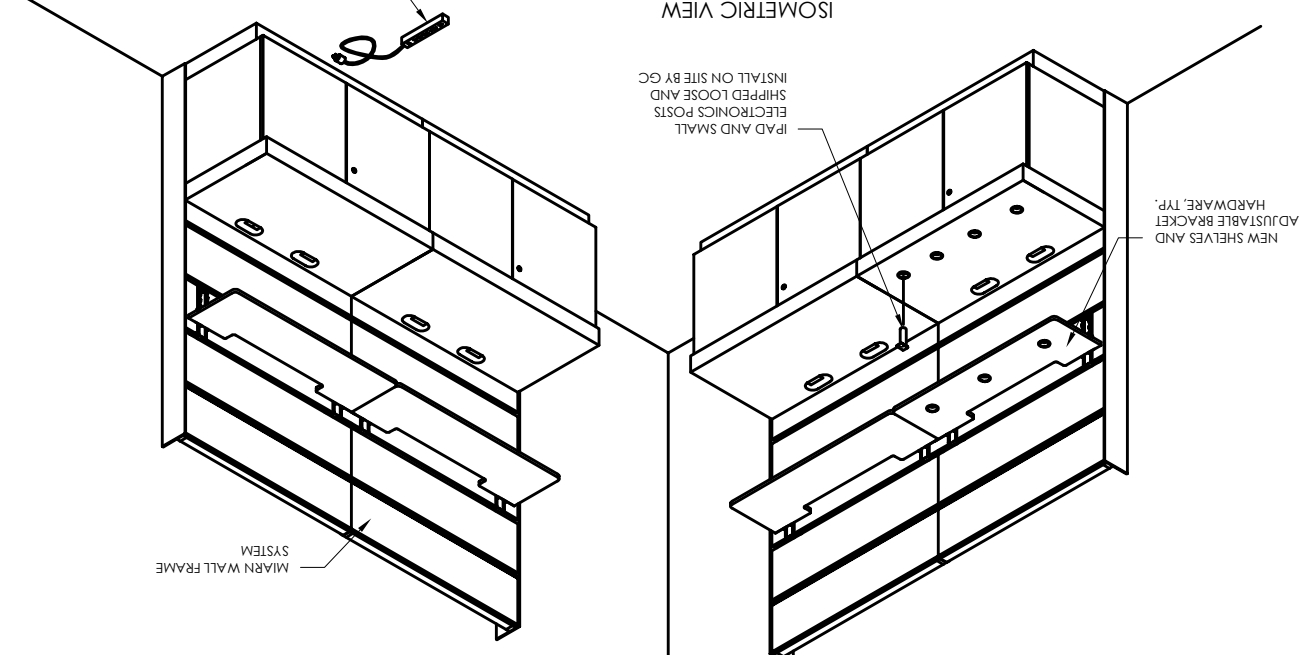
SCALE: N.T.S.

REFERENCED FROM:



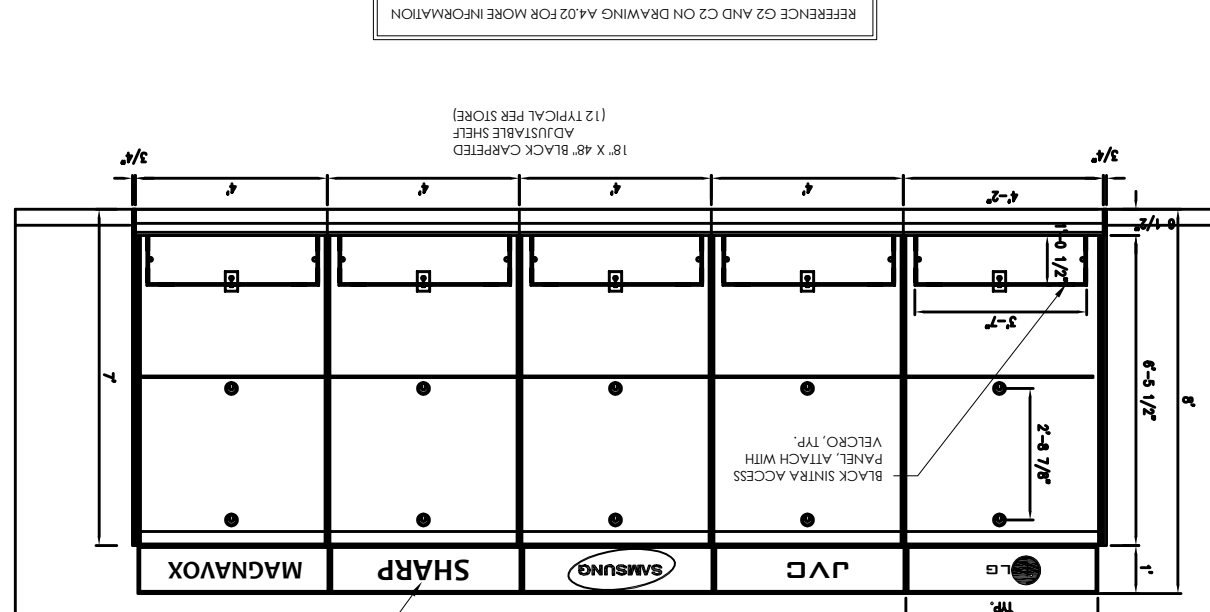
SCALE: N.T.S.

REFERENCED FROM:



SCALE: N.T.S.

REFERENCED FROM:



SCALE: N.T.S.

REFERENCED FROM:

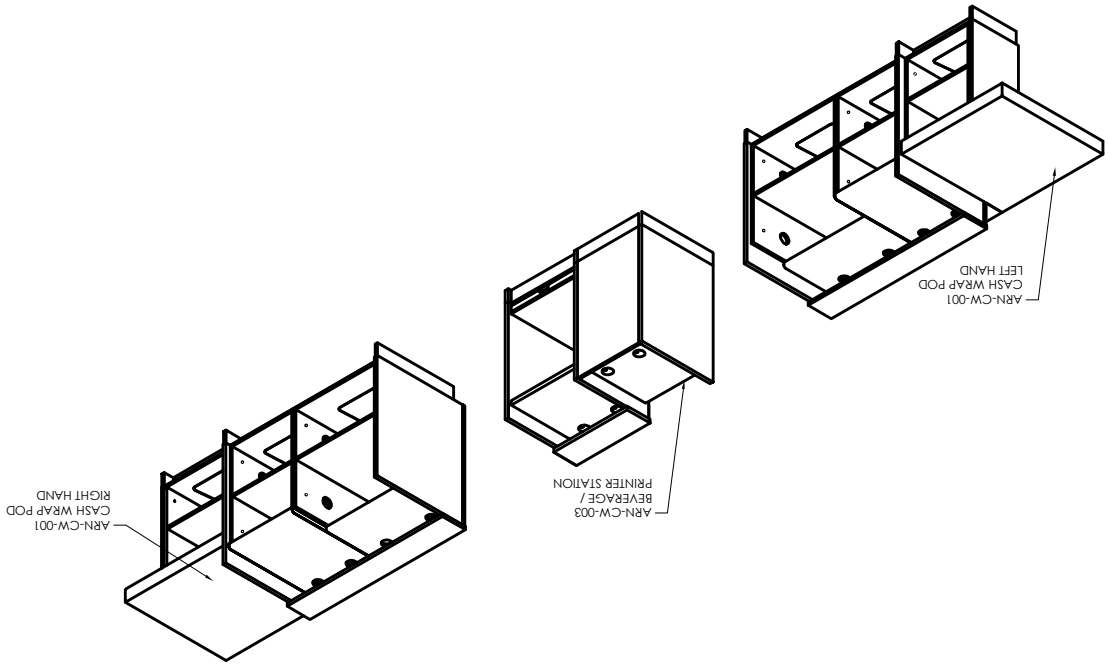


Table with columns: TAG, MODEL, NUMBER, CATEGORY, FINISH, SITE, and DESCRIPTION. It lists various architectural items and materials used in the project.

Table with columns: TAG, MODEL, NUMBER, CATEGORY, FINISH, SITE, and DESCRIPTION. It continues the list of architectural items and materials.

Table with columns: TAG, MODEL, NUMBER, CATEGORY, FINISH, SITE, and DESCRIPTION. It continues the list of architectural items and materials.

Table with columns: TAG, MODEL, NUMBER, CATEGORY, FINISH, SITE, and DESCRIPTION. It continues the list of architectural items and materials.

Table with columns: TAG, MODEL, NUMBER, CATEGORY, FINISH, SITE, and DESCRIPTION. It continues the list of architectural items and materials.

REVISIONS DRAWING PROJECT OWNER DESIGNER

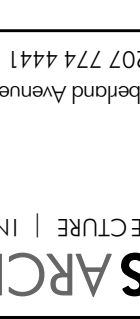
FURNITURE AND FIXTURE PLAN AND SCHEDULE

ARON'S FIT-UP STORE #: F0810

449 FOREST AVE. PORTLAND, MAINE 04101

309 EAST PACES FERRY ROAD ATLANTA, GEORGIA 30305 PHONE: (678) 402-3000

434 CUMBERLAND AVENUE PORTLAND, ME 04101 PHONE: (207) 774-4441 FAX: (207) 774-4441 WWW.CWSARCH.COM



A9.10 DRAWING NUMBER

SCALE: 1/8" = 1'-0"

SCALE: 1/4" = 1'-0"

SCALE: 1/8" = 1'-0"

SCALE: 1/8" = 1'-0"

SCALE: 1/8" = 1'-0"

SCALE: 1/8" = 1'-0"

SCALE: 1/8" = 1'-0"