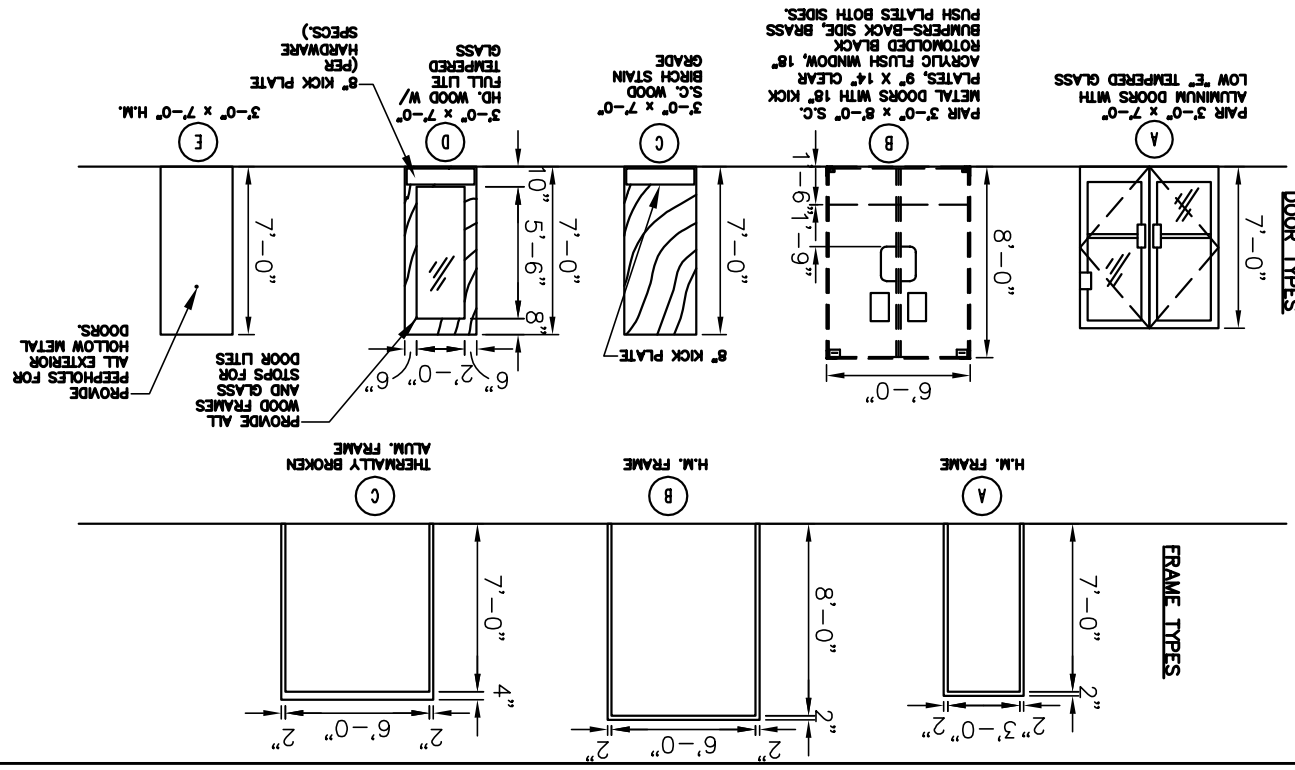


NO.	DOOR	DOOR MATERIAL	FINISH	DETAIL	JAMB	SILL	SET	REMARKS
100	3'-0" X 7'-0" PER	ALUM.	MATCH EXISTING	G2/A8.01	G4/A8.01	G2/A8.01	C	
103	EXISTING	EXISTING	EXISTING					
104	3'-0" X 7'-0"	HD. WOOD	D	AS/A8.01	ES/A8.01	A	4	BIRCH-FULL LITE, TEMPERED GLASS
105	3'-0" X 7'-0"	HD. WOOD	D	AS/A8.01	ES/A8.01	A	4	BIRCH-FULL LITE, TEMPERED GLASS
107	3'-0" X 7'-0"	S.C. WOOD	C	AS/A8.01	ES/A8.01	A	7	BIRCH
111	3'-0" X 7'-0"	S.C. WOOD	C	AS/A8.01	ES/A8.01	A	10	45 MIN. FIRE RATED DOOR ASSEMBLY
112	3'-0" X 7'-0"	S.C. WOOD	C	AS/A8.01	ES/A8.01	A	6	BIRCH PROVIDE H/C MEN SIGNAGE
113	3'-0" X 7'-0"	S.C. WOOD	C	AS/A8.01	ES/A8.01	A	6	BIRCH PROVIDE H/C MEN SIGNAGE
115	EXISTING	EXISTING	EXISTING					
116A	(2)3'-0" X 8'-0"	S.C. WOOD	B	AS/A8.01	ES/A8.01	B	5	
116B	EXISTING	EXISTING	EXISTING					
118	3'-0" X 7'-0"	H.M.	E	AS/A8.01	ES/A8.01	A	8	

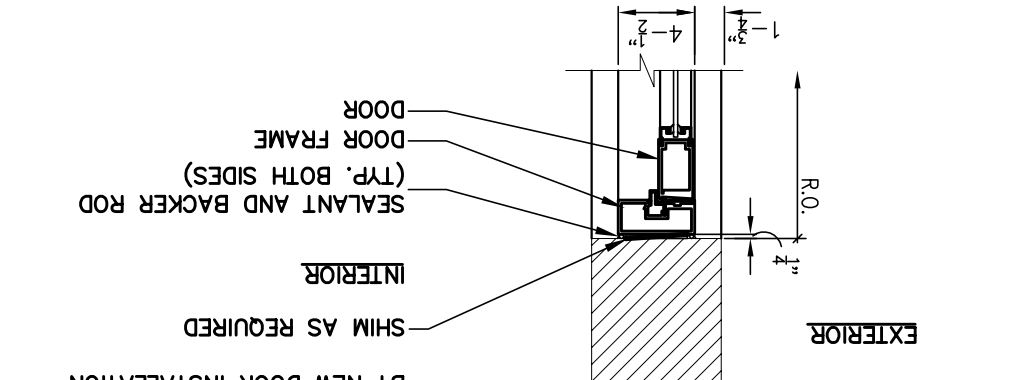
1. DOOR HARDWARE SHALL COMPLY WITH ADA SECTION 4.13.9 HARDWARE SHALL NOT REQUIRE TIGHT GRASPING, TIGHT PINCHING, OR TWISTING OF THE HANST TO OPERATE
2. LOCKS ON DOORS MEANS OF EGRESS SHALL NOT REQUIRE THE USE OF A KEY, SPECIAL DEVICE OR SPECIAL KNOWLEDGE TO OPEN IN THE DIRECTION OF EGRESS. DOORS SHALL BE CAPABLE OF BEING OPENED W/ ONLY ONE RELEASING OPERATION.



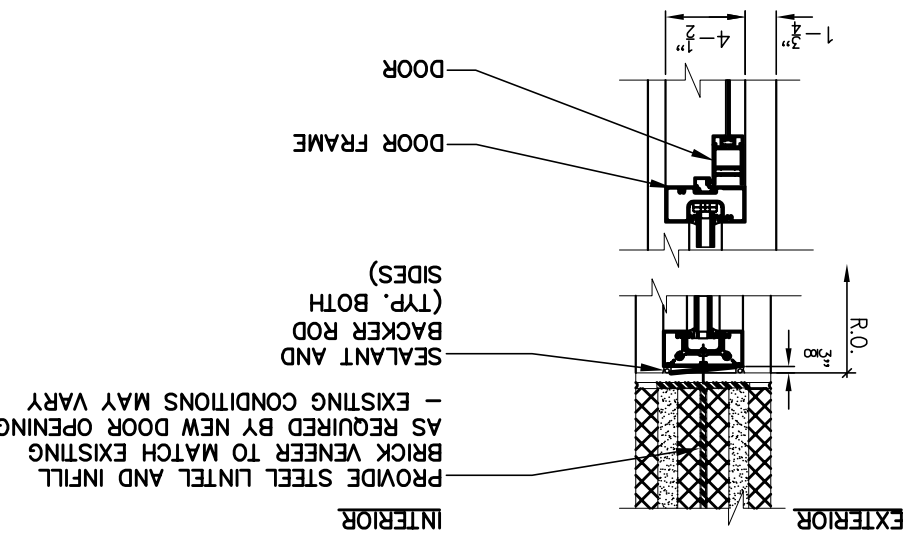
A2 DOOR AND DOOR FRAME ELEVATIONS
SCALE: N.T.S.
REFERENCED FROM:

E4 NOT USED
SCALE:
REFERENCED FROM:

G4 ALUM. STOREFRONT DOOR JAMB DETAIL
SCALE: N.T.S.
REFERENCED FROM:



G2 ALUM. STOREFRONT DOOR HEAD DETAIL
SCALE: N.T.S.
REFERENCED FROM:



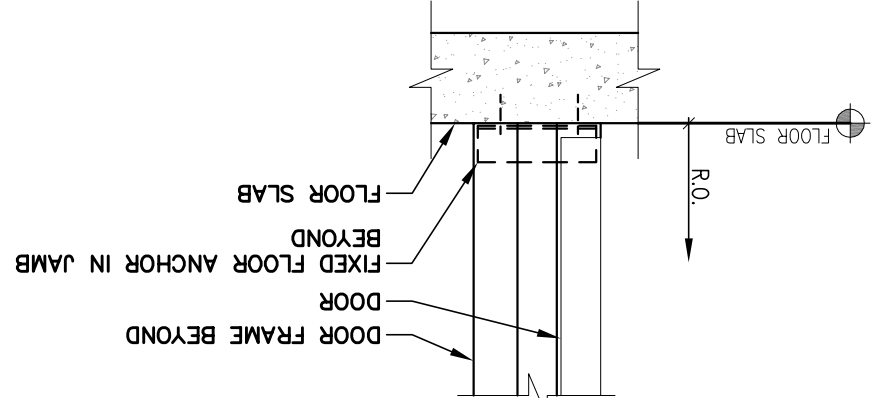
E2 NOT USED
SCALE:
REFERENCED FROM:

DETAIL - HEAD ALUM. DOOR

GROUP	ITEM	MANUFACTURER	MODEL	QTY	UNIT	REMARKS
Group 1 - Exterior Part Doors - Entry Doors	Door Numbers 100					
Group 2 - Not Applicable to this Project						
Group 3 - Not Applicable to this Project						
Group 4 - Interior Single Leaf Doors - Office Room	Door Numbers 104 and 105					
Group 5 - Interior Single Leaf Doors - Electrical Room	Door Numbers 111	Manufacturer	Hager	3	Hinges	1191 X 606
Group 6 - Not Applicable to this Project						
Group 7 - Interior Part Doors - Break Room	Door Numbers 107	Manufacturer	Hager	2	Lockset	MS180A X 606
Group 8 - Interior Single Leaf Doors - Security Closet	Door Numbers 118	Manufacturer	Hager	1	Hinges	1191 X NRP X 606
Group 9 - Not Applicable to this Project						
Group 10 - Interior Single Leaf Doors - Classroom	Door Numbers 119	Manufacturer	Hager	3	Hinges	7KR1 150 X 606 - Classroom
Group 11 - Existing Exterior - Classroom Area	Door Numbers 115 and 116B	Manufacturer	Hager	1	Lockset	7KR1 150 X 606 - Classroom
Group 12 - Existing Exterior Door	Door Numbers 103					

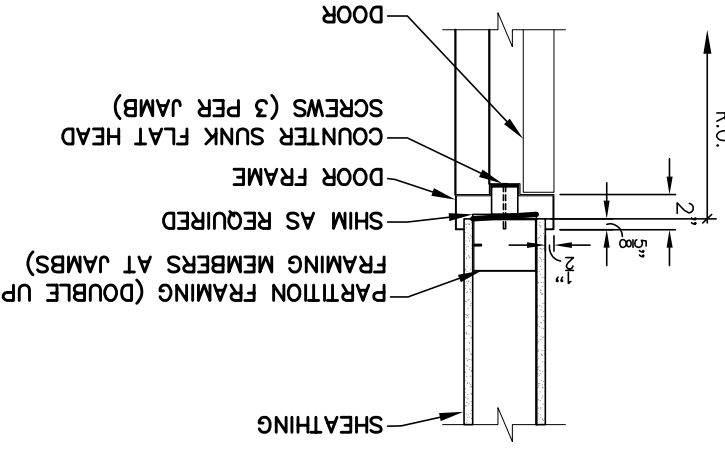
A4 DOOR HARDWARE
SCALE: N/A
REFERENCED FROM:

E5 NOT USED
SCALE:
REFERENCED FROM:

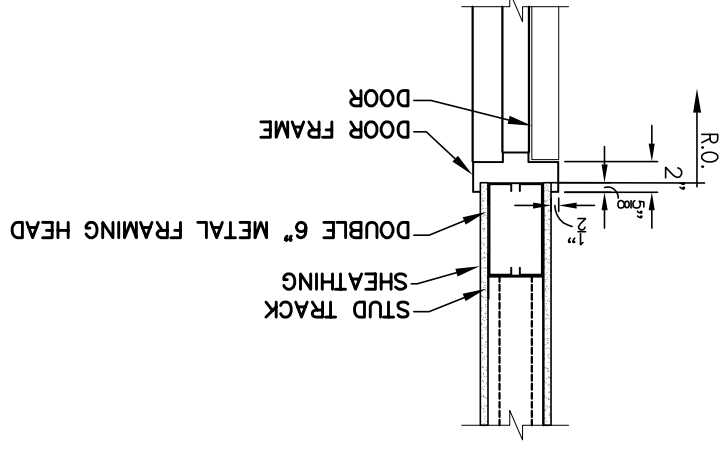


E5 NOT USED
SCALE:
REFERENCED FROM:

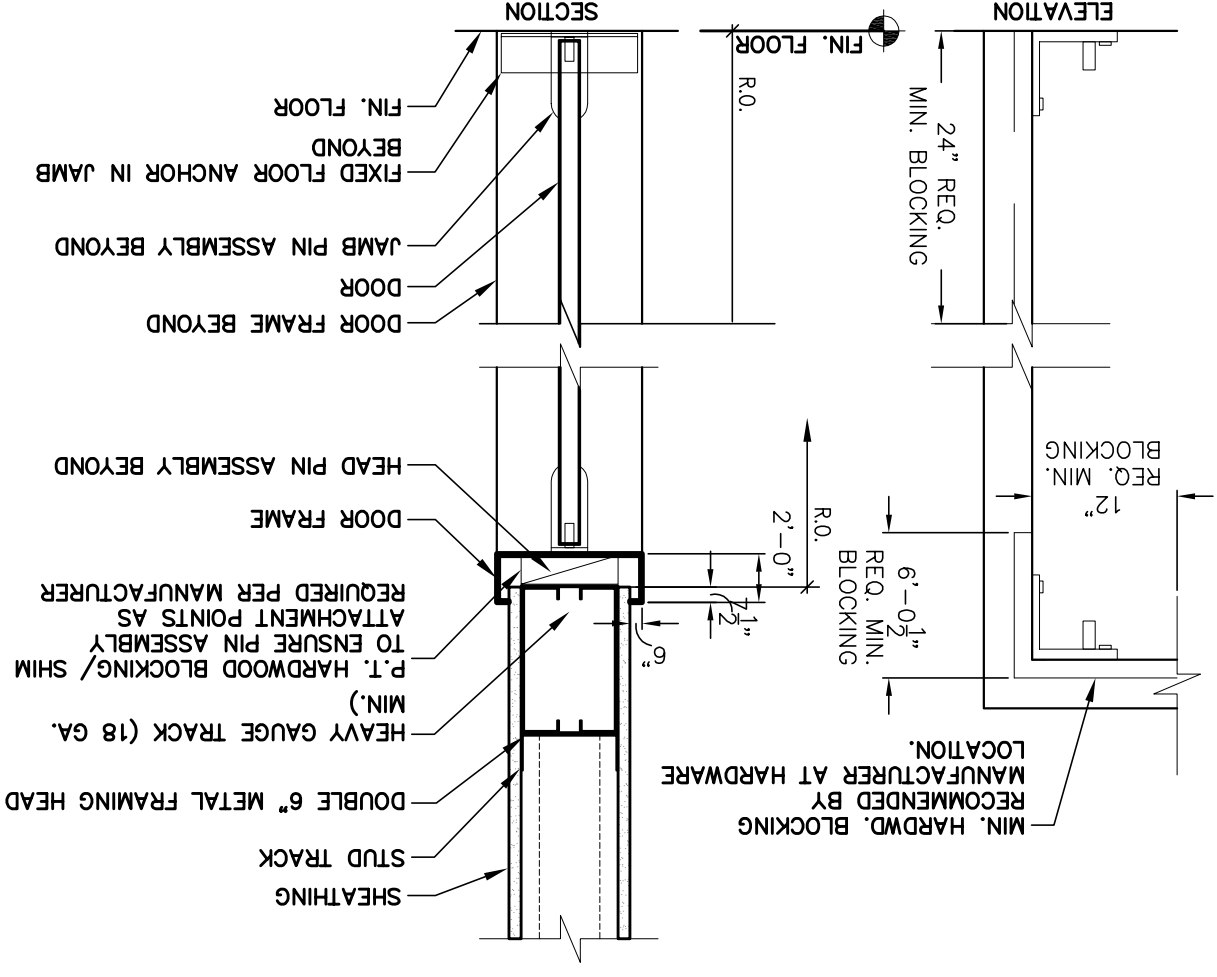
G5 TYPICAL DOOR JAMB DETAIL
SCALE: N.T.S.
REFERENCED FROM:



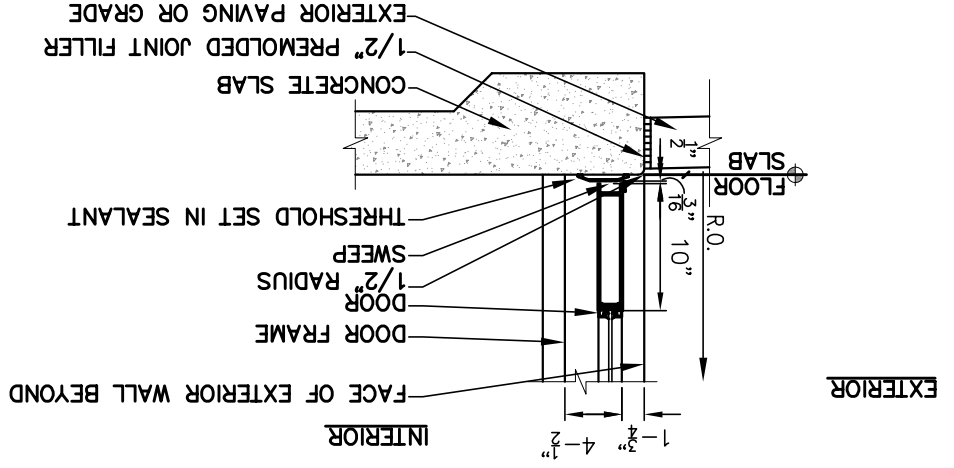
A5 TYPICAL DOOR HEAD DETAIL
SCALE: N.T.S.
REFERENCED FROM:



G5 DOOR HEAD AND SILL DETAILS
SCALE: N.T.S.
REFERENCED FROM:



G4 ALUM. STOREFRONT DOOR SILL DETAIL
SCALE: N.T.S.
REFERENCED FROM:



REVISIONS

NO.	DATE	DESCRIPTION
1	01/08/2016	ISSUED FOR CONSTRUCTION

DRAWING

DOOR SCHEDULE, ELEVATIONS AND DETAILS
AARON'S FIT-UP STORE #: F0810
449 FOREST AVE. PORTLAND, MAINE 04101
CWS PROJECT NUMBER: 15076

OWNER

AARON'S
309 EAST PACES FERRY ROAD ATLANTA, GEORGIA 30305 PHONE: (678) 402-3000

DESIGNER

CWS ARCHITECTS
ARCHITECTURE | INTERIOR DESIGN
434 CUMBERLAND AVENUE PORTLAND, ME 04101
PHONE: 207.774.4441
WWW.CWSARCH.COM



CWS ARCHITECTS
ARCHITECTURE | INTERIOR DESIGN
434 Cumberland Avenue Portland, ME 04101
OFFICE: 207.774.4441
CWSARCH.COM

DATE: 01/08/2016
SCALE: AS NOTED
ISSUED FOR CONSTRUCTION

SCALE: N.T.S.
REFERENCED FROM:

SCALE: N.T.S.
REFERENCED FROM:

SCALE: N.T.S.
REFERENCED FROM:

SCALE: N.T.S.
REFERENCED FROM:

SCALE: N.T.S.
REFERENCED FROM:

SCALE: N.T.S.
REFERENCED FROM:

SCALE: N.T.S.
REFERENCED FROM: