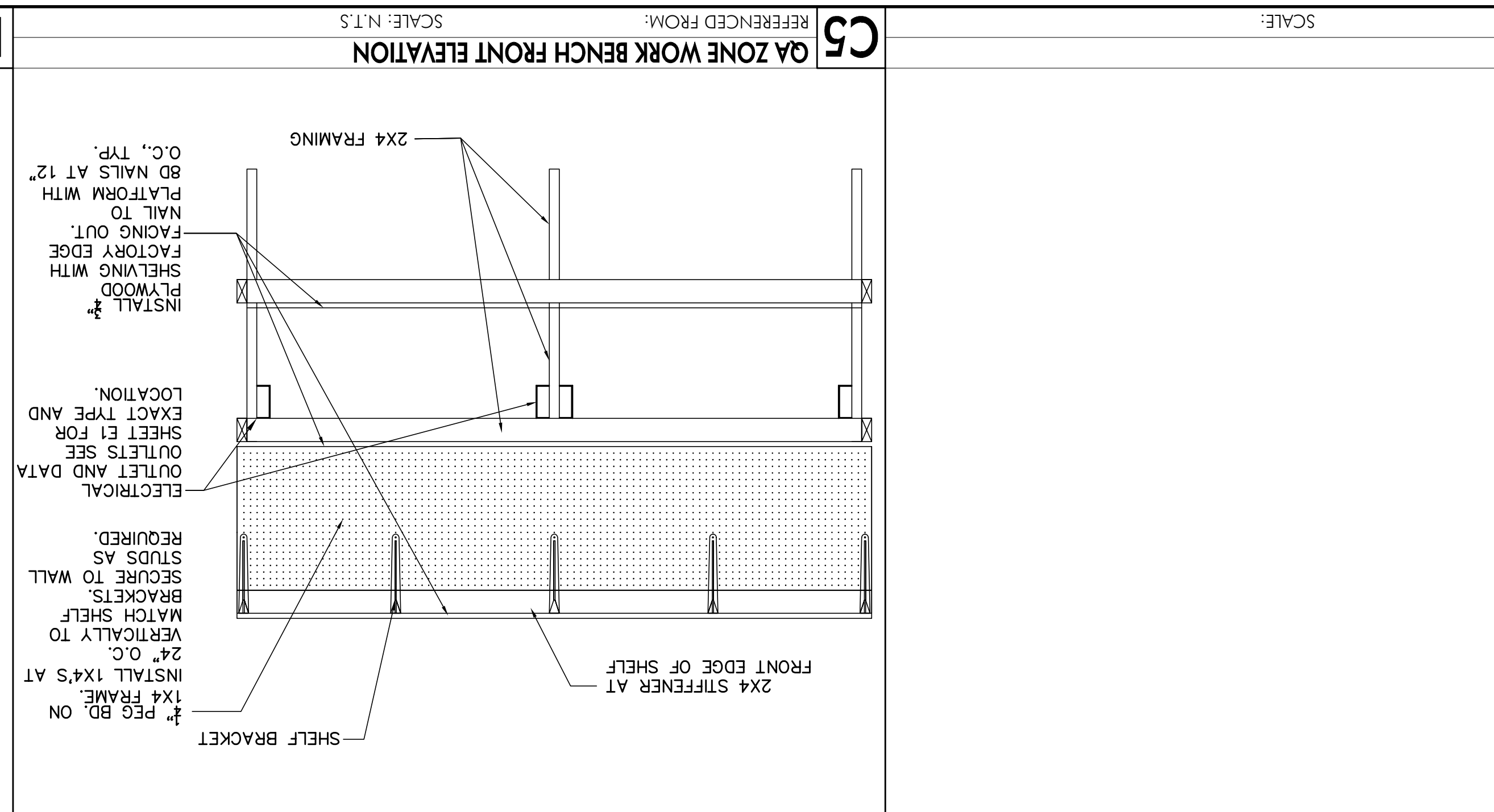


A5 NOT USED

REFERENCED FROM: SCALE: N.T.S.



C5

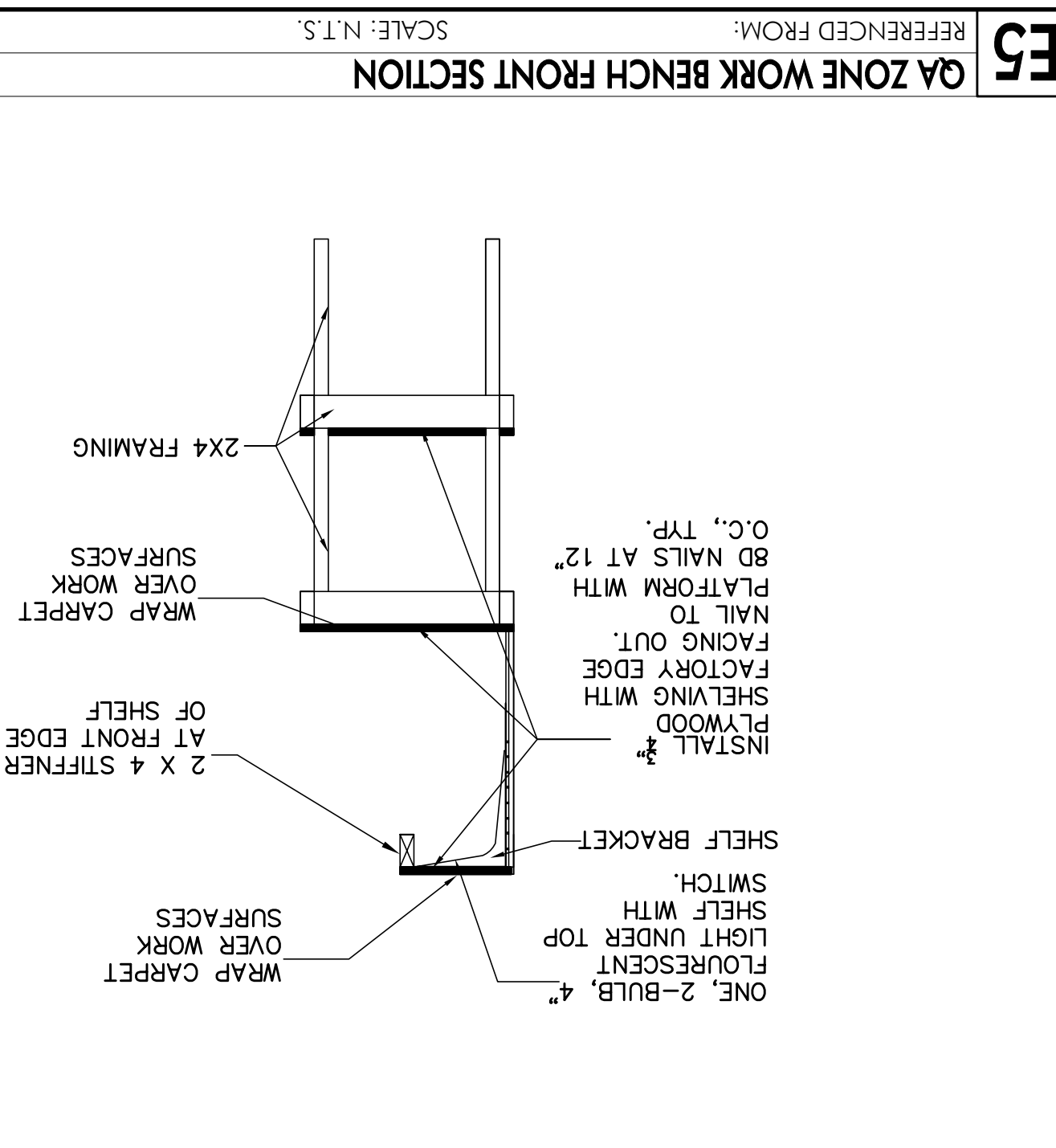
GA ZONE WORK BENCH FRONT ELEVATION

REFERENCED FROM: SCALE: N.T.S.

E5

GA ZONE WORK BENCH FRONT SECTION

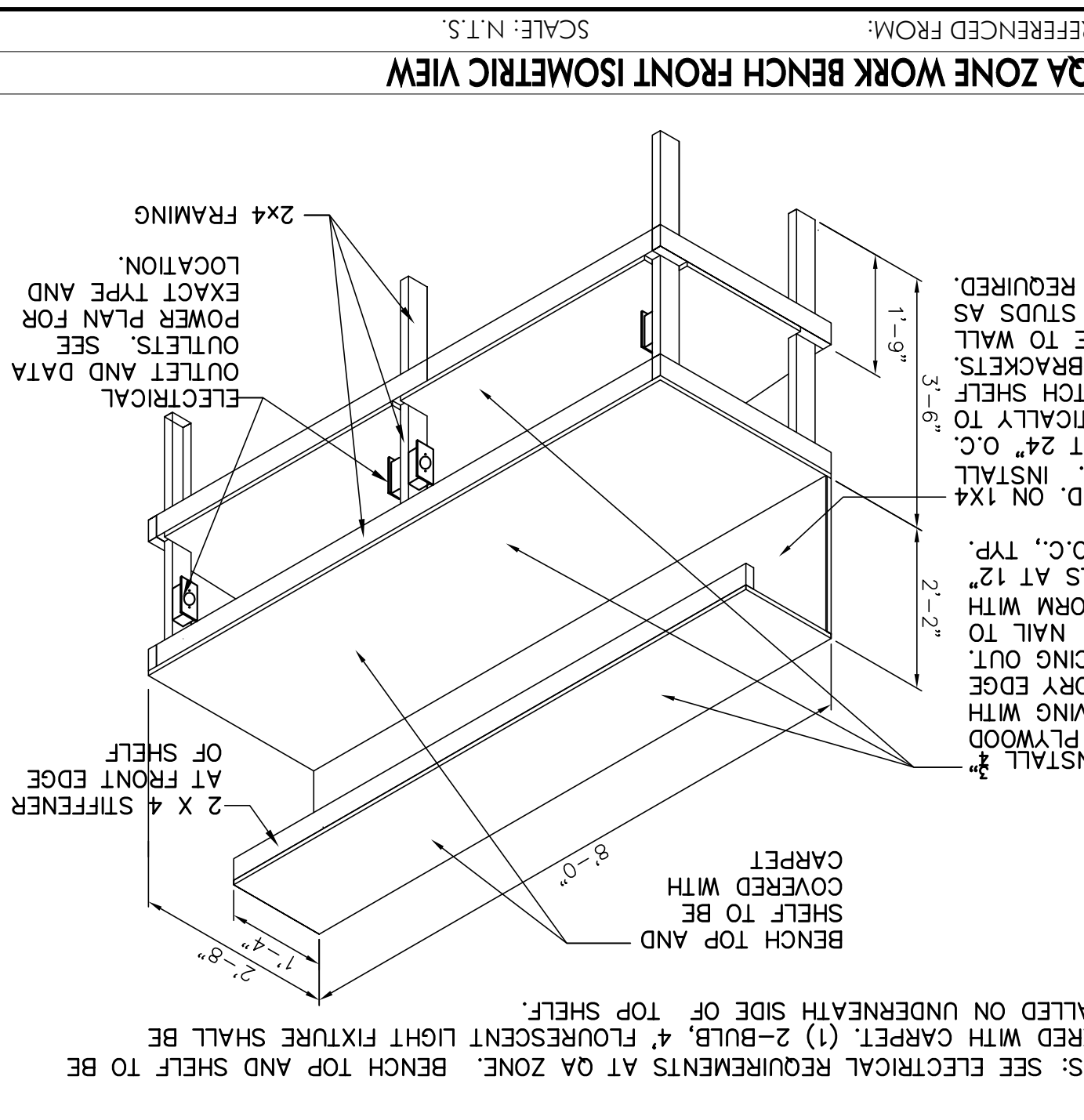
REFERENCED FROM: SCALE: N.T.S.



G5

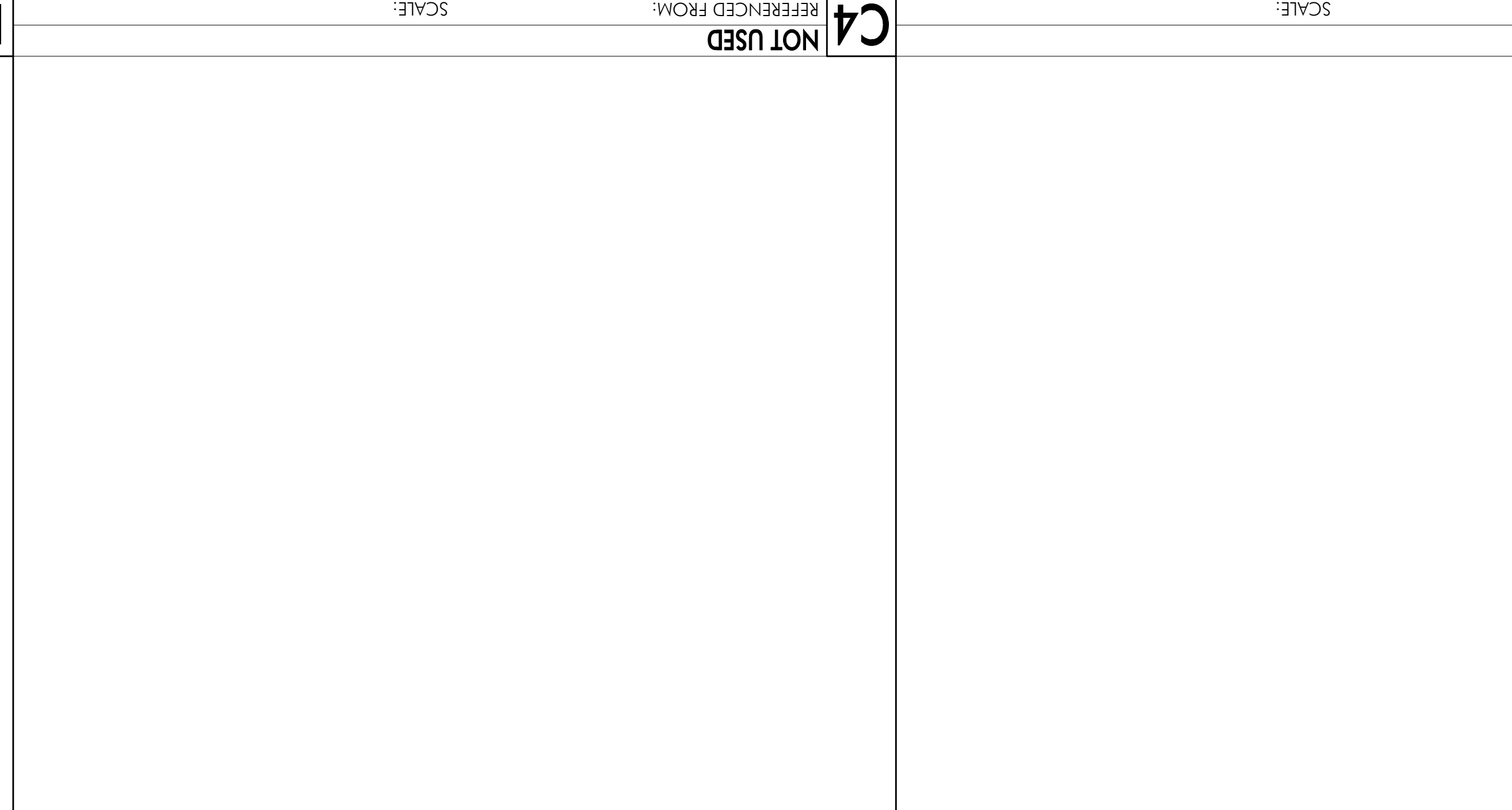
GA ZONE WORK BENCH FRONT ISOMETRIC VIEW

REFERENCED FROM: SCALE: N.T.S.



A4 NOT USED

REFERENCED FROM: SCALE: N.T.S.



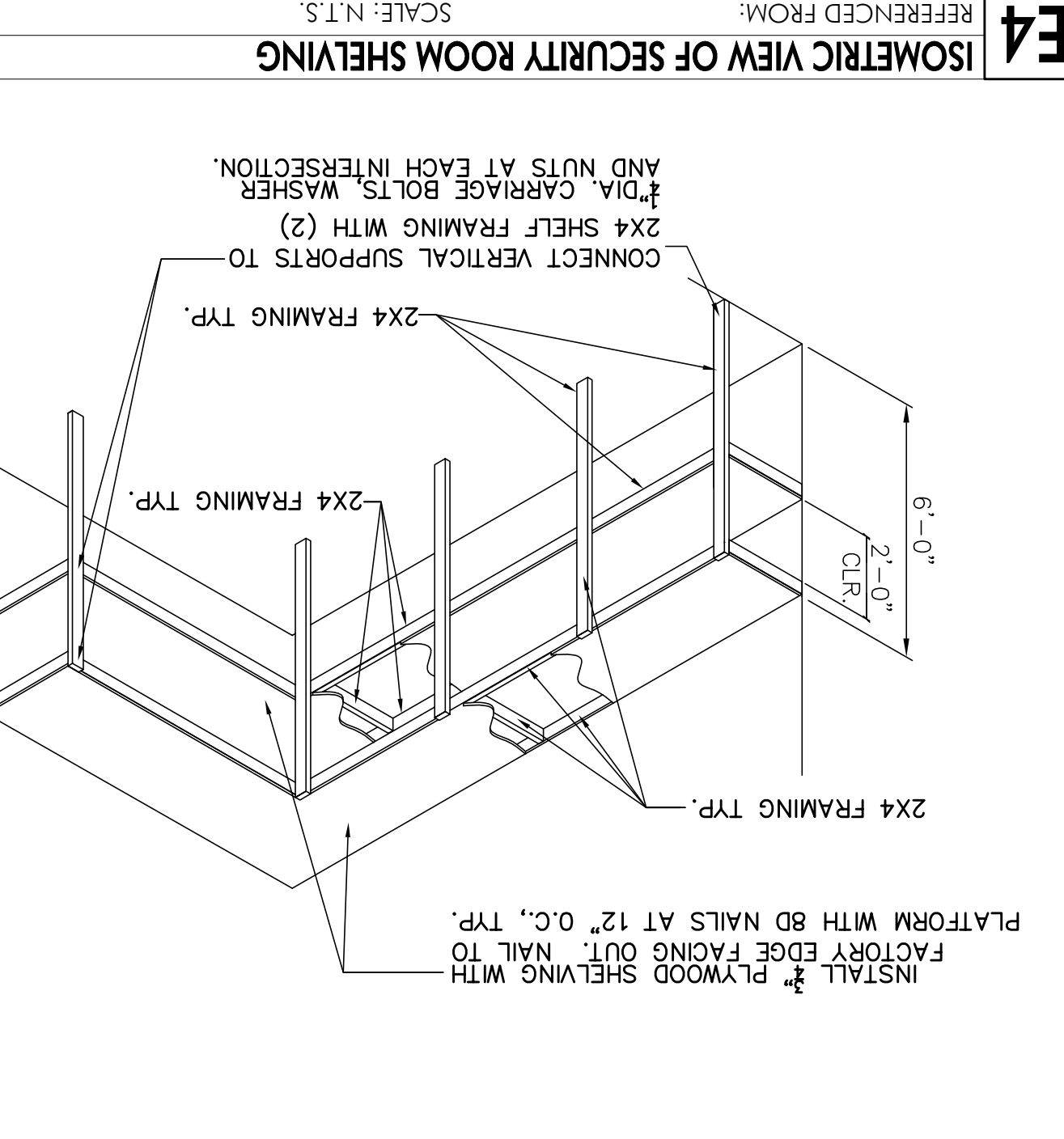
C4 NOT USED

REFERENCED FROM: SCALE: N.T.S.

E4

ISOMETRIC VIEW OF SECURITY ROOM SHELVING

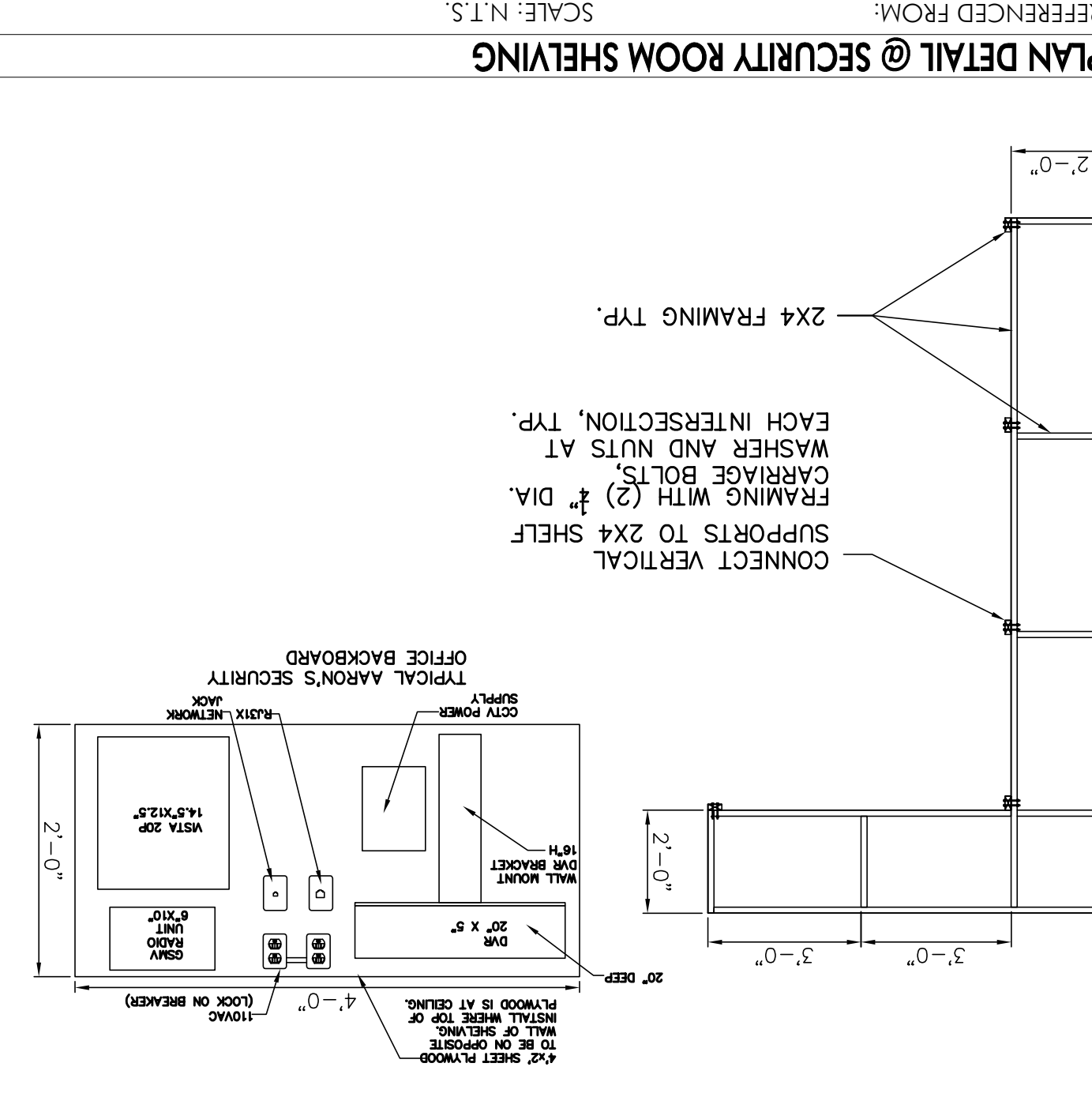
REFERENCED FROM: SCALE: N.T.S.



G4

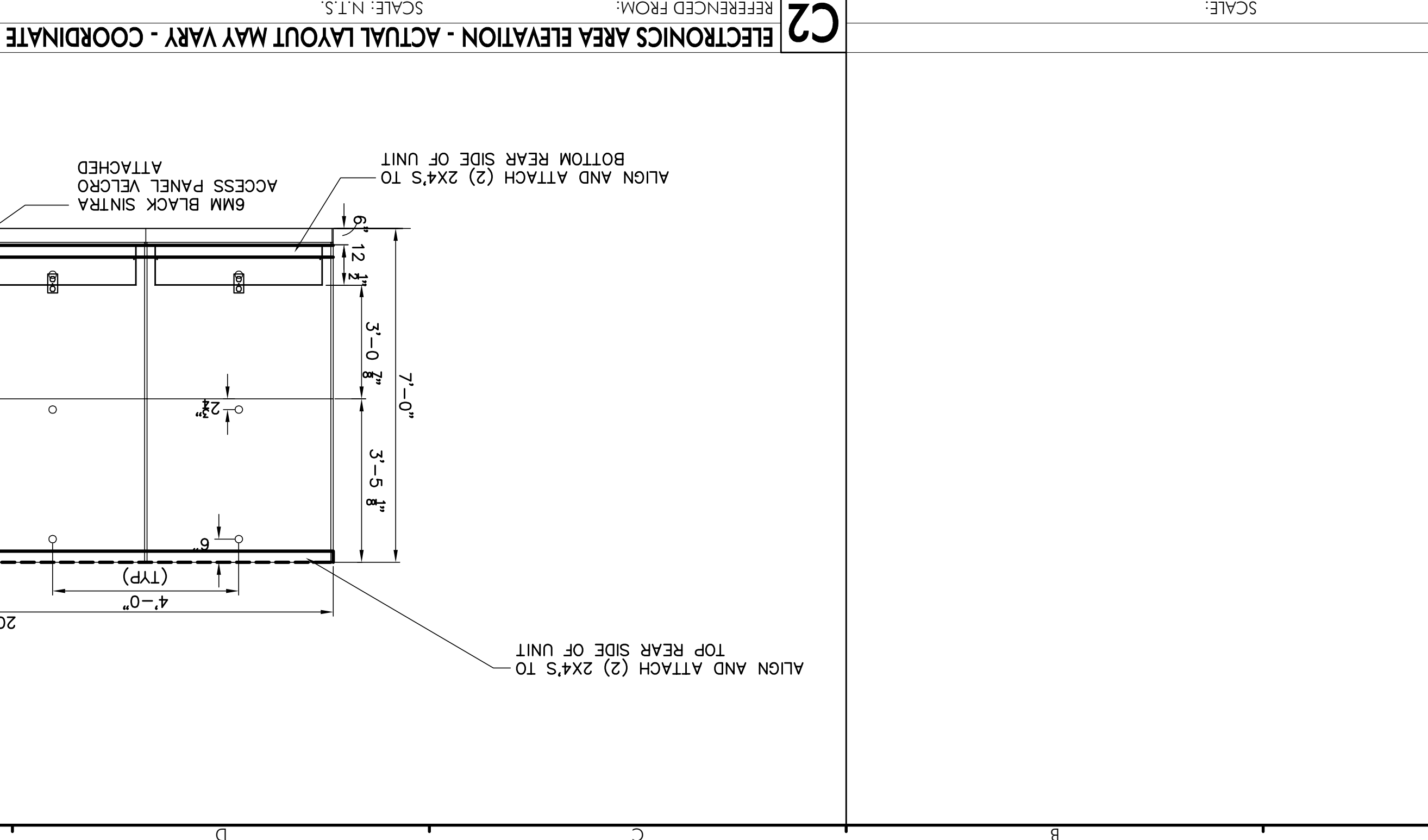
PLAN DETAIL @ SECURITY ROOM SHELVING

REFERENCED FROM: SCALE: N.T.S.



A2 NOT USED

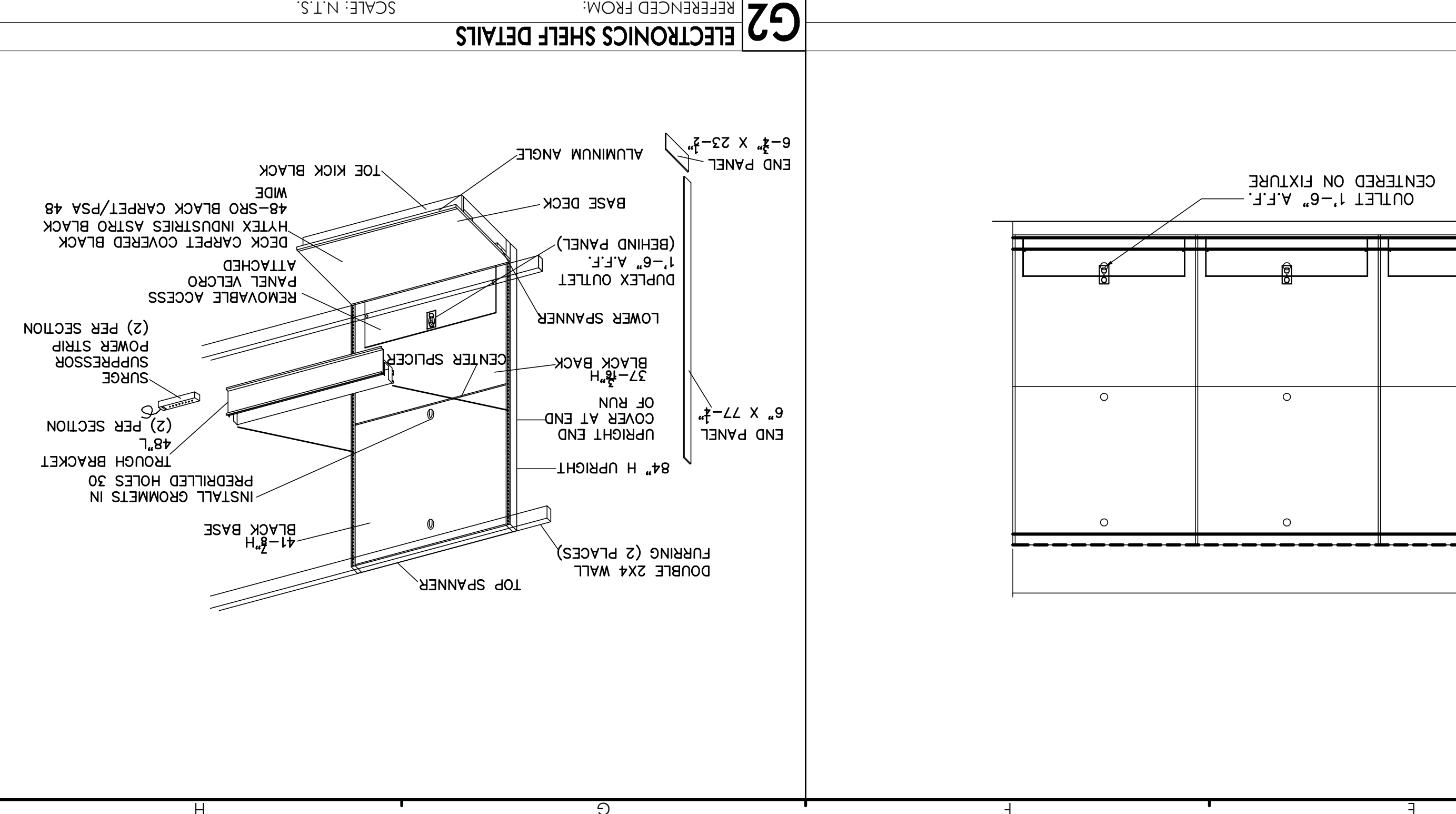
REFERENCED FROM: SCALE: N.T.S.



G2

ELECTRONICS SHELF DETAILS

REFERENCED FROM: SCALE: N.T.S.



DATE: 01/08/2016 AS NOTED SCALE: A4.02 DRAWING NUMBER

REVISIONS

MISCELLANEOUS DETAILS

PROJECT: AARON'S FIT-UP STORE #: F0810 449 FOREST AVE. PORTLAND, MAINE 04101

OWNER: 309 EAST PACER FERRY ROAD ATLANTA, GEORGIA 30305 PHONE: (678) 402-3000

DESIGNER: CWS ARCHITECTS ARCHITECTURE | INTERIOR DESIGN 434 CUMBERLAND AVENUE PORTLAND, ME 04101 PHONE: 207.774.4441 WWW.CWSARCH.COM

434 Cumberland Avenue Portland, ME 04101 OFFICE: 207.774.4441 CWSARCH.COM

ARCHITECTURE | INTERIOR DESIGN CWS ARCHITECTS

ISSUED FOR CONSTRUCTION

NOTE: THESE DRAWINGS HAVE BEEN UPDATED TO THE CURRENT SPECIFICATIONS FOR AN AARON'S SALES AND LEASE OWNERSHIP STORE. DEVIATION FROM THESE PLANS IS NOT PERMITTED WITHOUT EXPRESS WRITTEN PERMISSION.