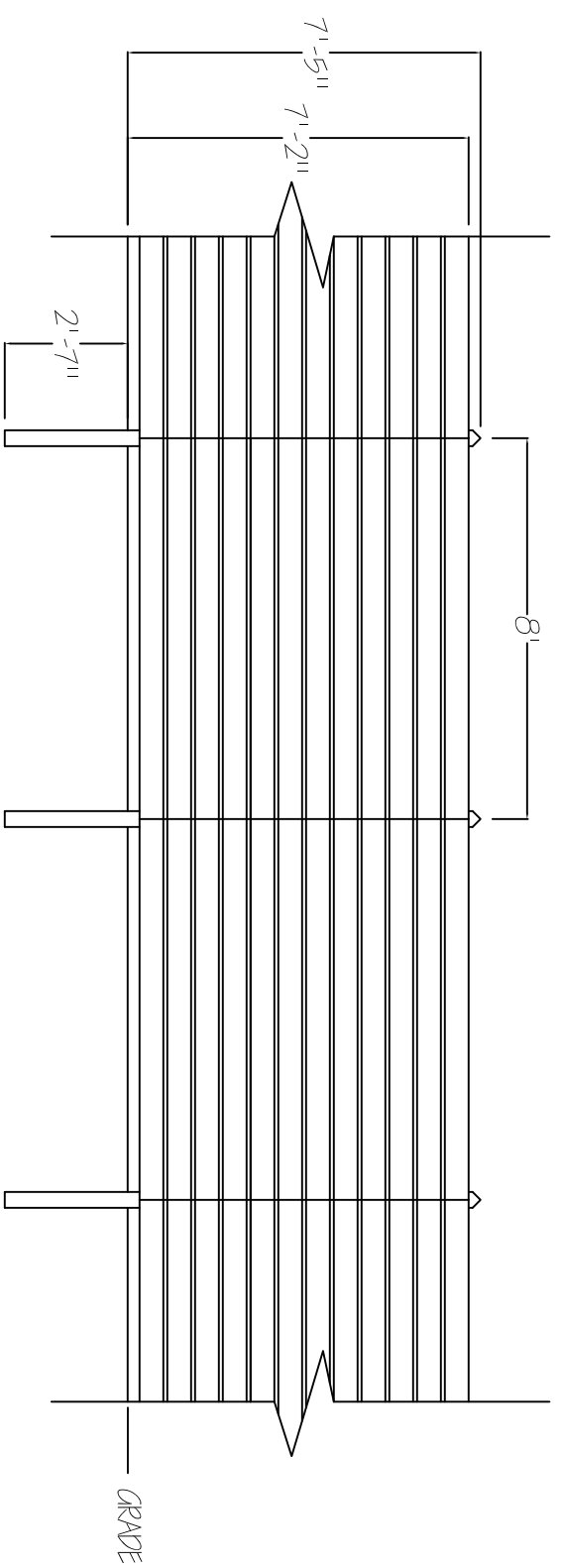


1. FENCE SECTION, PLAN VIEW



2. FENCE SECTION, ELEVATION VIEW

SEARS FENCE 79 DEERFIELD RD, PORTLAND, ME
A-1.1 FENCE CONSTRUCTION DETAILS DRAWING NUMBER 1 OF 1
POLLARD BUILDERS PORTLAND, ME
DRAWN BY: J. B. POLLARD
DATE: 2013.04.23
SCALE: 1/4" = 1'