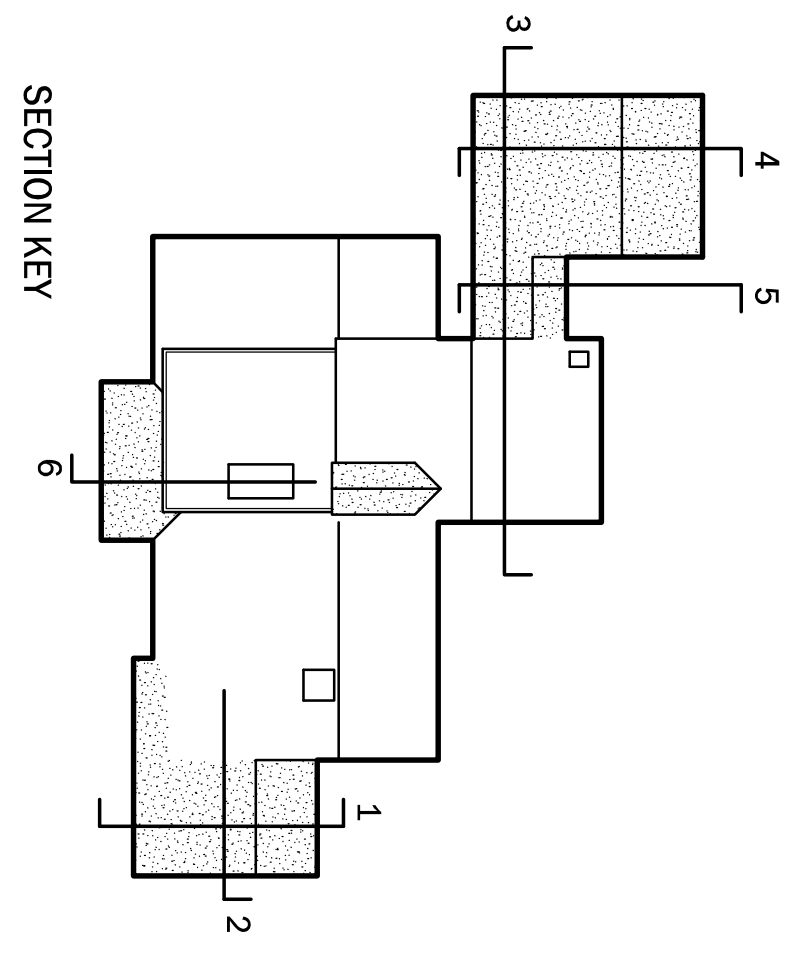


3 BUILDING SECTION
SCALE: 1/2" = 1'-0"



**COLESWORTHY
COTTAGE**
ADDITIONS & RENOVATIONS
CLIFF ISLAND
MAINE

Revisions



10 Dundas Street
Post Office Box
3831 DTB
Portland, Maine
04112-0883
Voice: 207.761.5911
Fax: 207.761.2105
Email: sblatt@coleworthy.com

Consultants
Structural Engineer
Pinkham & Greer

Job No.: 08.13
Date: June 17, 2009
Scale: AS NOTED
Drawn By: CR
Checked By: DMW
Drawing Title:
Building Sections

A.3.2

PERMIT SET