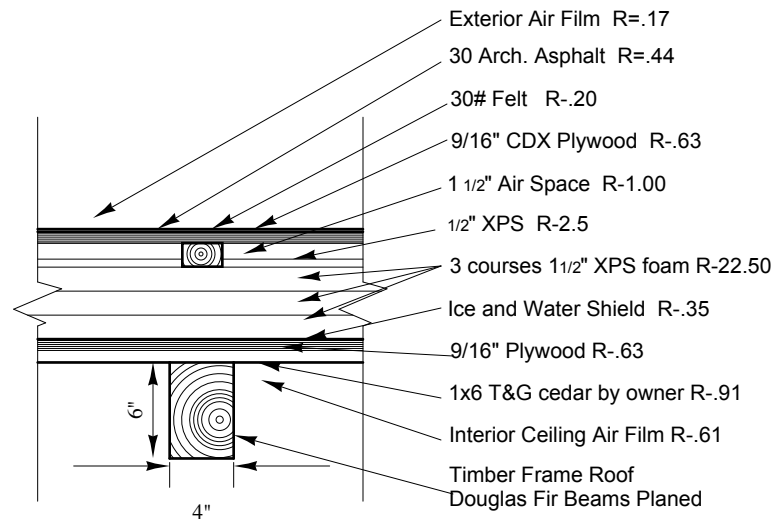
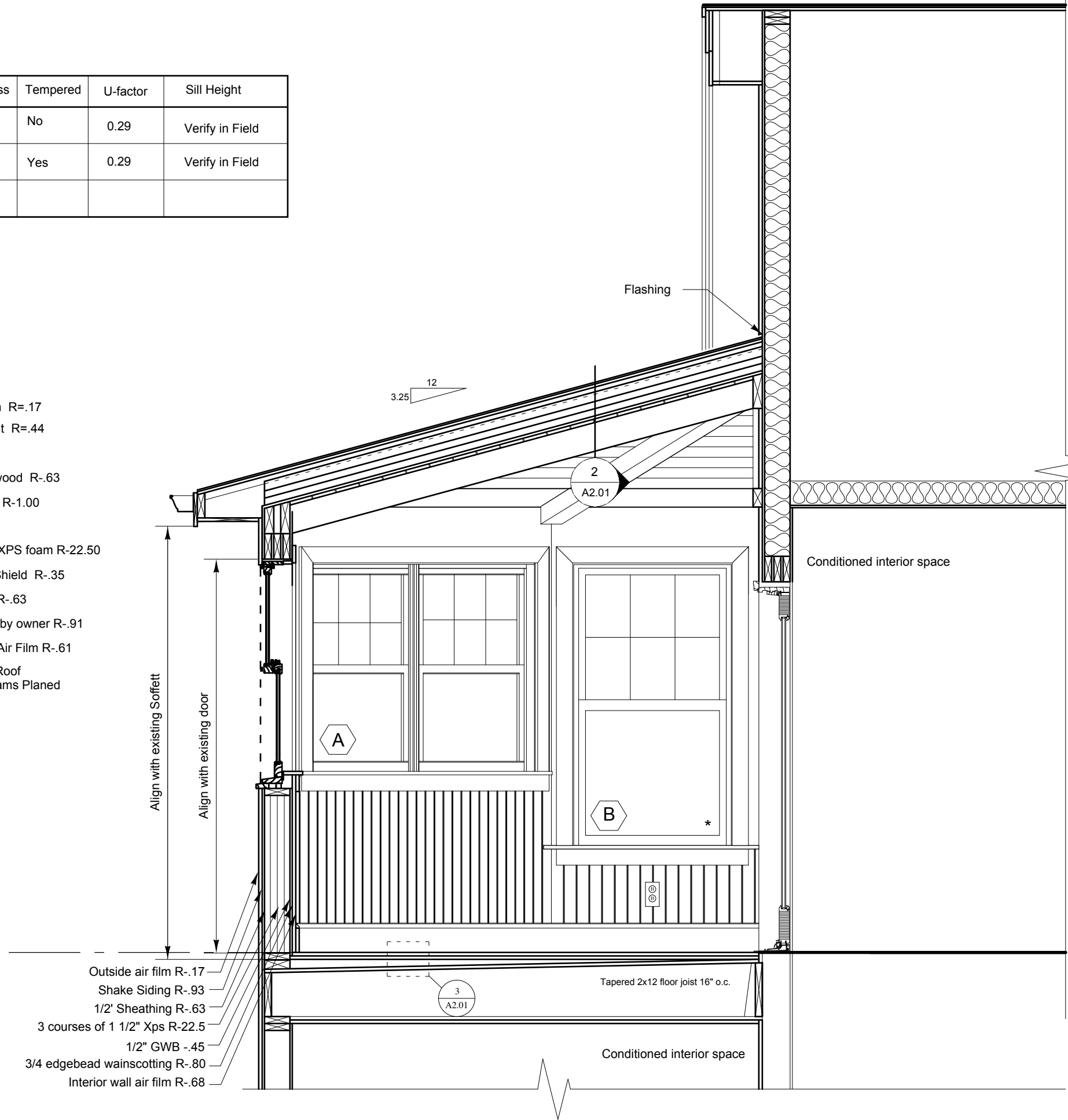
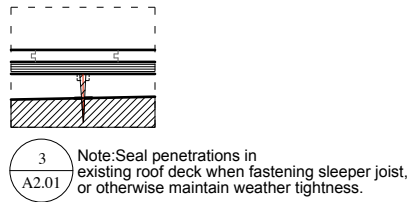


Tag	Unit	R.O.	# units	Egress	Tempered	U-factor	Sill Height
A	WUDH 2820-2w	TBD	3	No	No	0.29	Verify in Field
B	WUDH3028	36 3/8" x 65 1/2"	1	Yes	Yes	0.29	Verify in Field



2 **Section 2**
 A2.01 SCALE: 1' = 1"



Section AA
 SCALE: 1/2" = 1'-0"

For Pricing Only:
 Not For Construction

MAKER
 Design / Build
 23 Pitt Street
 Portland Me. 04103
 329-8606

Tim & Jane Gieselman
 174 Whitehead Ave.
 Cushings Island
 Portland Maine

Date: 5.1.2013

Sections
 Scale: Varies

A2.01