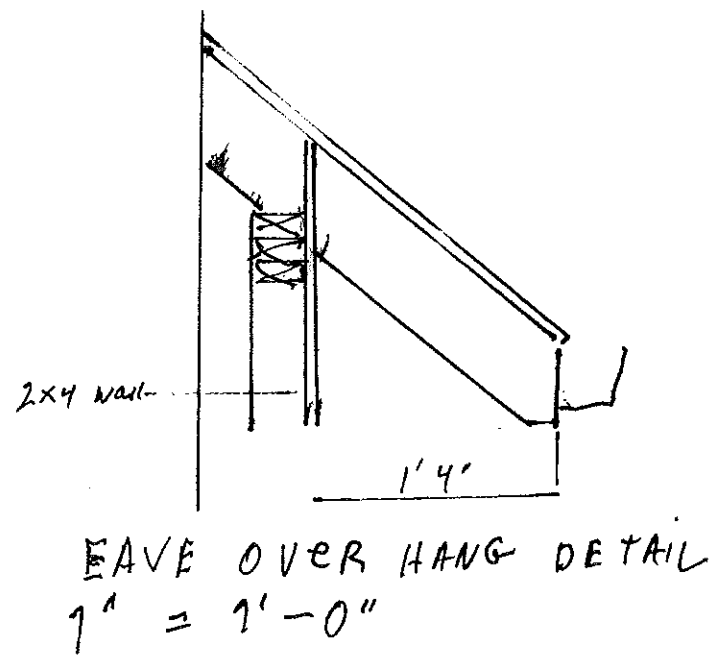
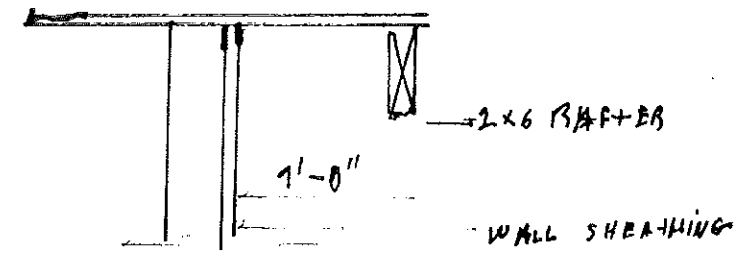


UNIT NO.	UNIT TYPE	ROUGH OPENING	MODEL NO	GLASS TYPE	OPTIONS
2 1	Mullid 6 over 6 Double Hung	60-7/8" x 57"	Boston Layout SSB	single PANE 6/6 - 6/6	INSECT SCREENS FLAT CASING
4 2	Double Hung	30" x 57"	Boston Layout SSB	Single PANE 6/6 LITE	"
1 3	SMALL Double Hung	22" x 41"	Boston Layout SSB	4 OVER 4	"
1 4	AWNINGS	26 1/2" x 28"	Boston Layout SSB 2'0" x 2'0"	Single PANE 6 LITE	"

RECEIVED  
 APR 06 2012  
 Dept. of Building Inspections  
 City of Portland Maine



Eliza & Jonathan Nolan  
 181 Craigie St  
 Portland, ME 04102

Cushings Island &  
 Arts + Crafts  
 ↓  
 storage shed

2X8 RIDGE

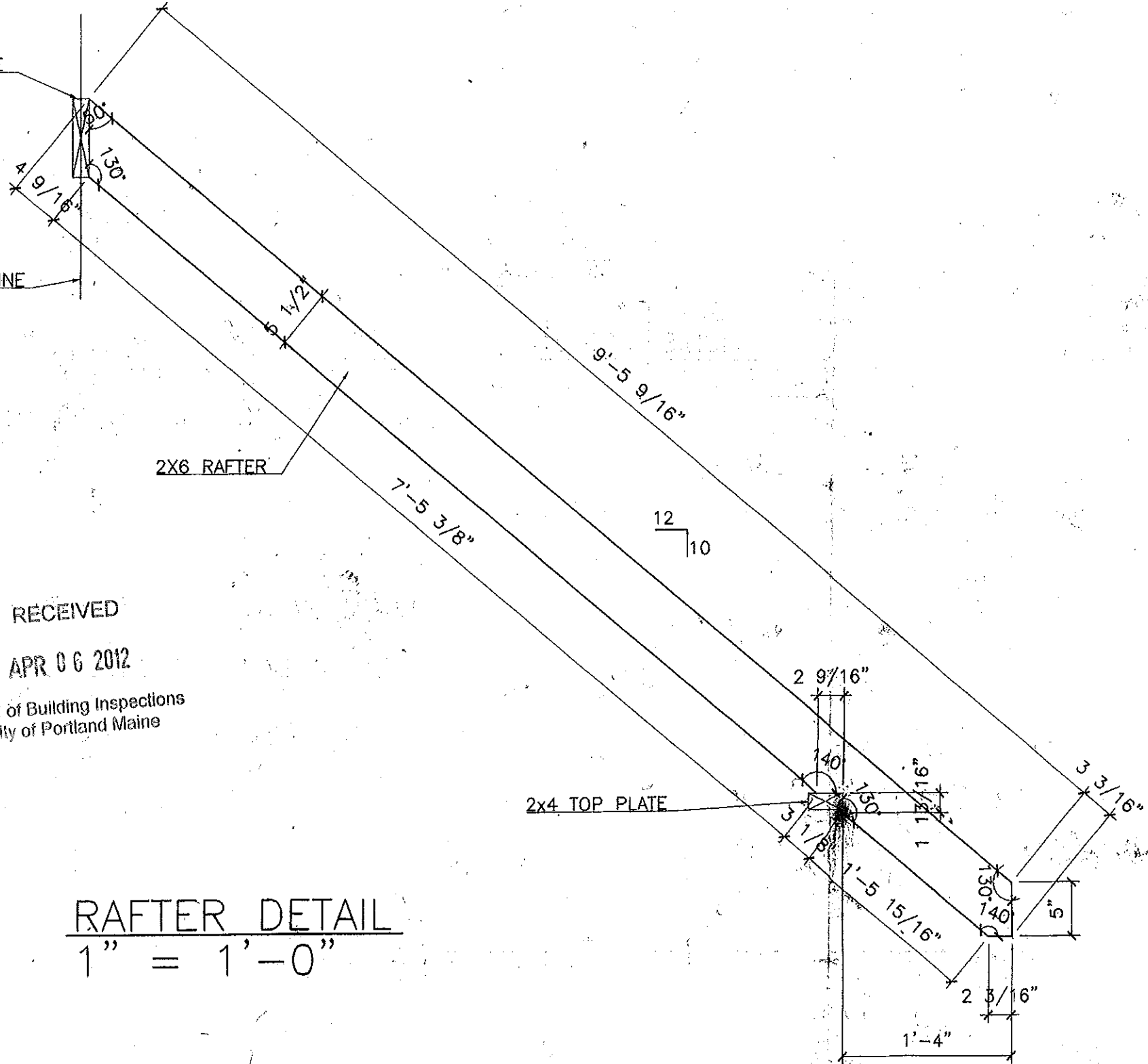
CENTER-LINE

2X6 RAFTER

2x4 TOP PLATE

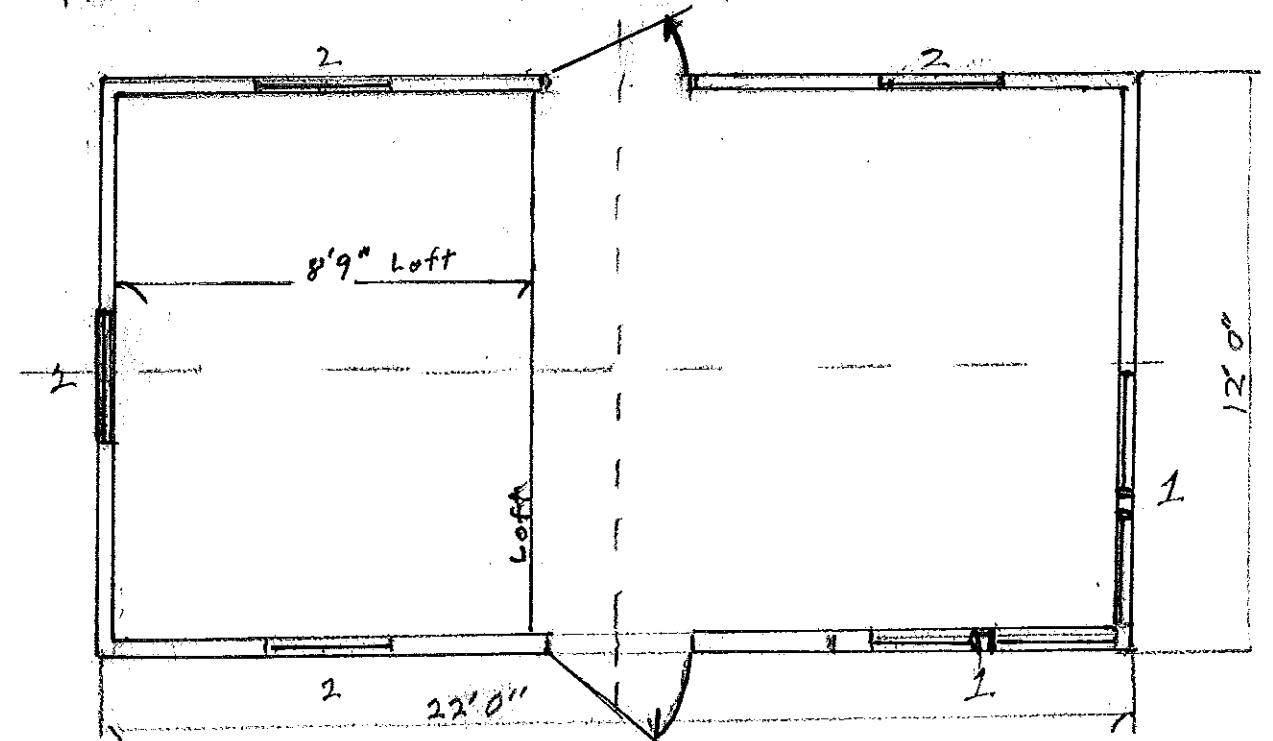
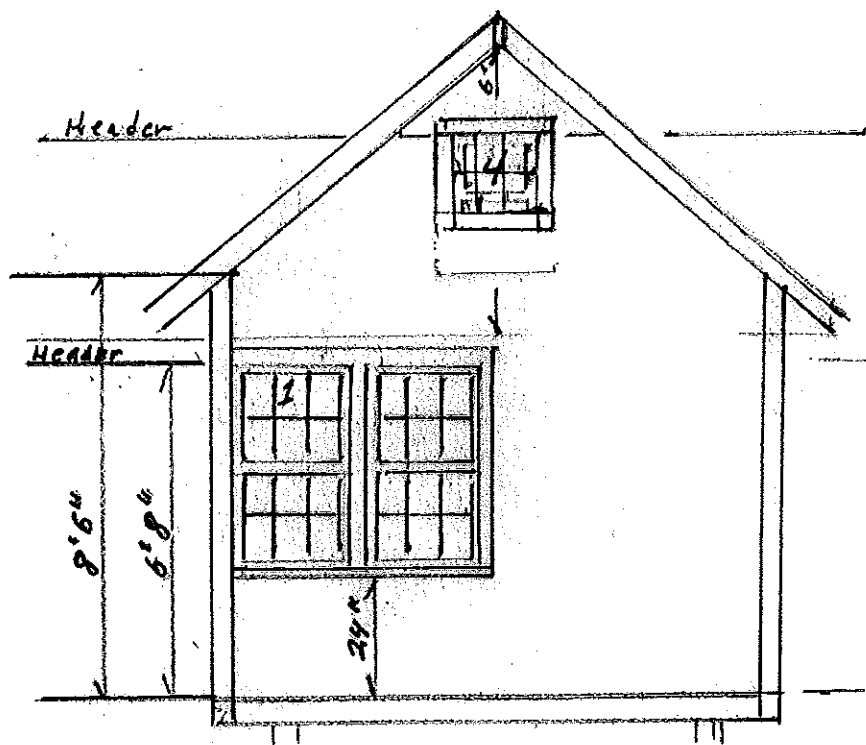
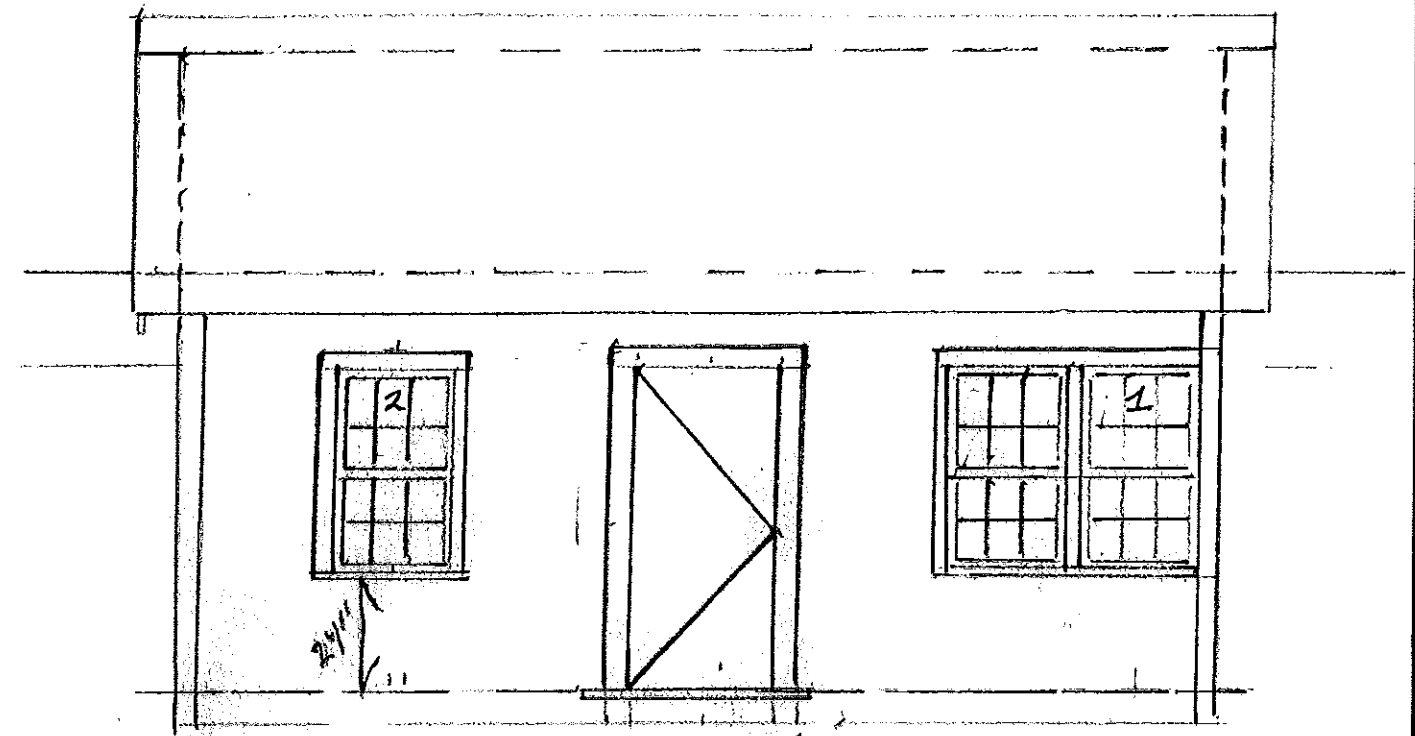
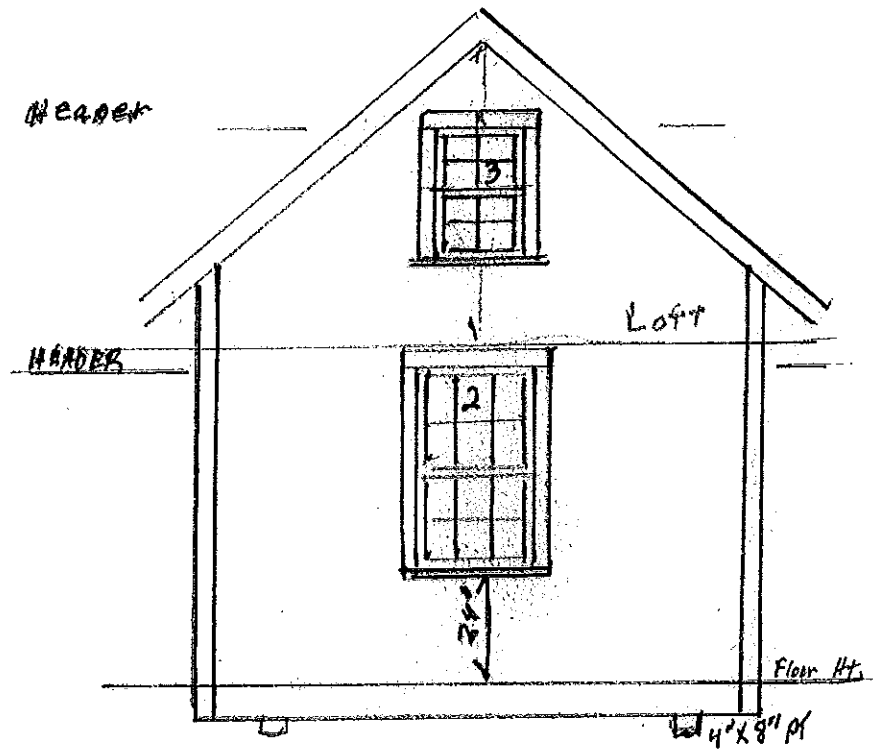
RECEIVED  
APR 06 2012  
Dept. of Building Inspections  
City of Portland Maine

RAFTER DETAIL  
1" = 1'-0"



Eliza & Jonathan Nolan  
181 Craigie St  
Portland, ME 04102

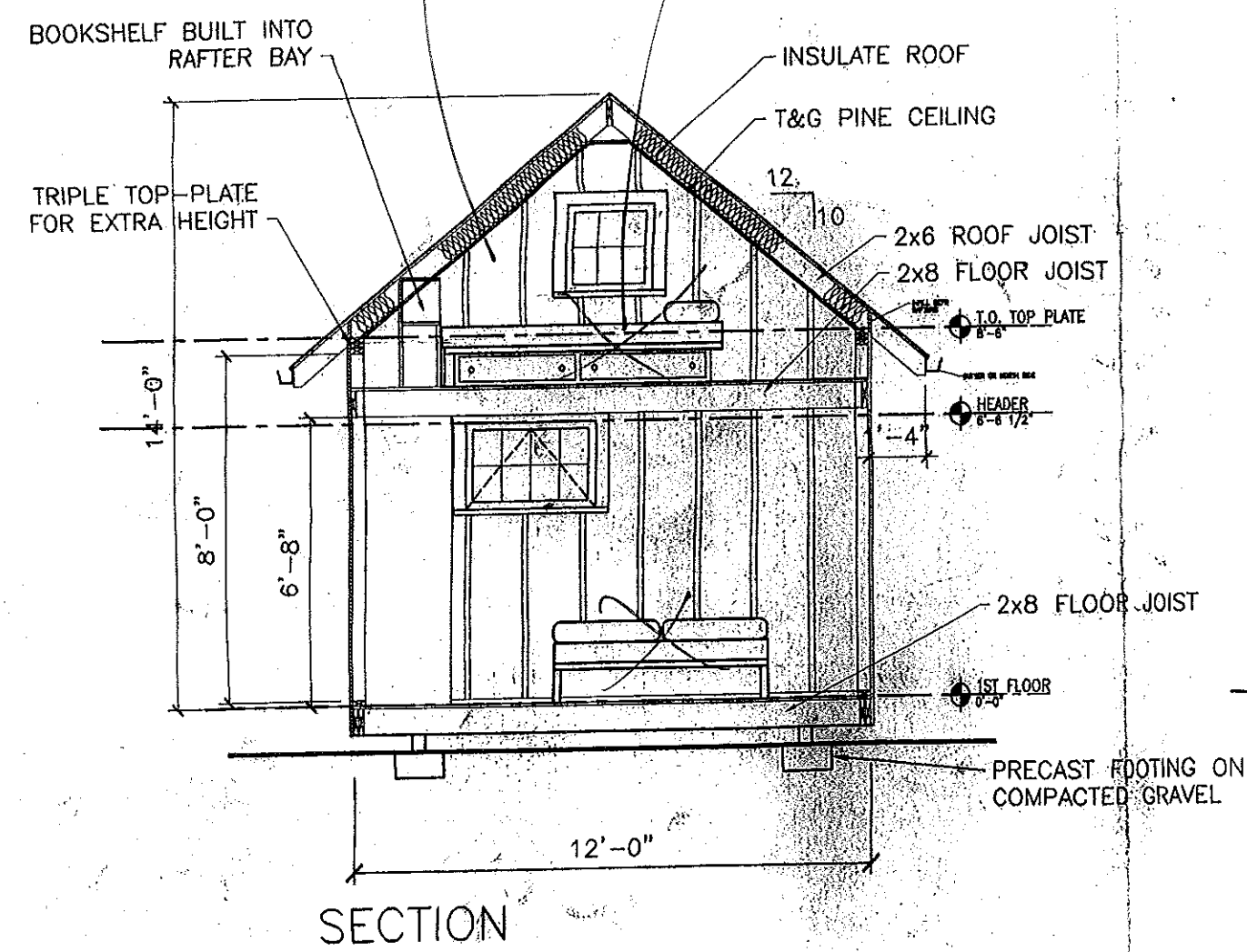
RECEIVED  
 APR 06 2012  
 Dept. of Building Inspections  
 City of Portland Maine



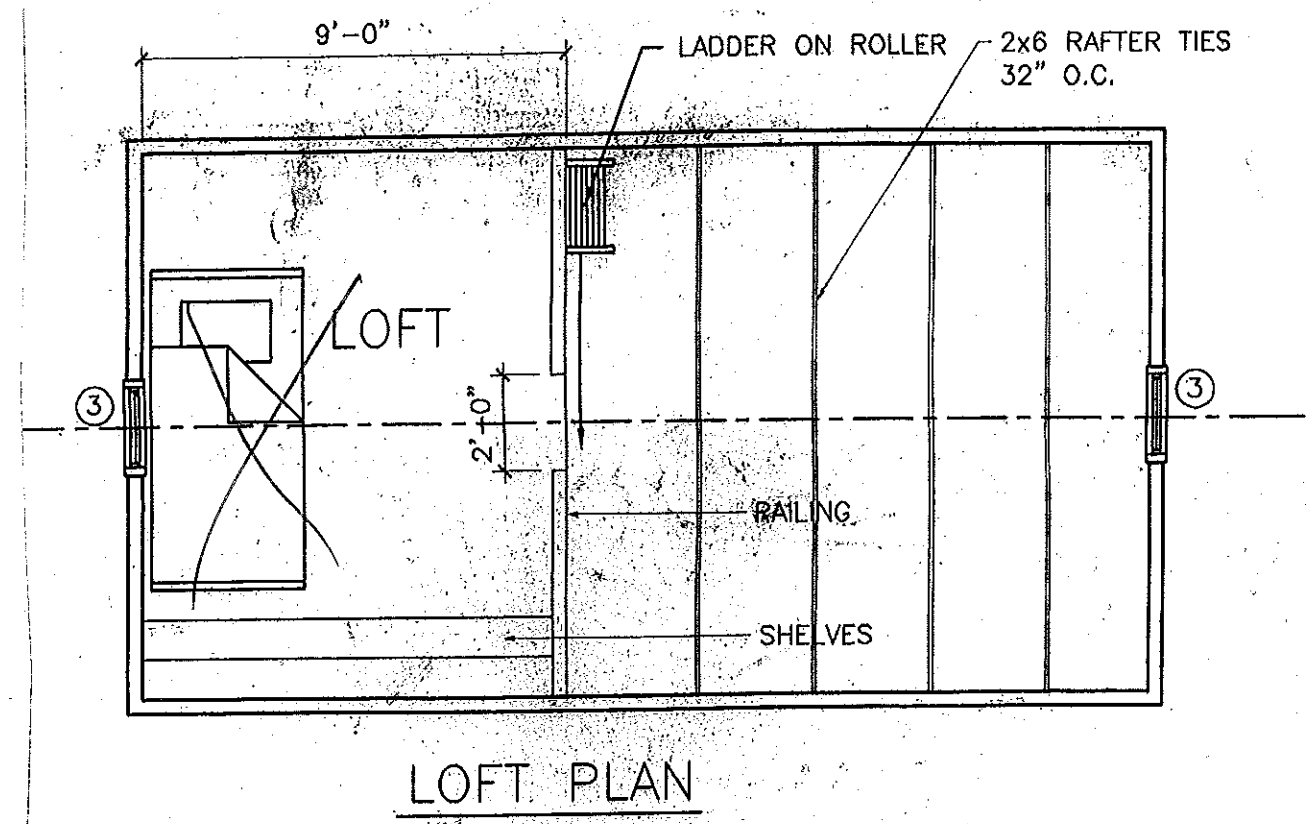
Cushings Island		Arts and Crafts Storage SHED	
SCALE: 1/4" = 1'	APPROVED BY:	DRAWN BY JWN	
DATE:	Eliza & Jonathan Nolan 181 Craigie St Portland, ME 04102		REVISED
			DRAWING NUMBER

RECEIVED  
 APR 06 2012  
 Dept. of Building Inspections  
 City of Portland Maine

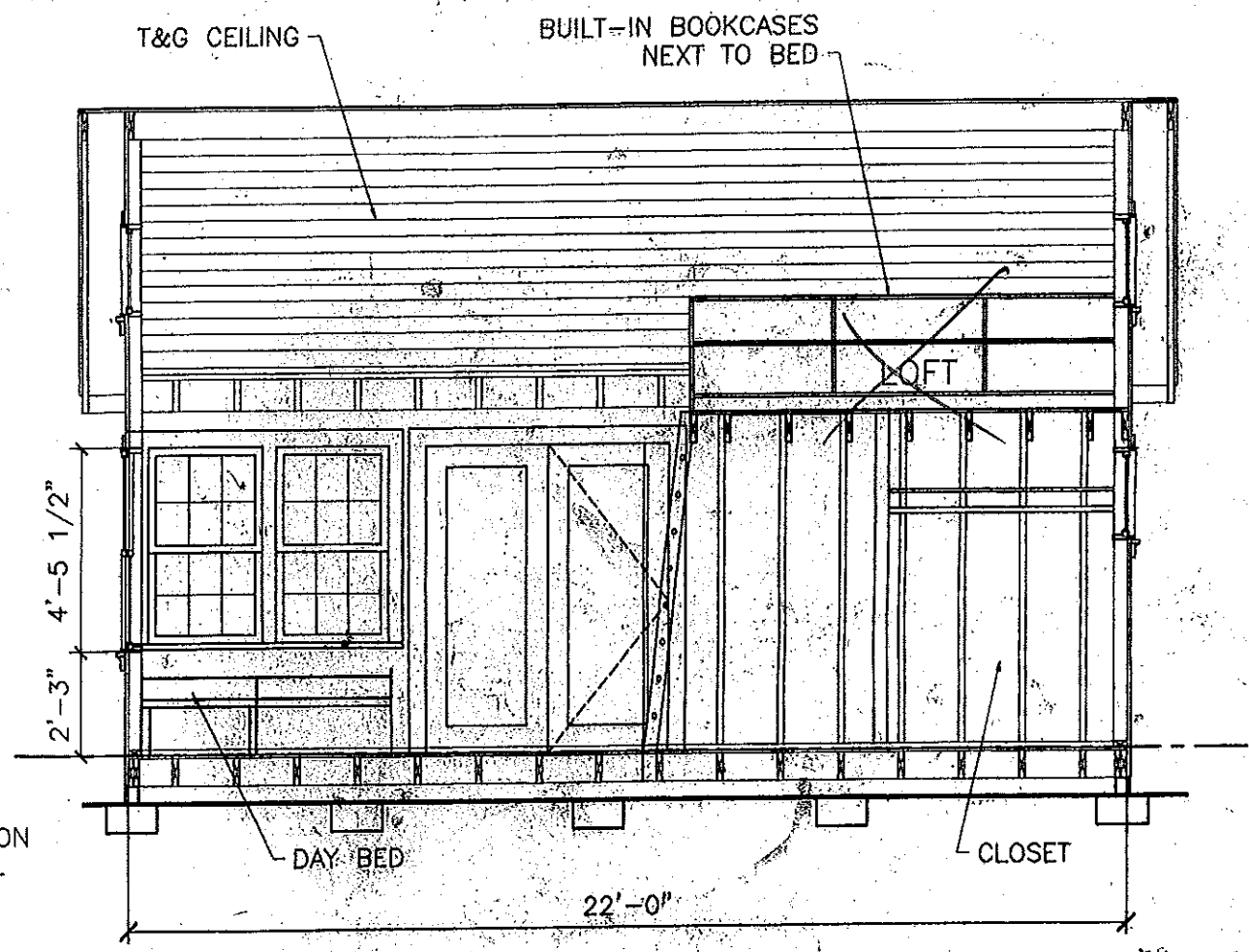
*light storage only*  
*05/04/12*  
*Spoke w/ owner*  
*ie. no beds / sleeping*  
*areas allowed w/ this application*  
*JLR*



SECTION



LOFT PLAN



LONG SECTION

Eliza & Jonathan Nolan  
 181 Craigie St  
 Portland, ME 04112