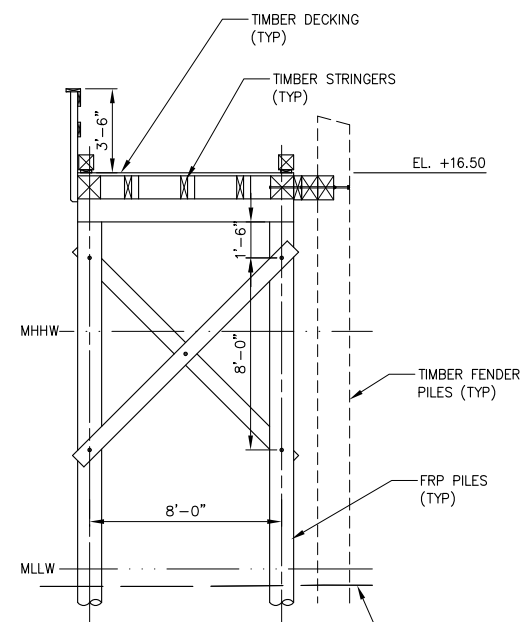
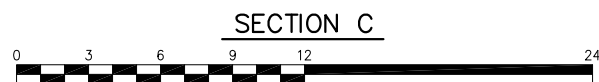
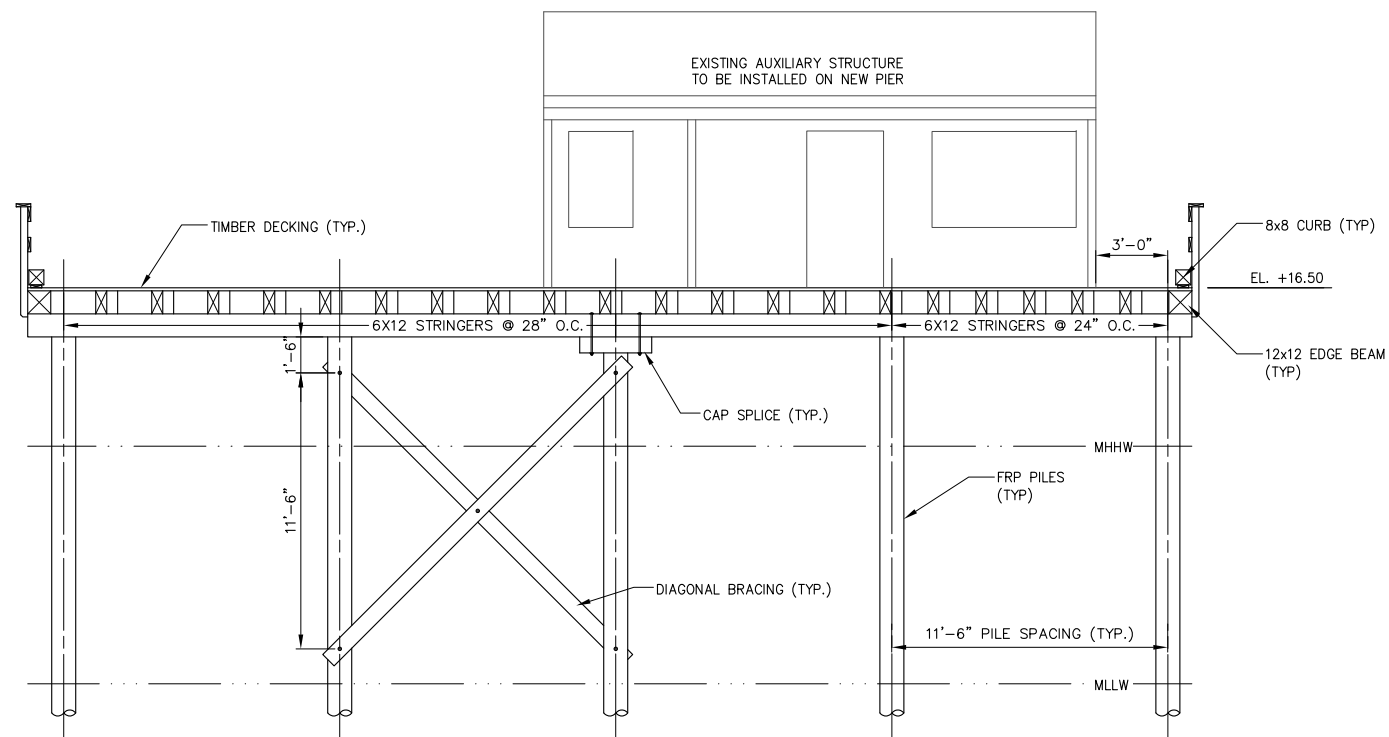
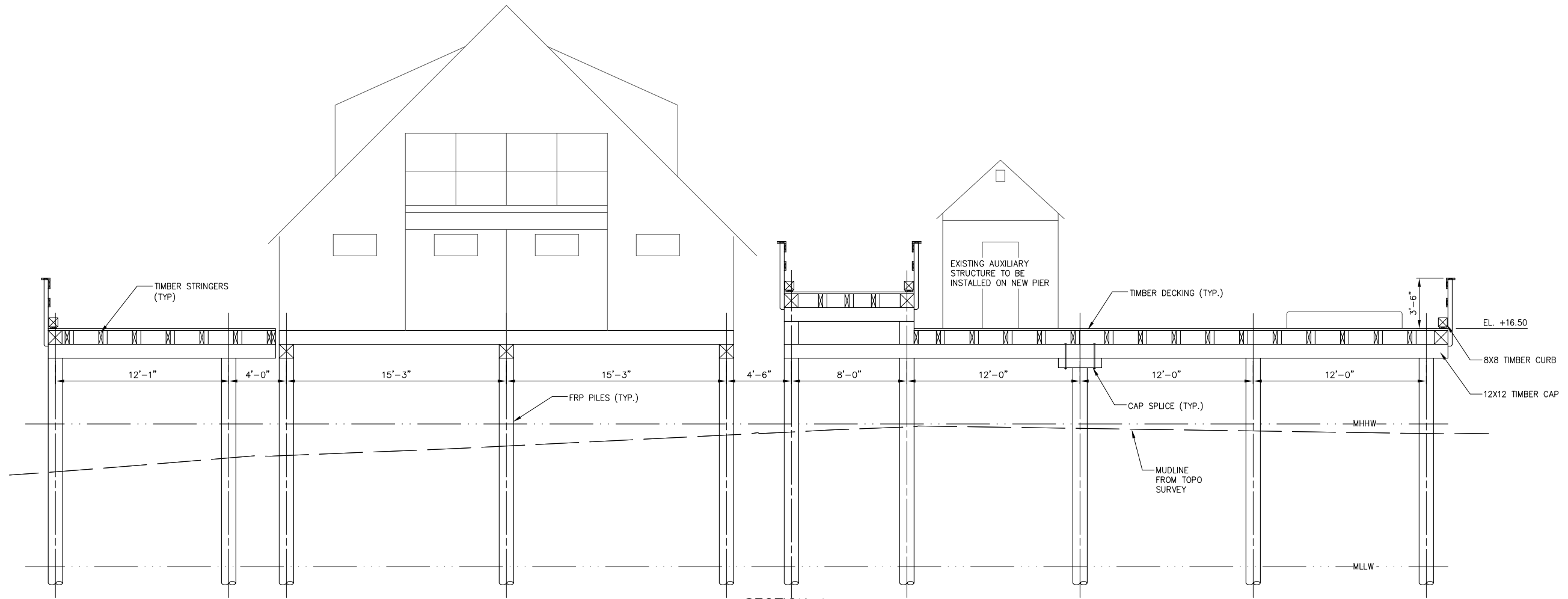
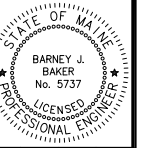


\\eng-sta1\projects\12-34 little diamond island\cod\12-34 ldi pier structural design.dwg



NO.	A	PERMIT APPLICATIONS	DATE	BUB	INT.
		SUBMISSION	1-22-13		



DESIGNED BY:	BUB
DRAWN BY:	JJC
CHECKED BY:	BUB
SCALE:	AS SHOWN

TYPICAL SECTIONS
PROJECT: OLD COAST GUARD STATION LLC
PIER REPLACEMENT
LITTLE DIAMOND ISLAND, PORTLAND, MAINE

DATE: DEC. 2012
CONTRACT NO.: 12-34

SHEET NO. 9-3
REV.