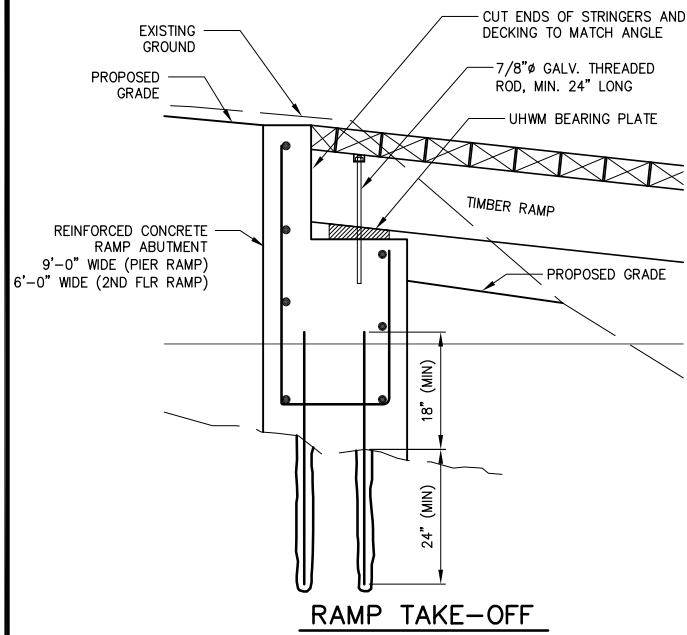
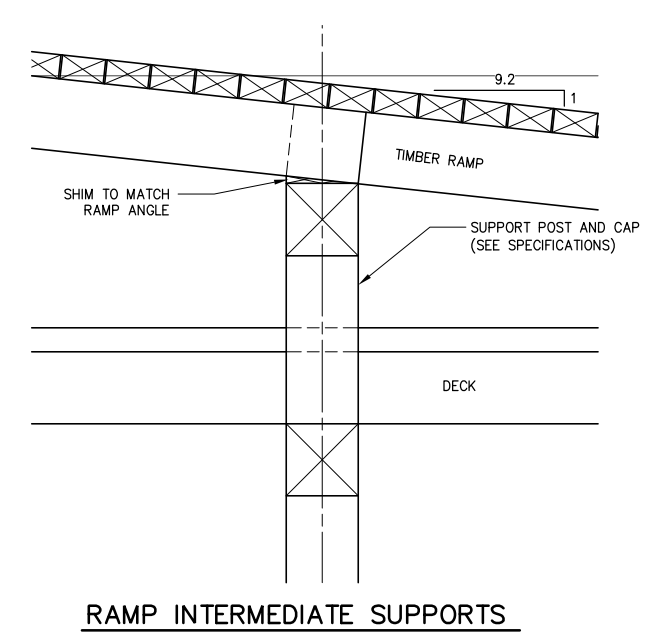


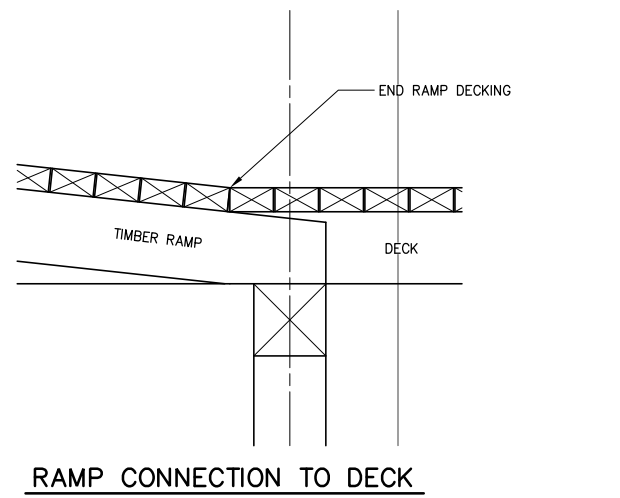
\\ds413\projects\12-34 little diamond island\cad\12-34 ldi pier structural design.dwg



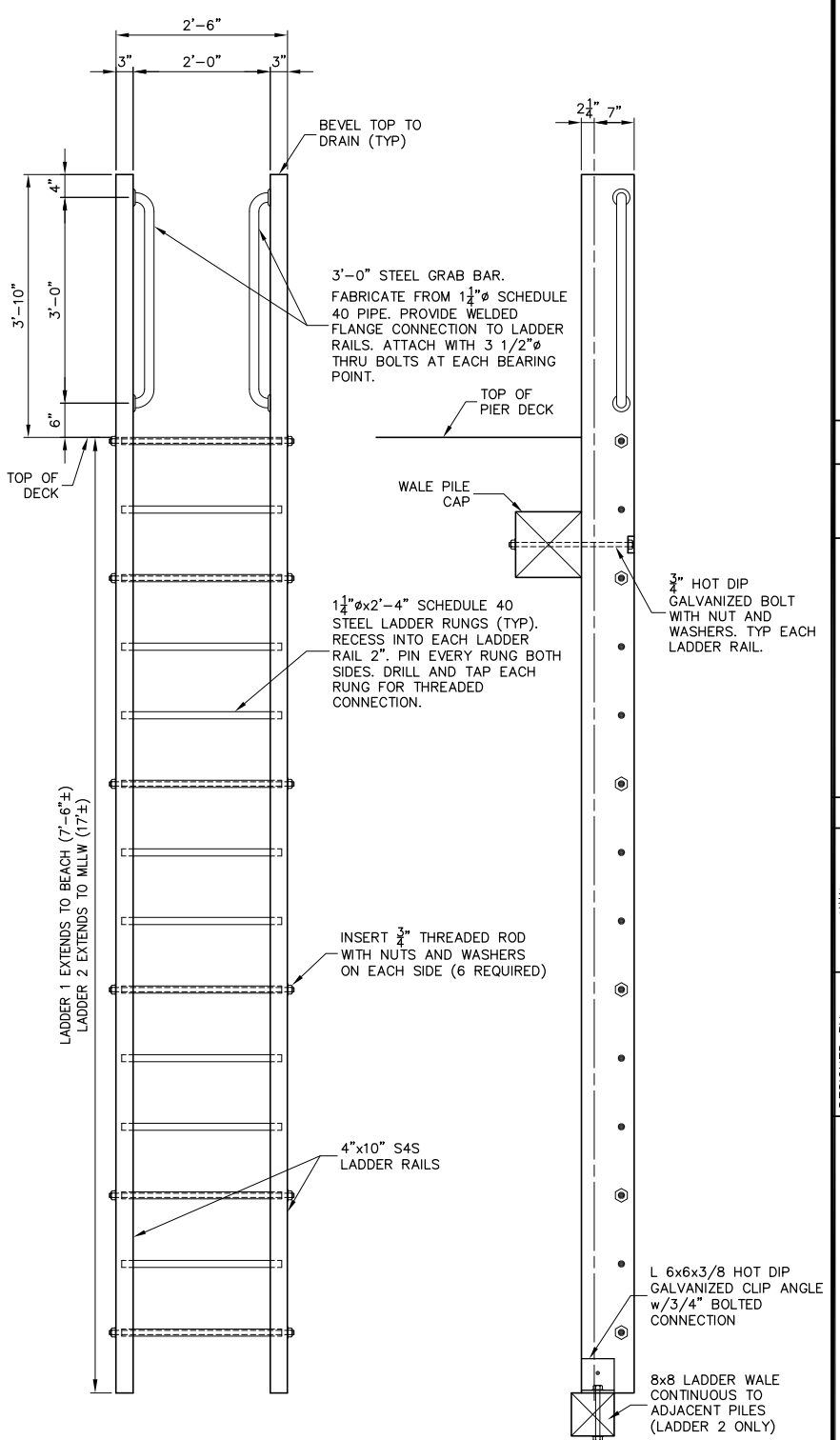
RAMP TAKE-OFF



RAMP INTERMEDIATE SUPPORTS



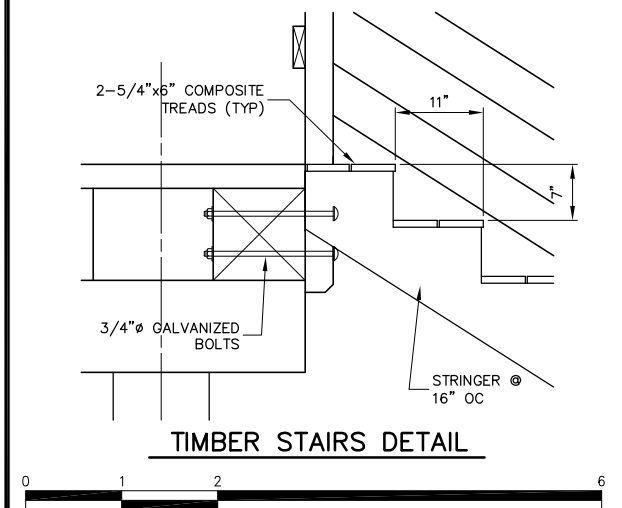
RAMP CONNECTION TO DECK



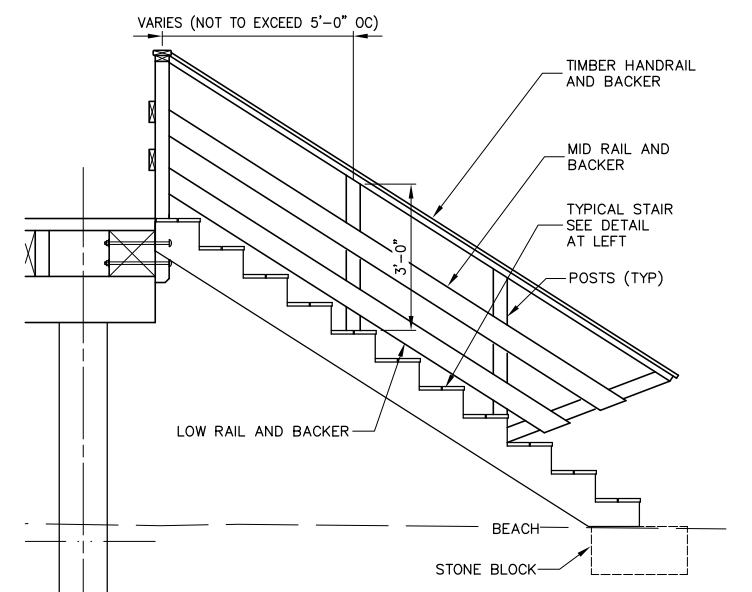
ELEVATION

TYPICAL SECTION

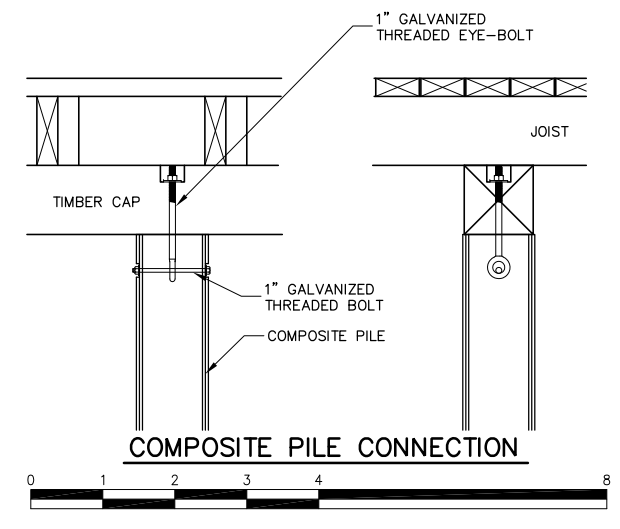
LADDER DETAIL



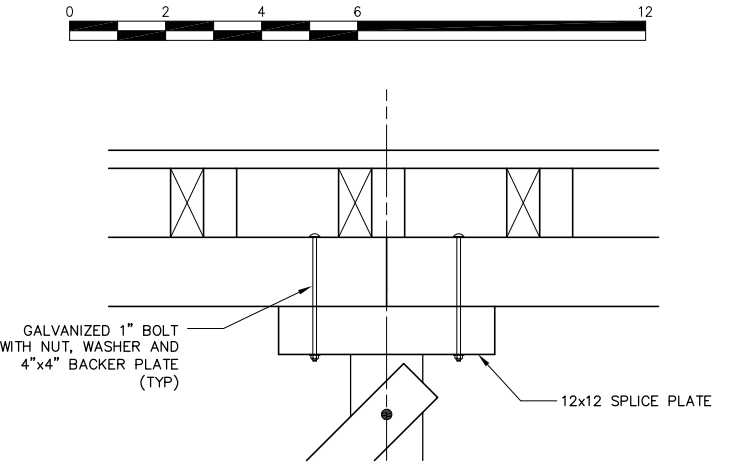
TIMBER STAIRS DETAIL



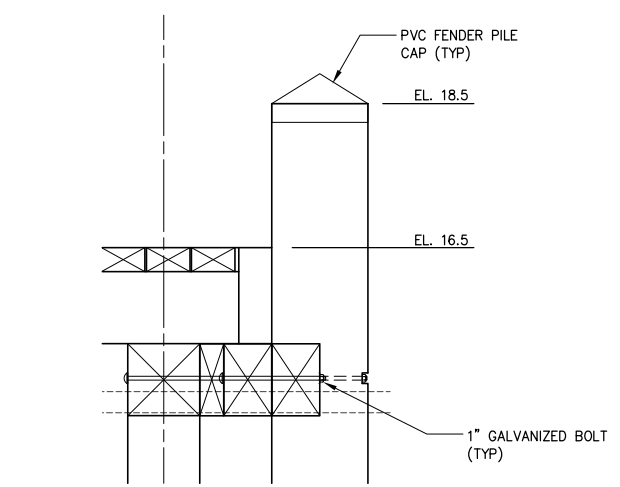
BEACH ACCESS TIMBER STAIRS



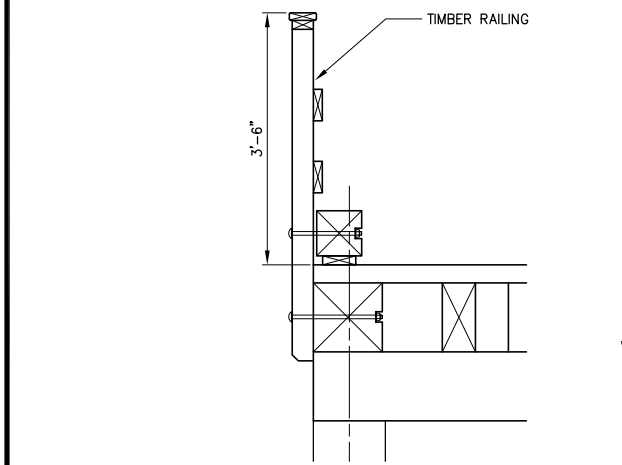
COMPOSITE PILE CONNECTION



CAP SPLICE



FENDER PILE AND BUMPER CONNECTION



RAILING

BAKER DESIGN CONSULTANTS
Civil, Marine, and Structural Engineering
7 Spruce Road, Freeport, Maine 04632
Tel: (207) 846-9724
info@bakdesignconsultants.com

NO.	A	B	BUB	INT.
PROJECT/BID	8-13-13	BUB		
CLIENT REVIEW	8-05-13	BUB		
SUBMISSION				
DATE				

DESIGNED BY: BUB
DRAWN BY: JUC
CHECKED BY: BUB
SCALE: AS SHOWN

STRUCTURAL DETAILS
PROJECT: OLD COAST GUARD STATION LLC
PIER REPLACEMENT
LITTLE DIAMOND ISLAND, PORTLAND, MAINE

SHEET TITLE: STRUCTURAL DETAILS
DATE: JULY 2013
CONTRACT NO.: 12-34
SHEET NO.: S-6
REV.: B