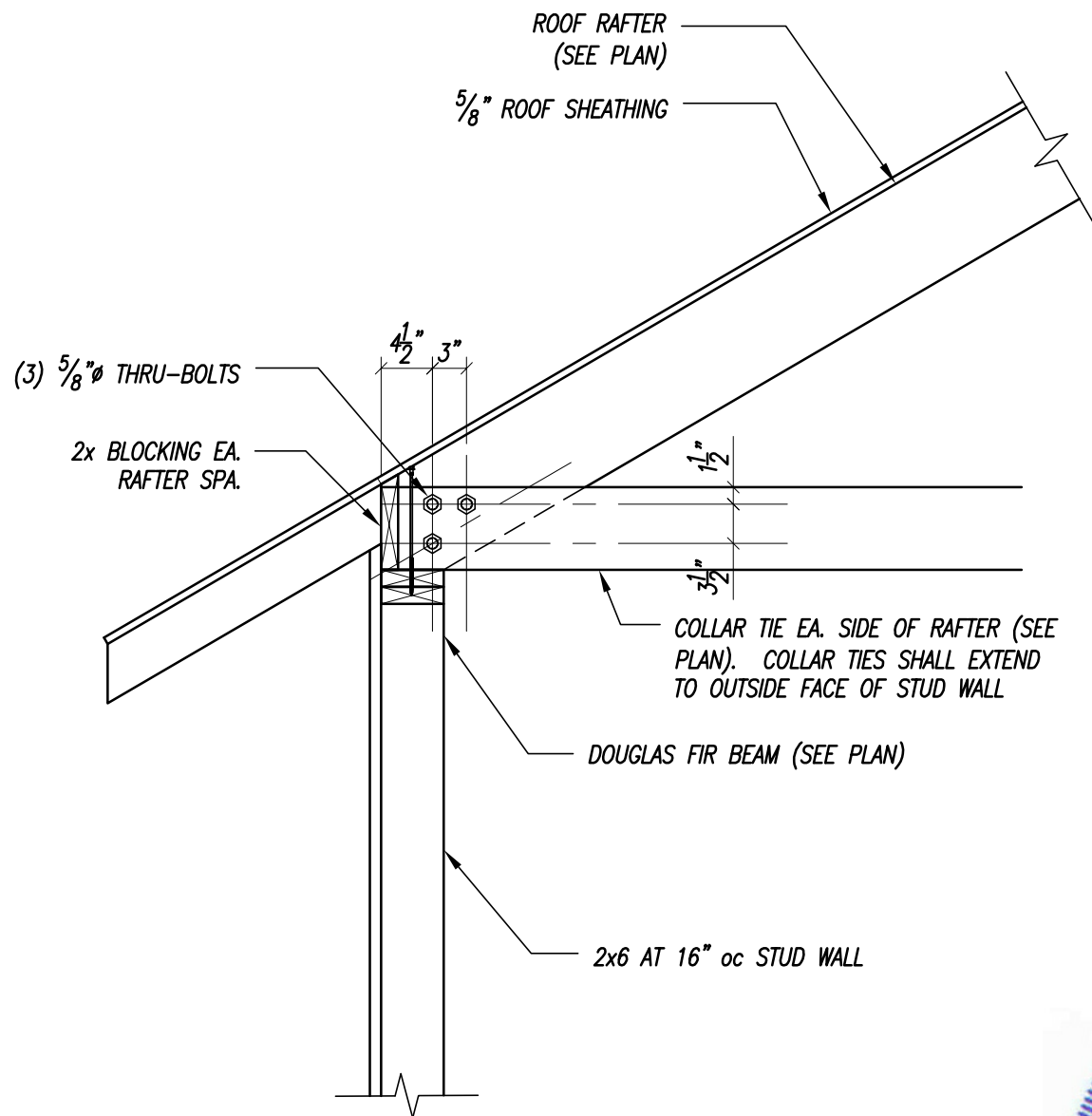
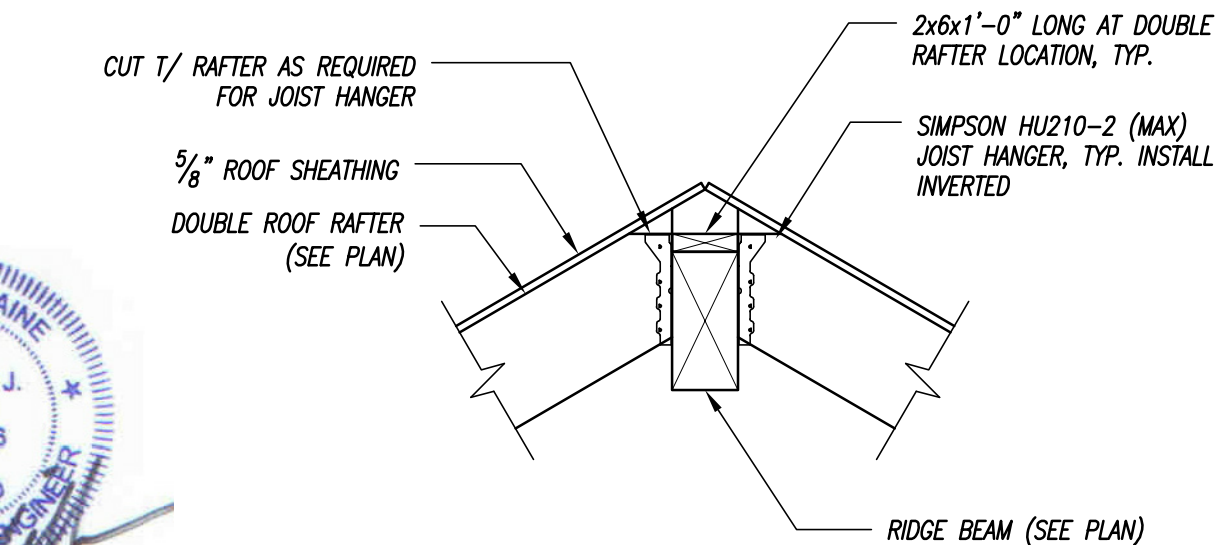
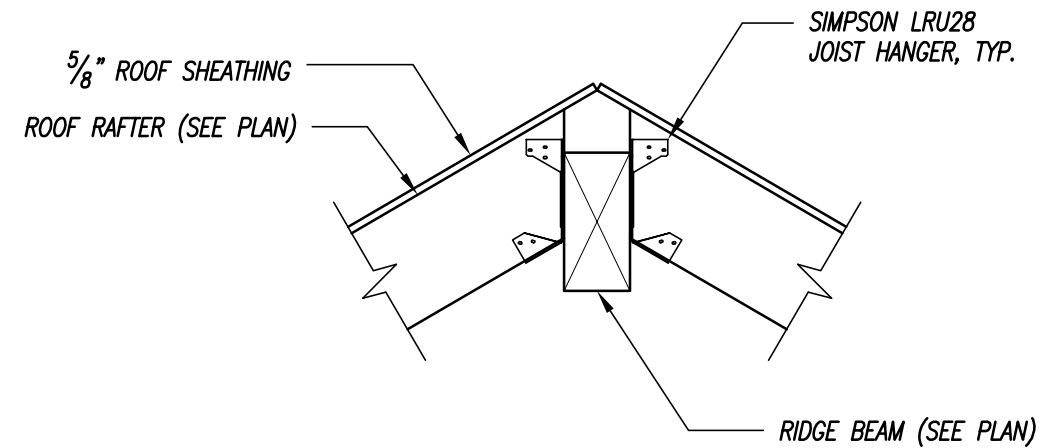


5 SECTION  
3/4" = 1'-0"



6 SECTION  
3/4" = 1'-0"



7 SECTION AT TIED RAFTER  
3/4" = 1'-0"