

DOUGLAS FIR RAFTER TAIL. FASTEN TO RAFTER w/ (2) ROWS OF 0.148"Ø x 3" LONG NAILS AT 6" oc

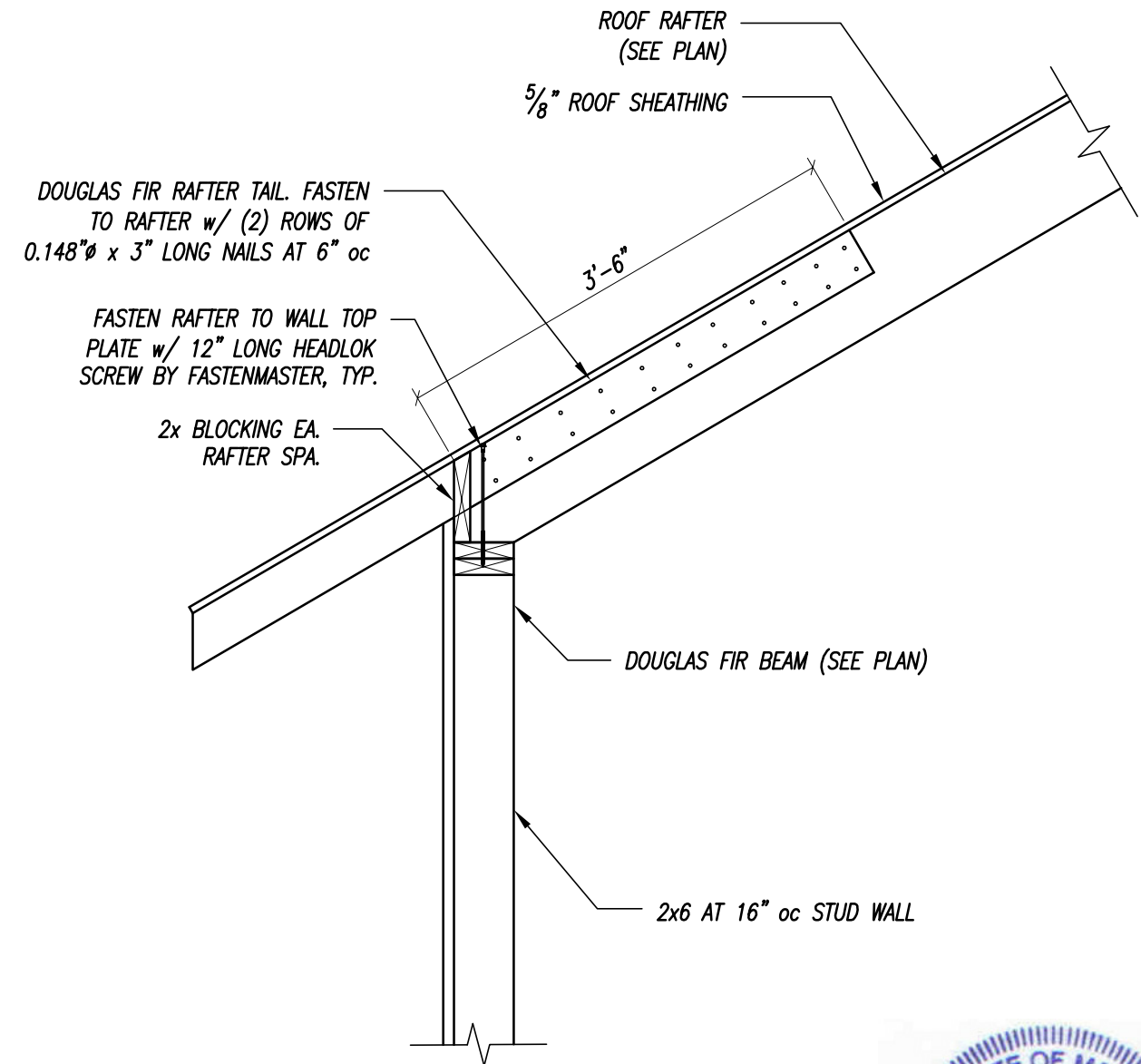
FASTEN RAFTER TO BEAM w/ 12" LONG HEADLOK SCREW BY FASTENMASTER, TYP.

2x BLOCKING EA. RAFTER SPA.

DOUGLAS FIR BEAM (SEE PLAN)

2x6 AT 16" oc STUD WALL

3 SECTION
3/4" = 1'-0"



DOUGLAS FIR RAFTER TAIL. FASTEN TO RAFTER w/ (2) ROWS OF 0.148"Ø x 3" LONG NAILS AT 6" oc

FASTEN RAFTER TO WALL TOP PLATE w/ 12" LONG HEADLOK SCREW BY FASTENMASTER, TYP.

2x BLOCKING EA. RAFTER SPA.

DOUGLAS FIR BEAM (SEE PLAN)

2x6 AT 16" oc STUD WALL

4 SECTION
3/4" = 1'-0"

