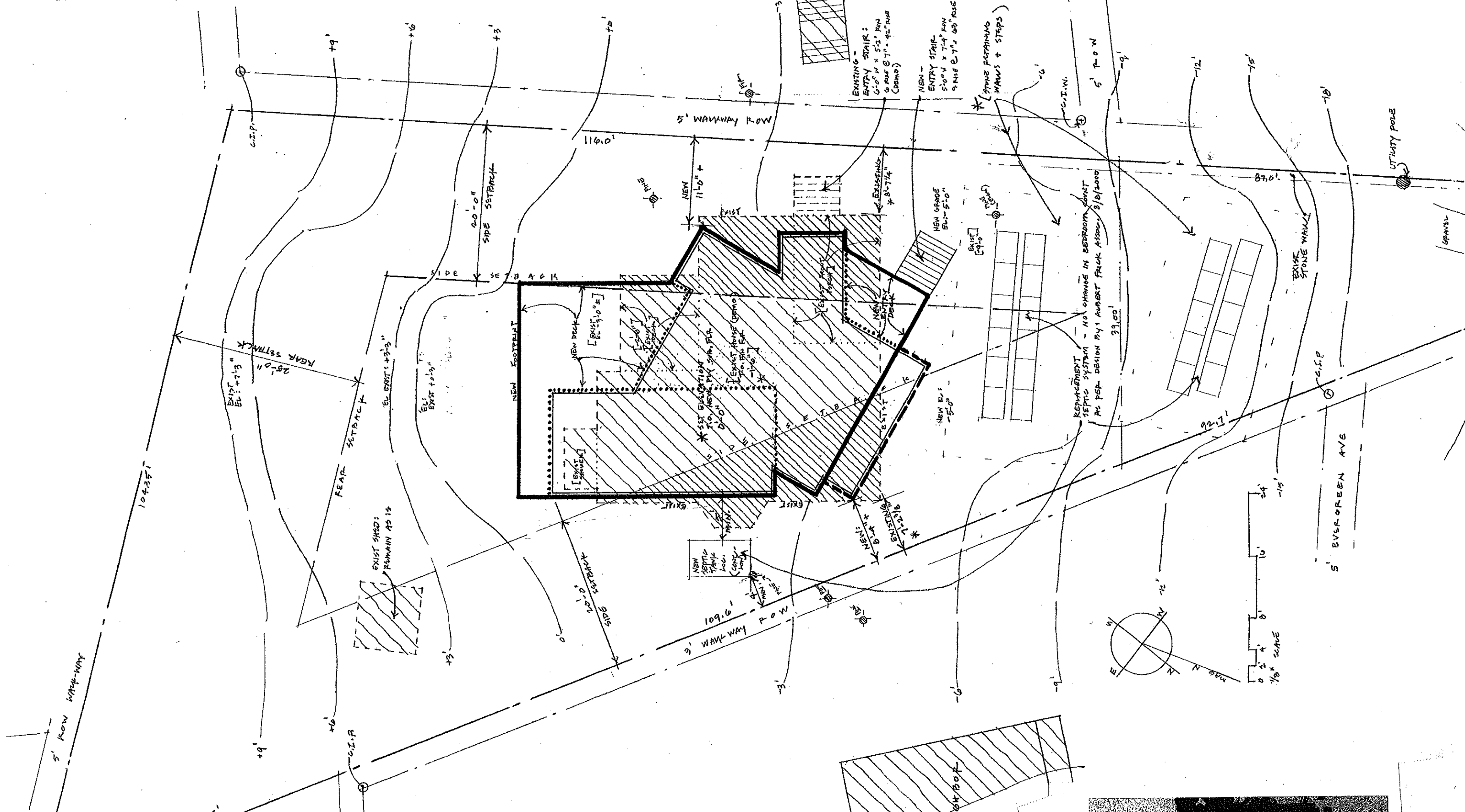


Project:

FILIPPOS RESIDENCE
PEAKS ISLAND, ME

Notes:



Architect:
Whitton Architects
37 Silver Street, P.O. Box 404
Portland, Maine 04112
207-774-0111; fax: 775-3744

Drawing:
SITE PLAN

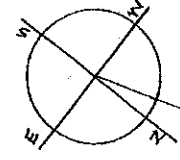
Scale:
1/8" SCALE

Date:
2-2-01

Revisions:

Sheet:

A-100



REPLACEMENT - NO CHANGE IN BEDROOM SEWANT
SEPTIC SYSTEM AS PER DESIGN BY AUGUST FRANK ASSOC. 8/8/2000
39,00'

5' EVERGREEN AVE

UTILITY POLE

EXIST. STONE WALL

NEW ENTRY STAIR
5'-0" X 7'-4" RUN
9" RISE @ 7 1/2" = 68" RISE

EXISTING STAIR:
ENTRY STAIR
6'-0" X 5'-2" RUN
9" RISE @ 7 1/2" = 42" RISE
(CRAND)

5' WALKWAY ROW

5' WALKWAY ROW

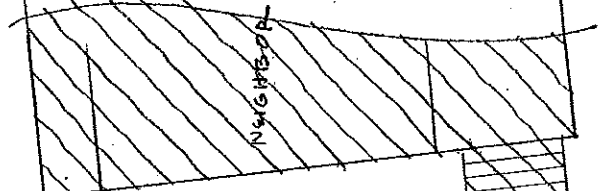
EXIST SHED:
REMAIN AS IS

REAR SETBACK
25'-0"

20'-0" SIDE SETBACK

NEW FOOTPRINT

20'-0" ADDRESS SIDE SETBACK



NEW SEPTIC TANK
LOC. CONC. FOUND.

NEW GRADE
EL. = 5'-0"

NEW EL. = 5'-0"

EXIST. [9'-0"]

EXIST. [9'-0"]

EXIST. [9'-0"]

EXIST. [9'-0"]

EXIST. [9'-0"]

EXIST. [9'-0"]

EXIST. [9'-0"]

EXIST. [9'-0"]

EXIST. [9'-0"]

EXIST. [9'-0"]

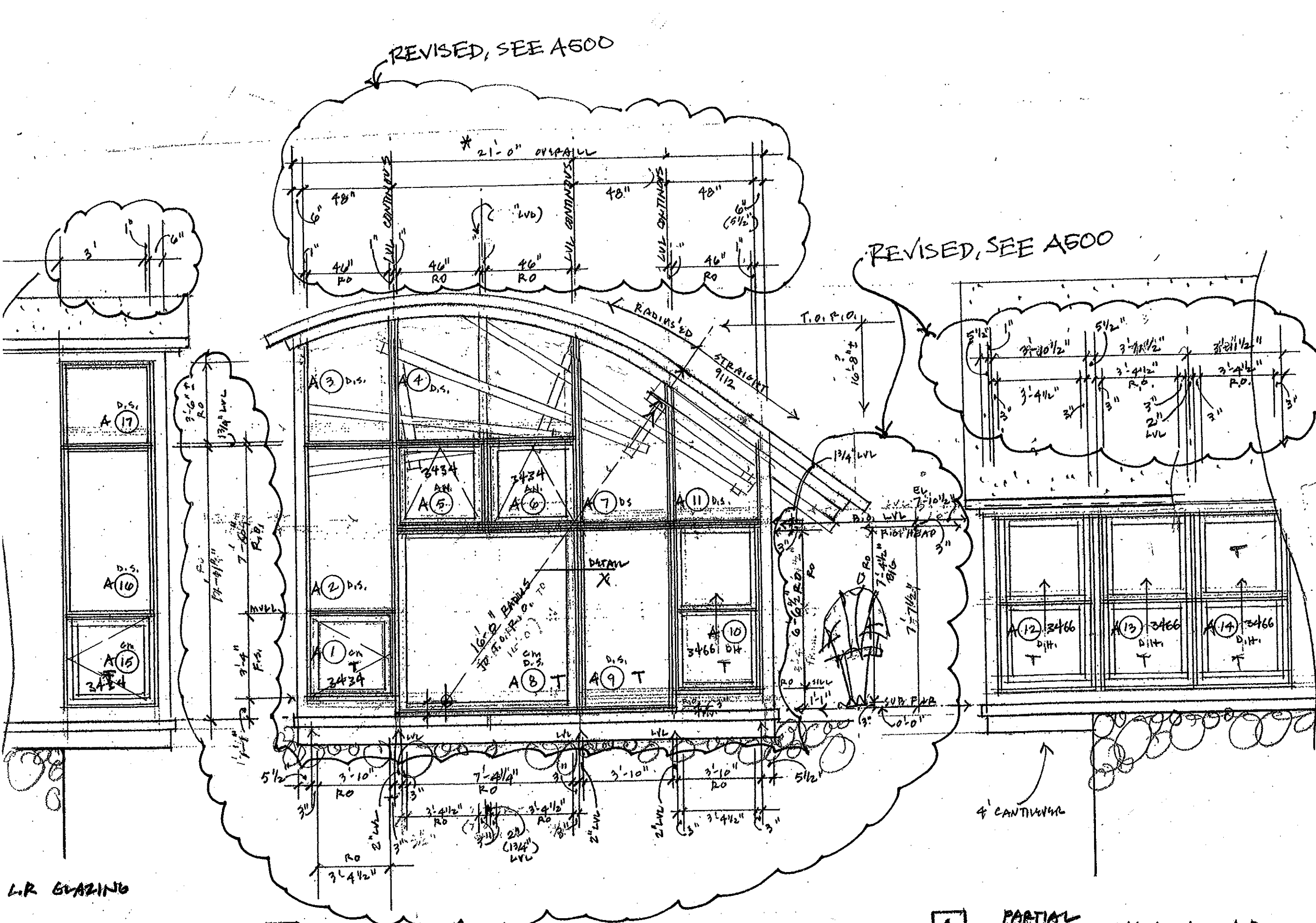
EXIST. [9'-0"]

EXIST. [9'-0"]

EXIST. [9'-0"]

EXIST. [9'-0"]

EXIST. [9'-0"]



L.R. GLAZING
 PARTIAL
 EAST ELEVATION
 1/4"

A NORTH ELEVATION - LIVING ROOM GLAZING
 1/4" SCALE

A PARTIAL
 WEST ELEVATION - L.R.
 1/4"

"T" INDICATES TEMPERED GLASS REQ'D.

Architect:

Whitten Architects

37 Silver Street, P.O. 1
 Portland, Maine 04112
 207-774-0111 fax: 77

Drawing:

NORTH + V
 * ELEVATION

A

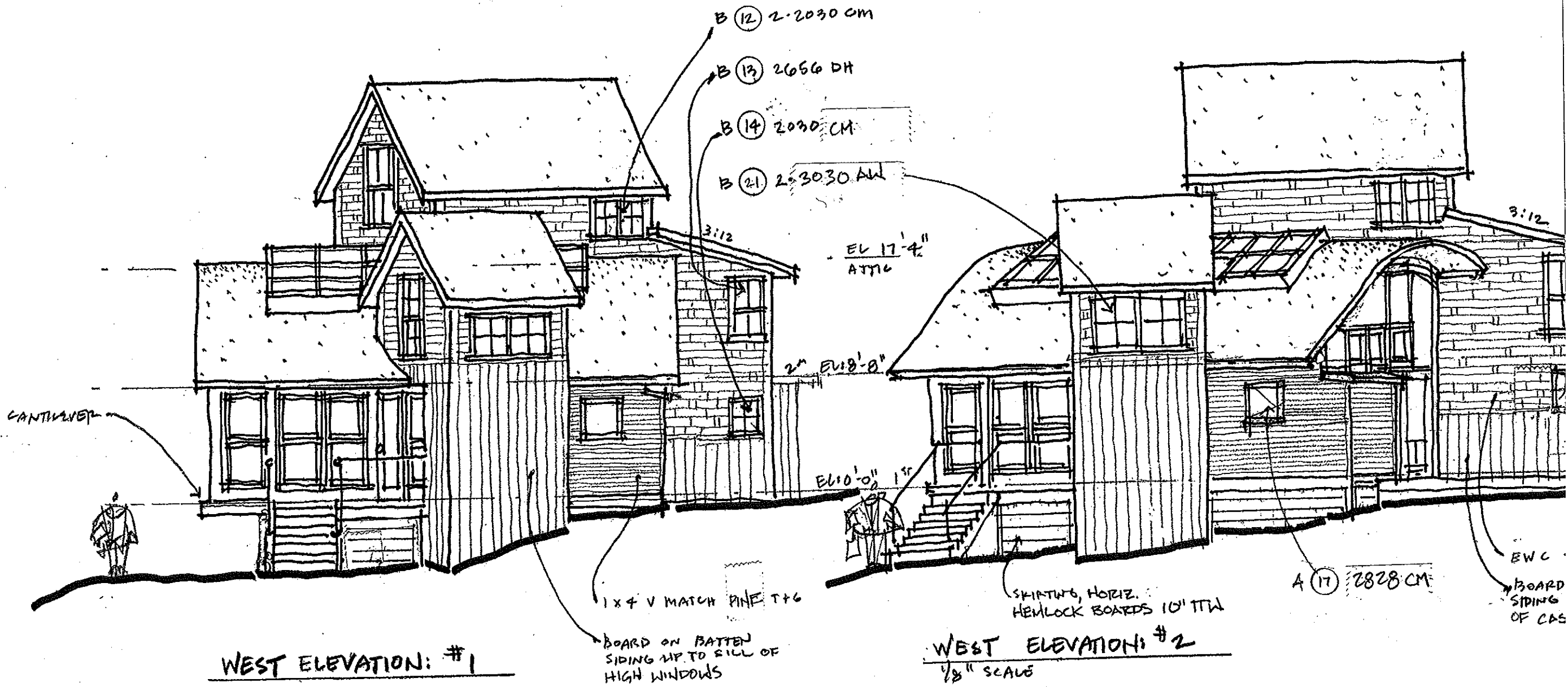
Scale:
 AS NOTED

Date:
 2.2.01

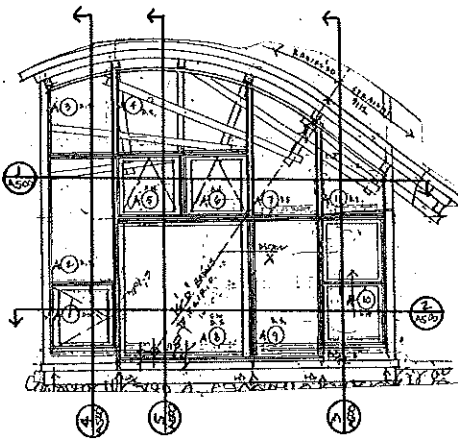
Revisions:

Sheet:

A. 201



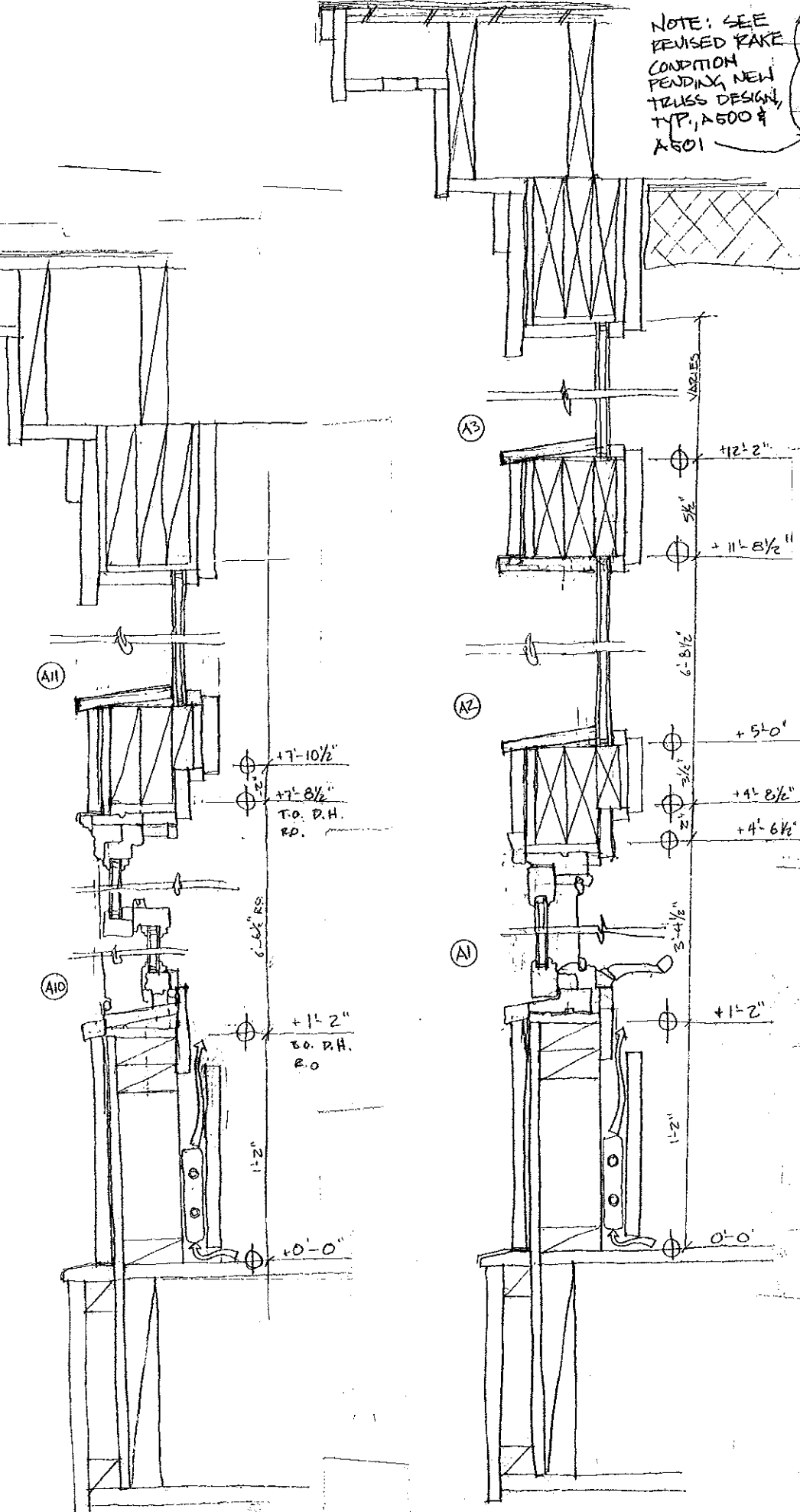
Notes:



NOTE: SEE REVISED RAKE CONDITION PENDING NEW TRUSS DESIGN, TYP., A500 & A501

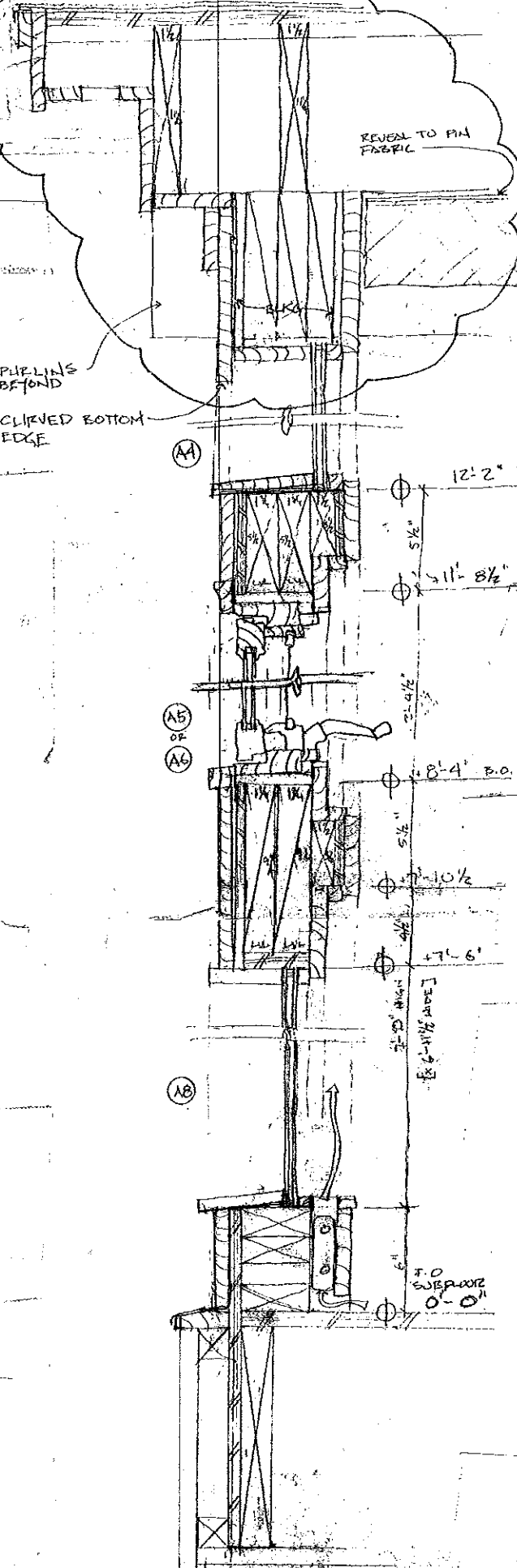
REVEAL TO FIN FABRIC

PIPE LING BEYOND
CHIPPED BOTTOM EDGE

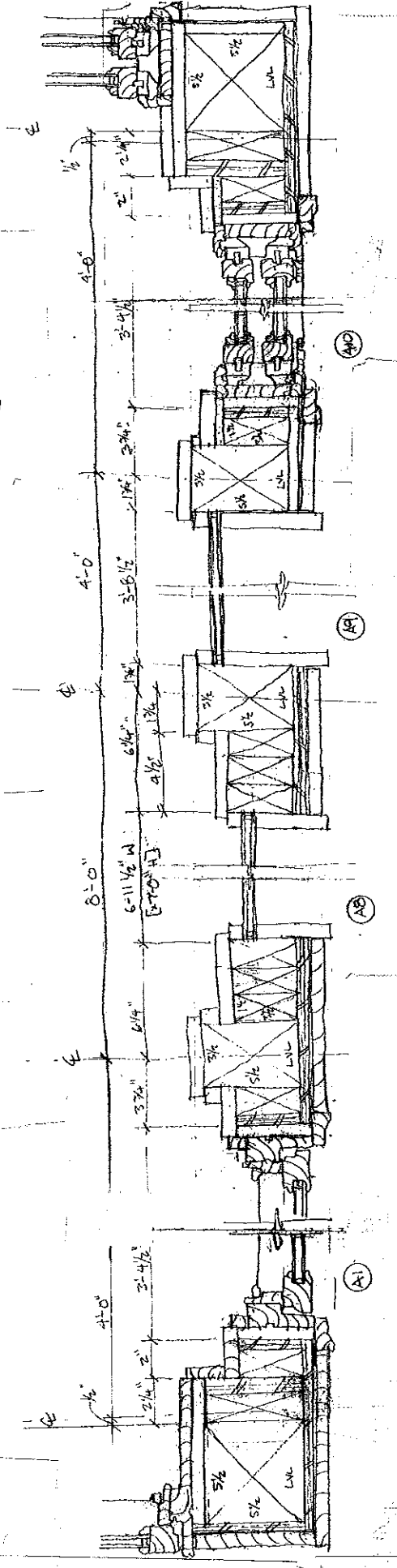


5 VERT. SECTION - NORTH ELEV.
A500 3/4" = 1'-0"

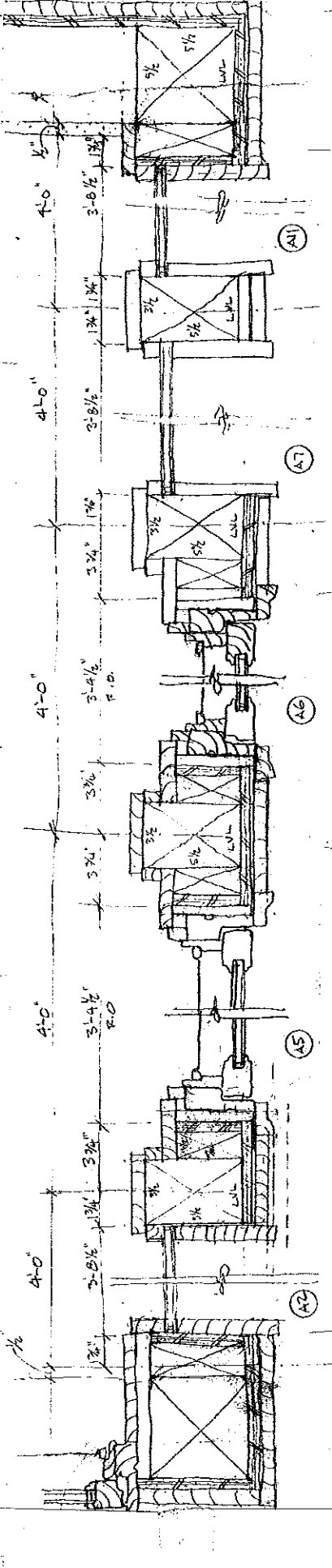
6 VERT. SECTION - NORTH ELEVATION
A500 3/4" = 1'-0"



3 VERT. SECTION - NORTH ELEV.
A500 3/4" = 1'-0"



2 Horiz. SECTION - NORTH ELEV.
A500 3/4" = 1'-0"



1 Horiz. SECTION - NORTH
A500 3/4" = 1'-0"

Architect:
Whitton Architects
37 Silver Street, P.O. Box 404
Portland, Maine 04112
207-774-0111 fax: 775-3744

Drawing:
Wall / Window Section Details

Scale:
3/4" = 1'-0"

Date:
2-2-01

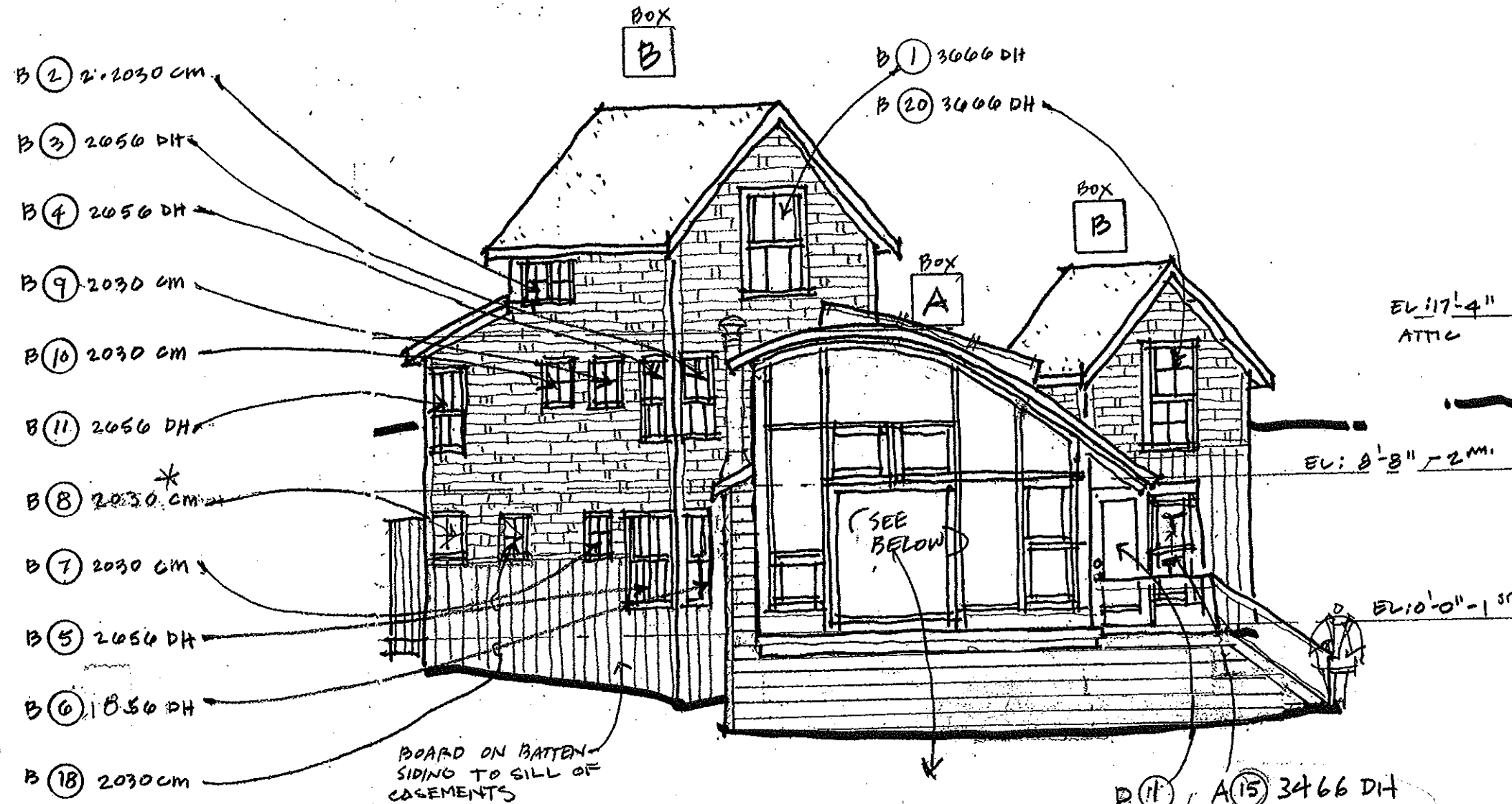
Revisions:
None

Sheet:
A500

Project:

FILIPPOS RESID
PEAKS ISLAND

Notes:



NORTH ELEVATION: #1

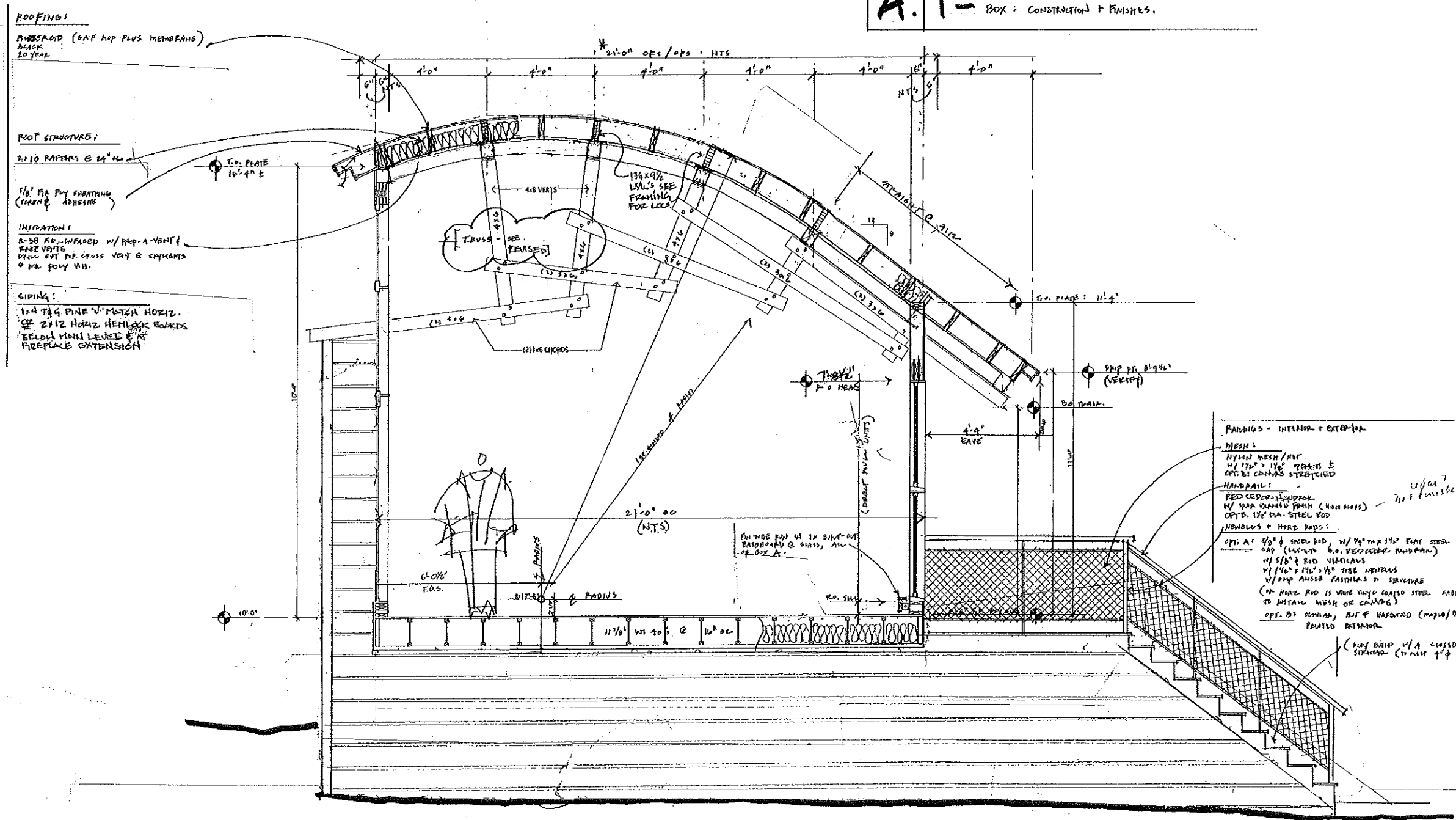


NORTH ELEVATION: #2
1/8" SCALE

HINGLES
ON BATTEN
UP TO SILL
EMENTS

WOOD F
STEPS
BOARD
BASE S

A.1 - Box: Construction + Finishes.



Architect:
 Whitten Architects
 37 Silver Street, P.O. Box 404
 Portland, Maine 04112
 207-774-0111 fax:775-3744

Drawing:

A.1 (C-C)

Scale:
 1/2" = 1'-0"

Date:

2.2.01

Revisions:

None

Sheet:

A.301