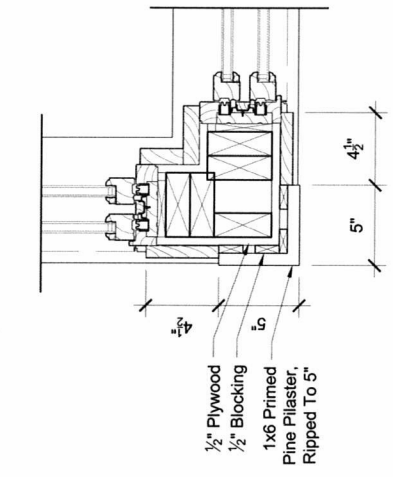
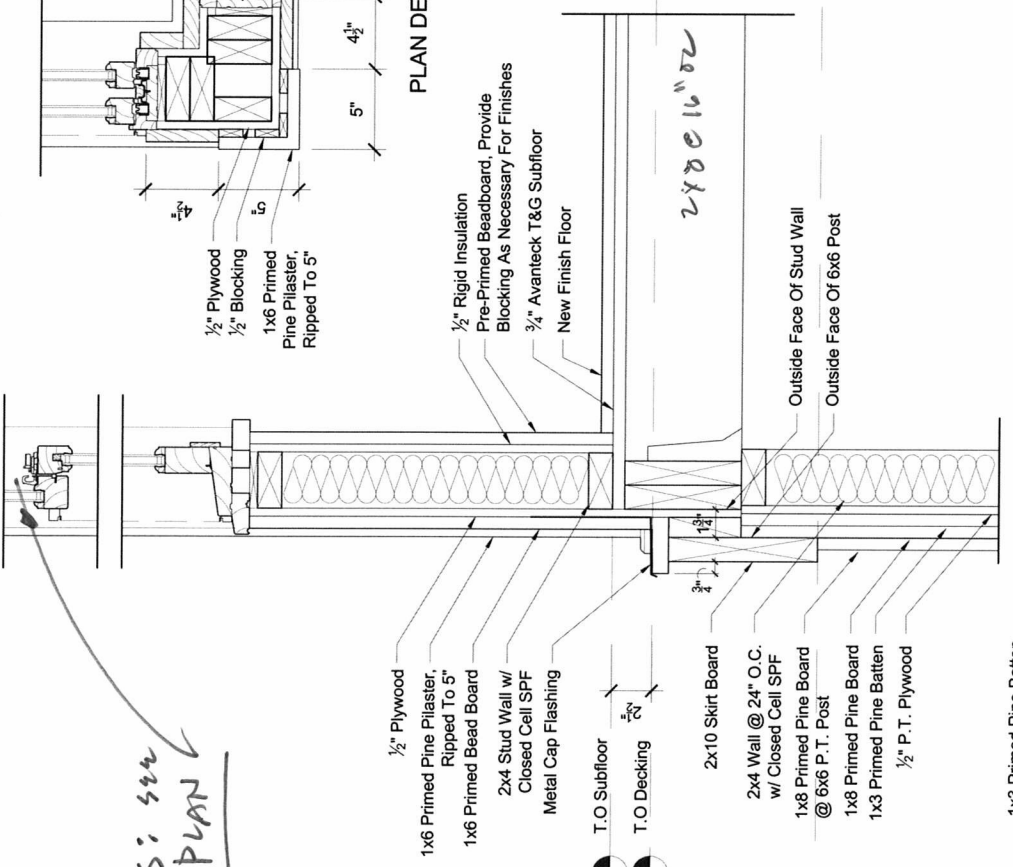


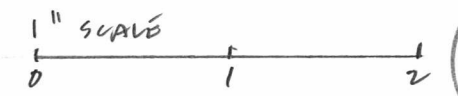
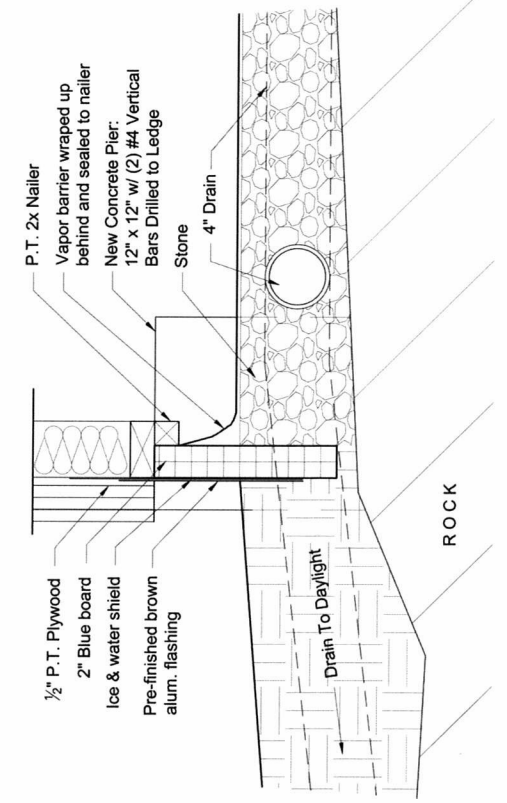
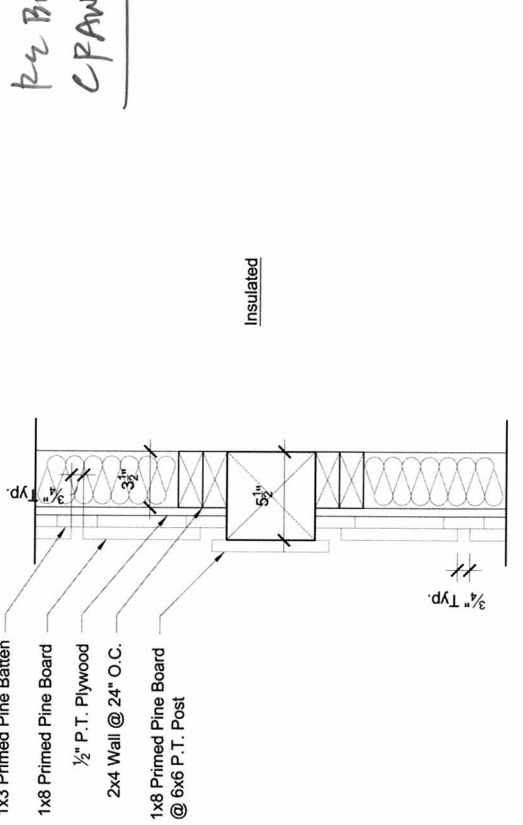
REBUILT
SUN ROOM
(AS INSULATED + COMMONING SPAC)



PLAN DETAILS @ KITCHEN WALL:



REBUILT
CRAWL SPACE



WINDOWS: SEE PLAN

(*) MATCH EXISTING MATERIALS + DIMENSIONS

SECTION AT SUN PORCH