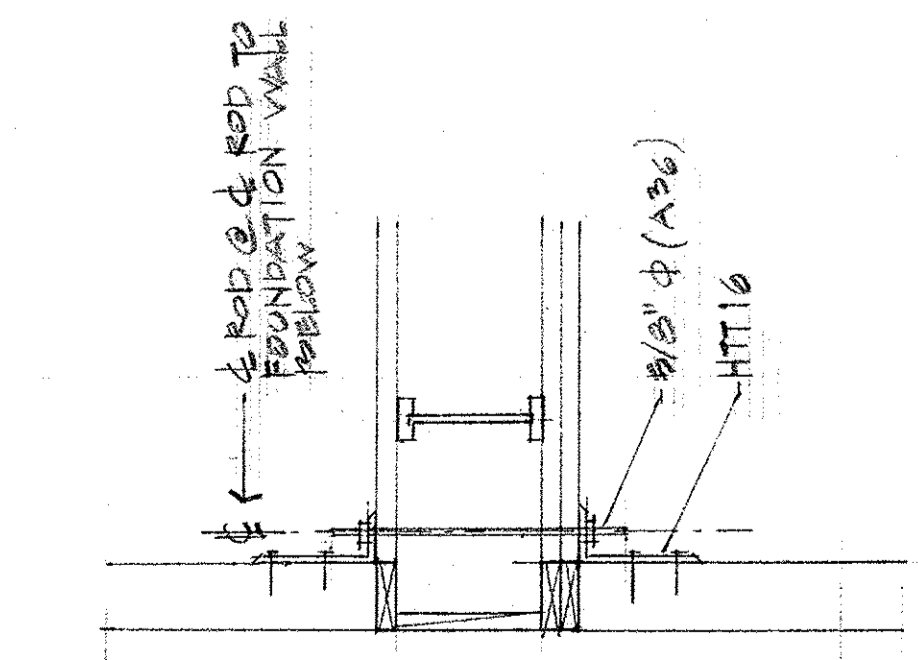


DESIGN NOTES

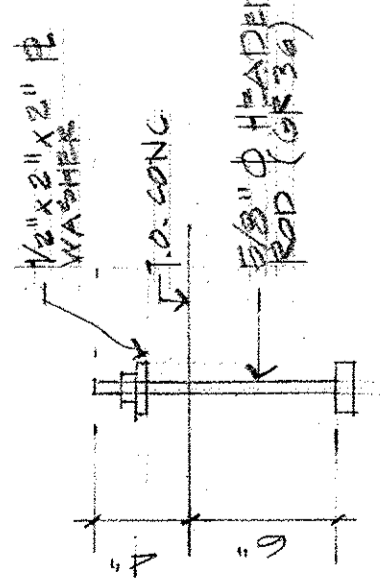
- BUILDING HAS BEEN DESIGNED IN ACCORDANCE WITH IBC 2009 / ASCE 7-05
- WIND LOADS BASED ON V = 120 MPH, EXP 1C, I = 1.0, K_{zt} = 1.0
- SNOW LOADS BASED ON S_f = 50 psf, C_d = 0.9, C_t = 1.2, I = 1.0

GENERAL NOTES

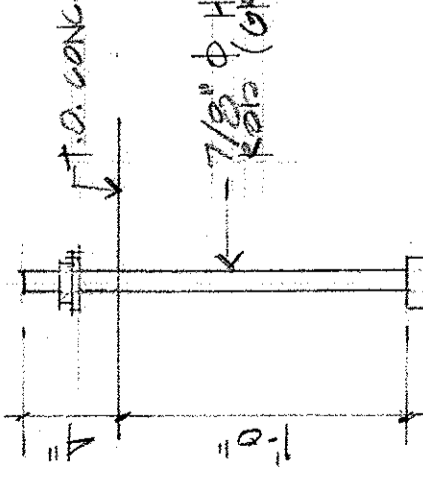
- PROVIDE (2) JACK STUPTS FOR ALL HEADERS OVER 6.0' LONG (TYP)
- ALL LUMBERS SHALL BE SPP #2 OR BETTER (MIN DRY)
- ALL FASTENERS SHALL BE CORNEN NAILS (H.DIP GALV) WHERE 'SS' IS INDICATED, PROVIDE STAINLESS STEEL FASTENERS & METALL CONNECTIONS
- ALL ENGINEERED WOOD SHALL BE POISE CASCADE LLC, DO NOT SUBSTITUTE MANUFACTURER WITH OUT WRITTEN APPROVAL
- ALL SIMPSON METAL CONNECTORS ARE TO BE "2MAX", U.O.N., AND STAINLESS STEEL



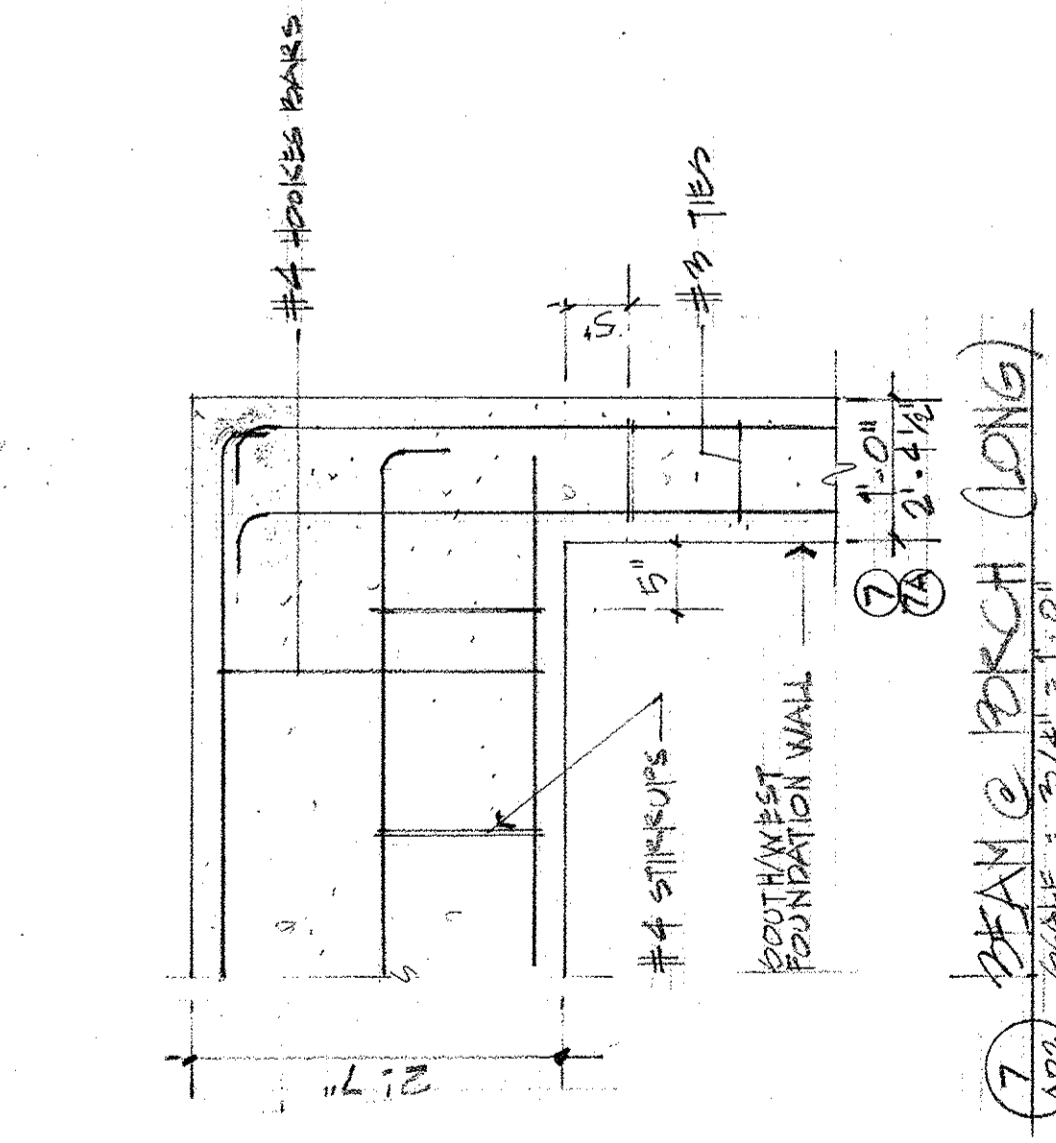
SECOND FL. TENSION TIES
SCALE: 3/4" = 1'-0"



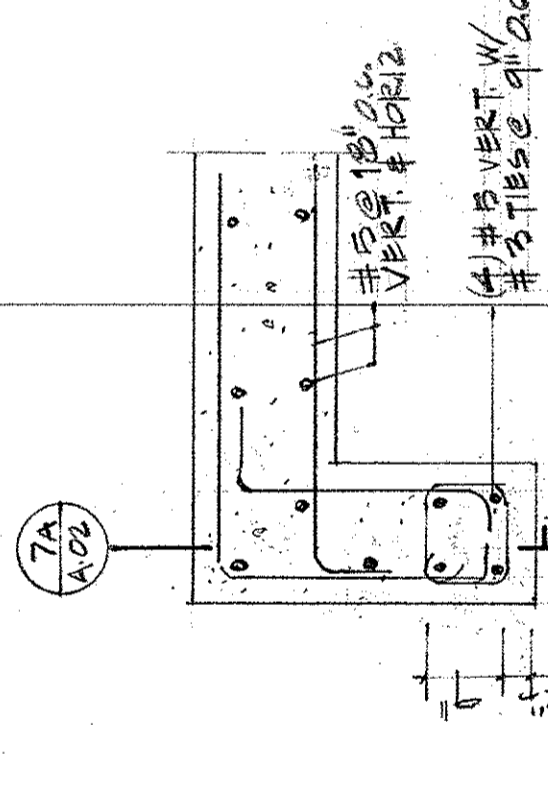
MUD SILL ANCHOR
SCALE: 1/2" = 1'-0"



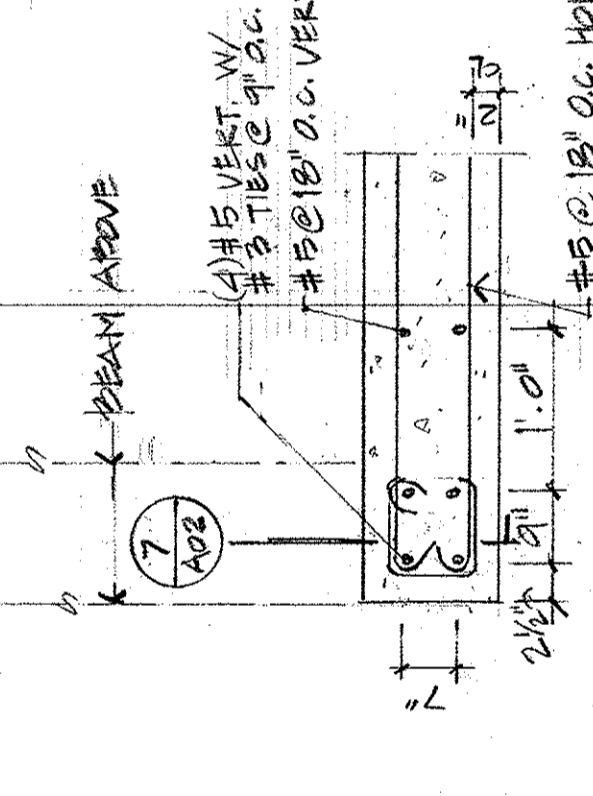
HOLD DOWN ANCHOR
SCALE: 1/2" = 1'-0"



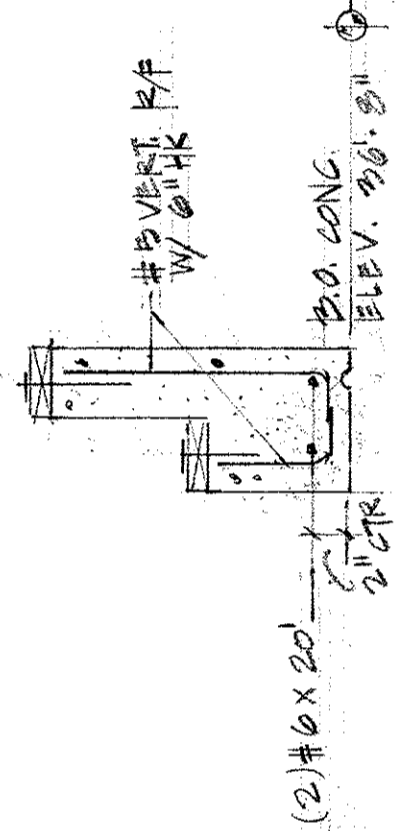
BEAM @ PORCH (LONG)
SCALE: 3/4" = 1'-0"



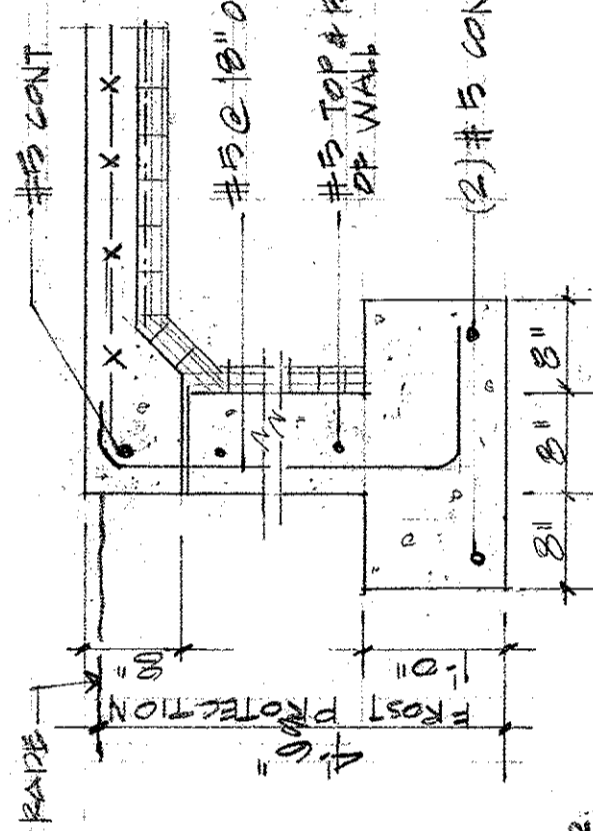
END WALL (N.E.)
SCALE: 3/4" = 1'-0"



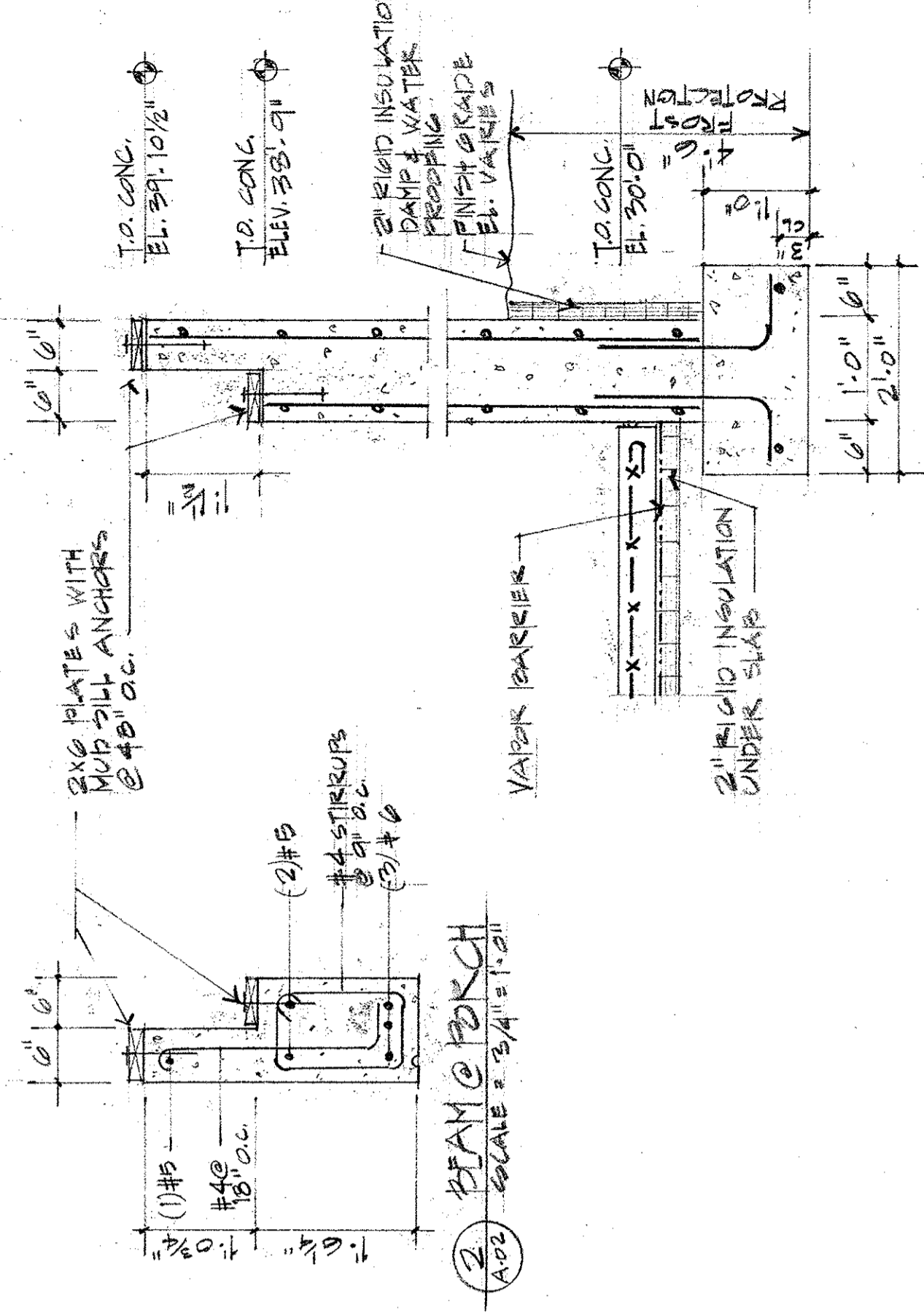
END WALL (S.W.)
SCALE: 3/4" = 1'-0"



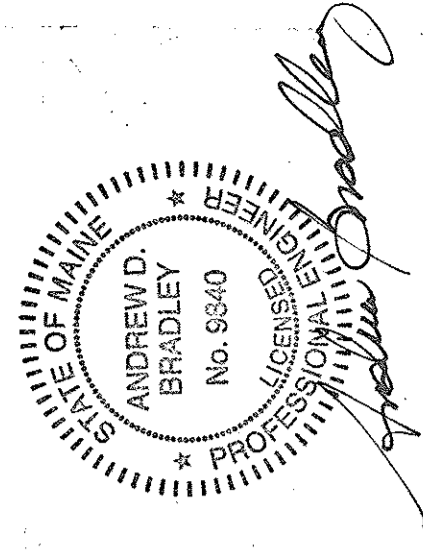
BASMT WINDOW HEAD
SCALE: 3/4" = 1'-0"



BASMT ENTRY FOOTING
SCALE: 3/4" = 1'-0"



FOUNDATION (TYP.)
SCALE: 3/4" = 1'-0"



DESIGN: A. MAHIOUS
114 POND STREET, WINCHESTER, MA 01890

DATE: 29 DEC 2010

MACISAAC - DELUCIA SUMMER RESIDENCE
499 ISLAND AVENUE, PEAKS ISLAND, PORTLAND, MAINE

STRUCTURAL
DETAIL & NOTES

A02