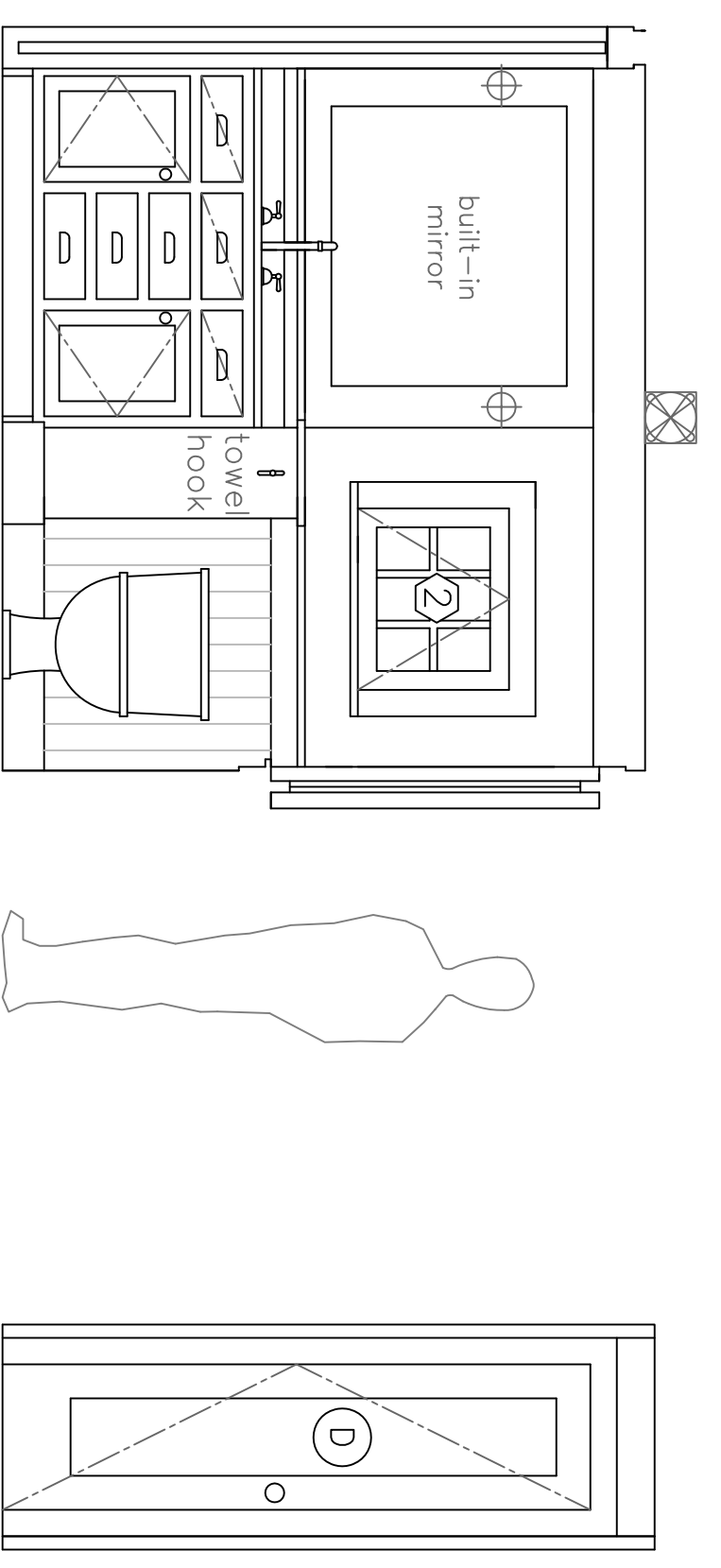


A Proposed Bath North
 $\frac{1}{2}'' = 1' - 0''$

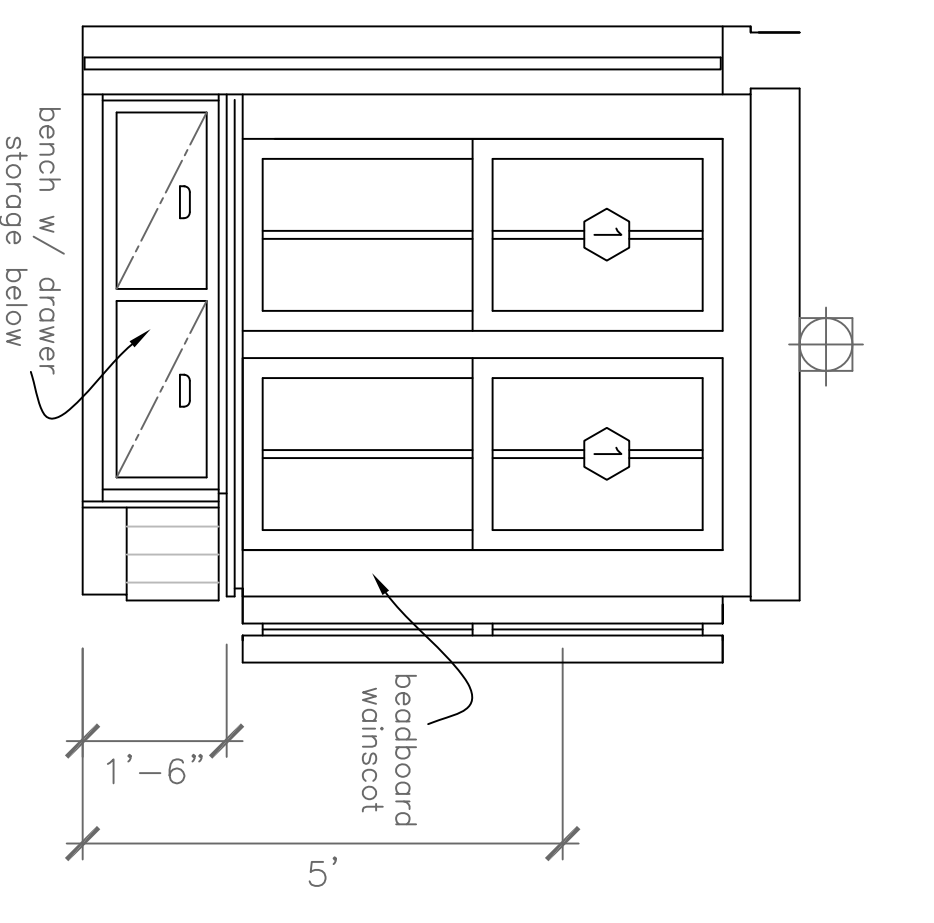
B Proposed Bath West
 $\frac{1}{2}'' = 1' - 0''$

C Proposed Bath South
 $\frac{1}{2}'' = 1' - 0''$

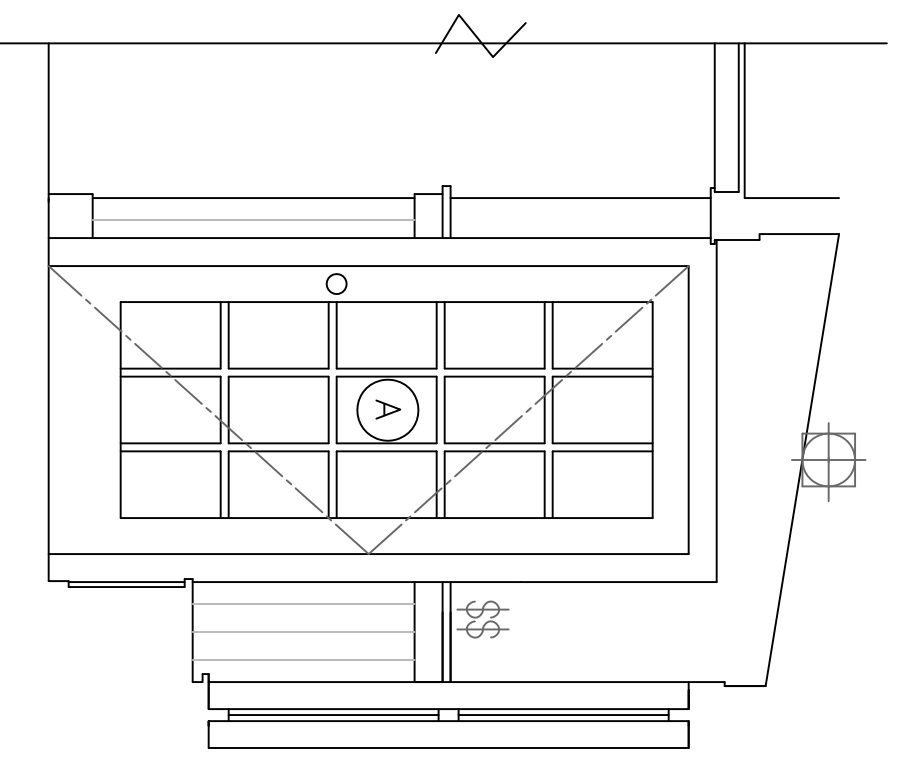


D Proposed East South
 $\frac{1}{2}'' = 1' - 0''$

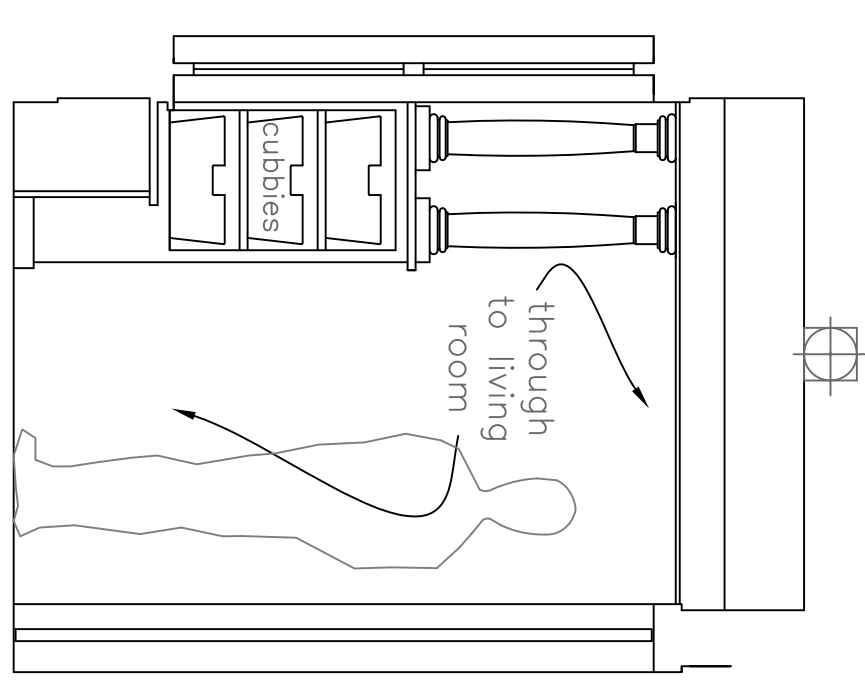
E Proposed Broom Closet Door
 $\frac{1}{2}'' = 1' - 0''$



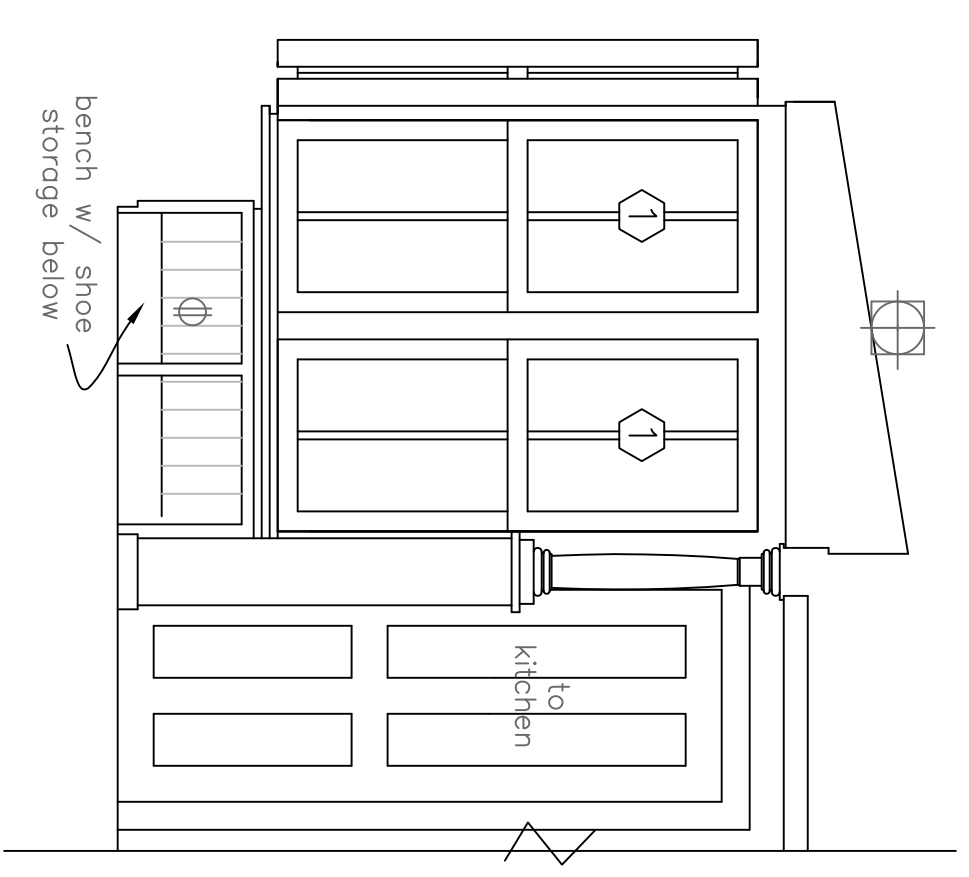
F Proposed Entry North
 $\frac{1}{2}'' = 1' - 0''$



G Proposed Entry West
 $\frac{1}{2}'' = 1' - 0''$



H Proposed Entry South
 $\frac{1}{2}'' = 1' - 0''$



I Proposed Entry East
 $\frac{1}{2}'' = 1' - 0''$

Interior Elevations

PROJECT
 "Katie's Cottage"
 William's Residence
 224 Pleasant Avenue
 Peaks Island, Me.
 04108

DATE	11.30.12	REVISED	12.15.12
			1.13.13
			1.14.13
SCALE	$\frac{1}{4}'' = 1' - 0''$	DRAWN BY	Rachel

NOTES