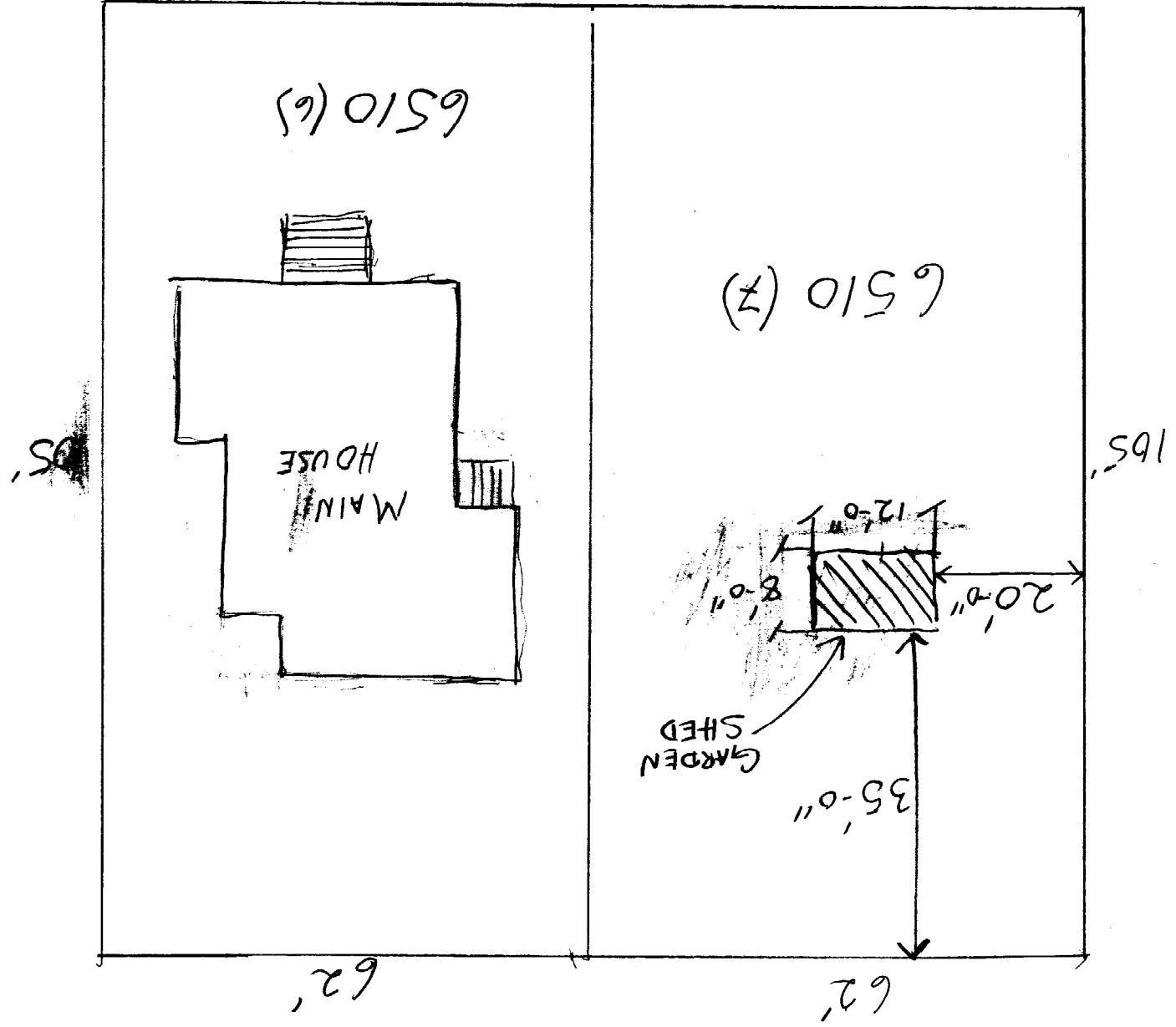


(A) 207-766 2237
 (W) 207-775-0592
 Email - cwinter4@earthlink.net

SUBMITTED BY: CHRISTINA WINTER
 471 ISLAND AVE
 PEAKS IS., ME
 04108

471 ISLAND AVE
 GARDEN SHED

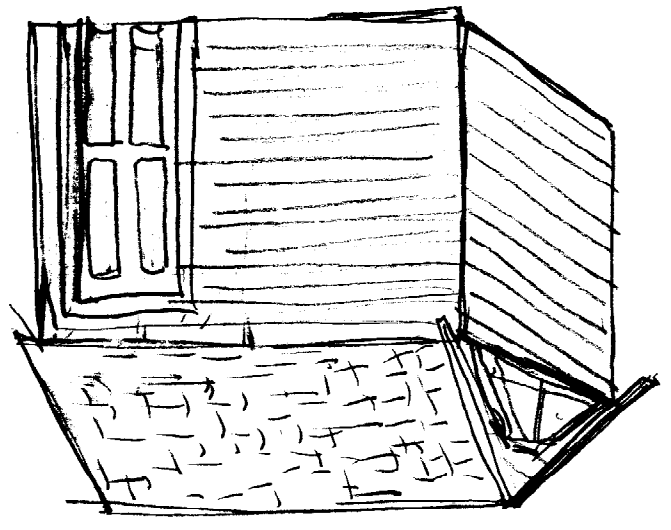
ISLAND AVE



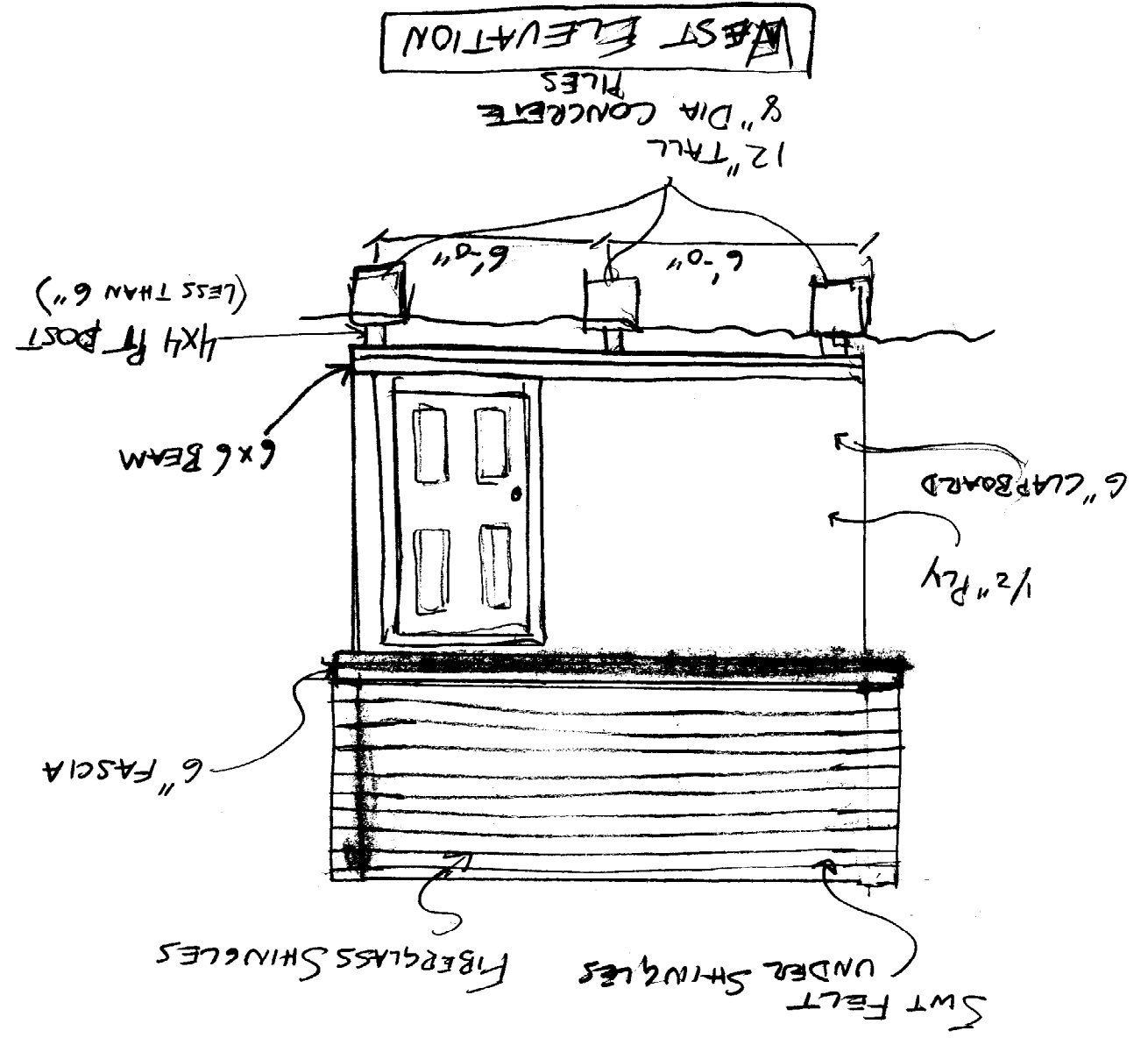
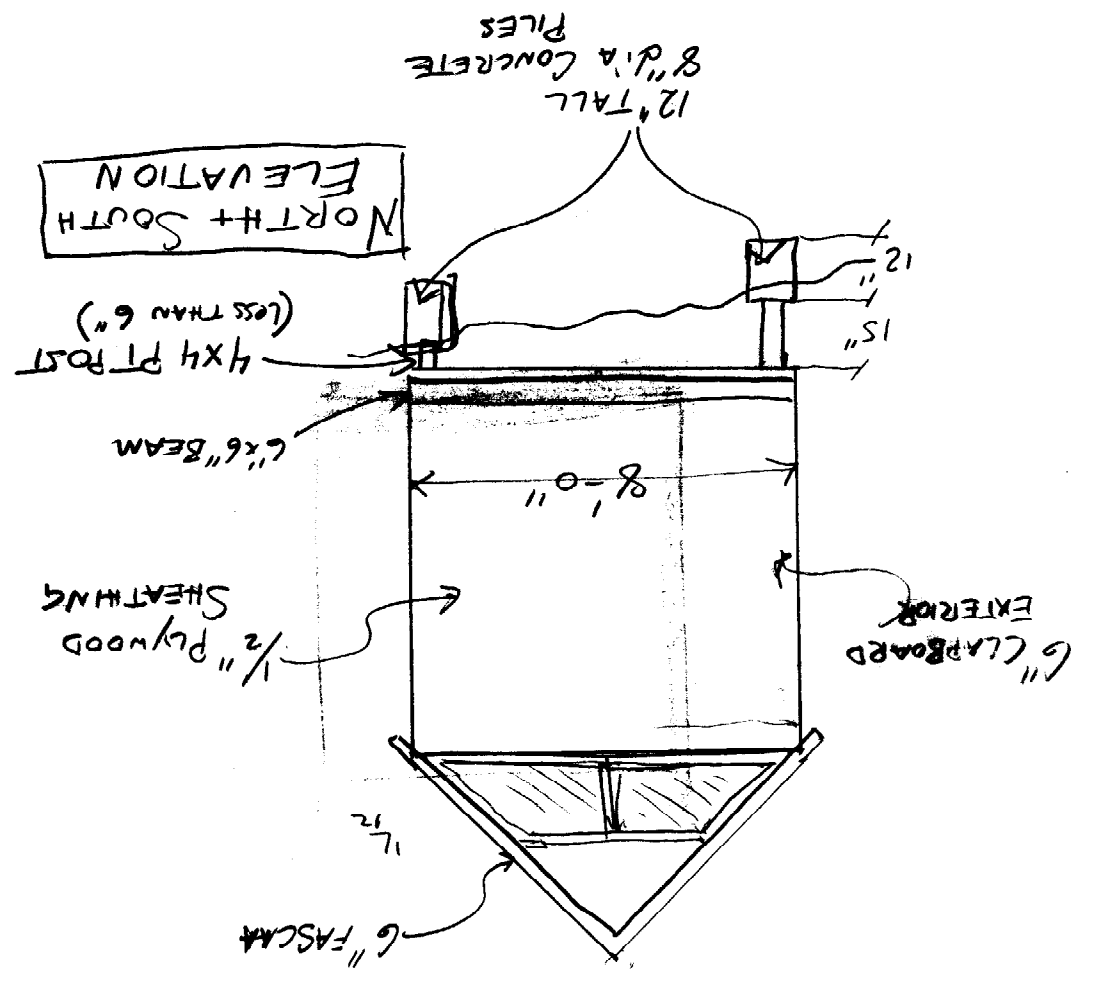
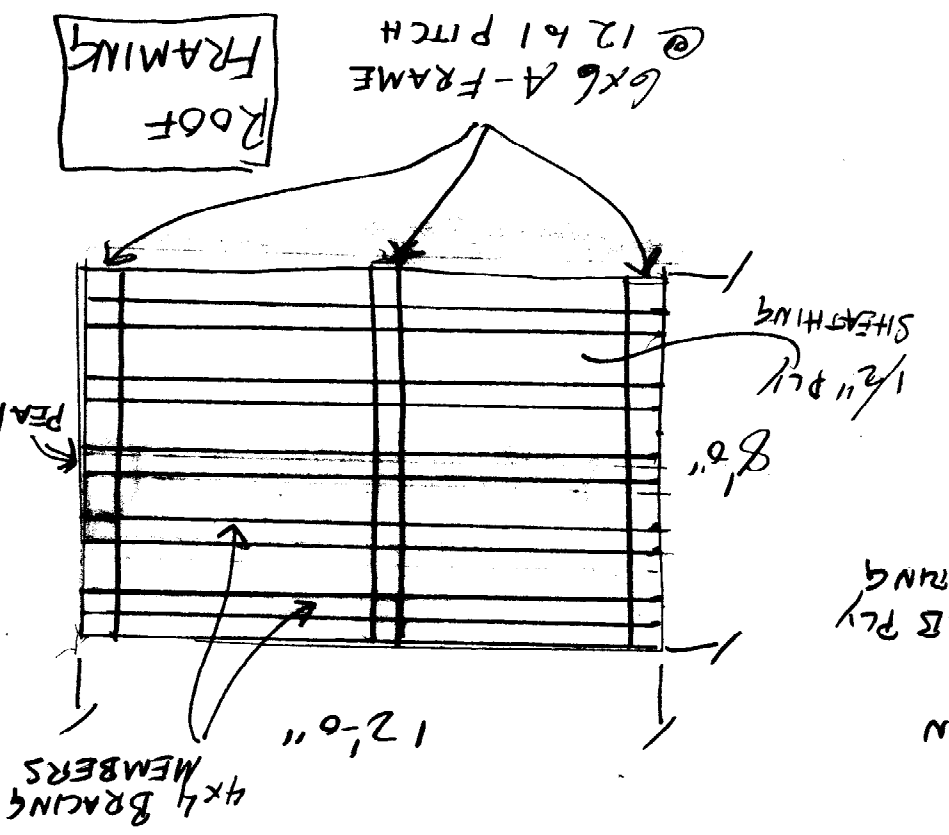
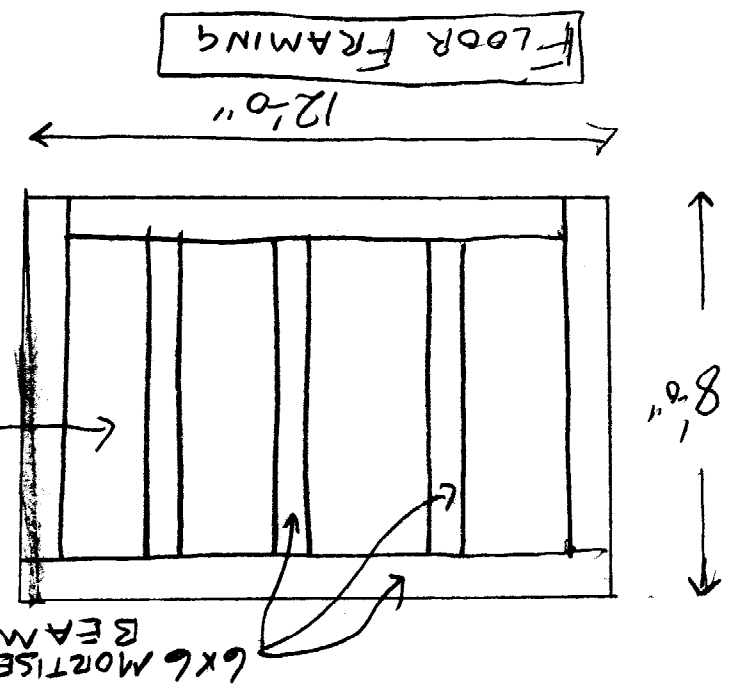
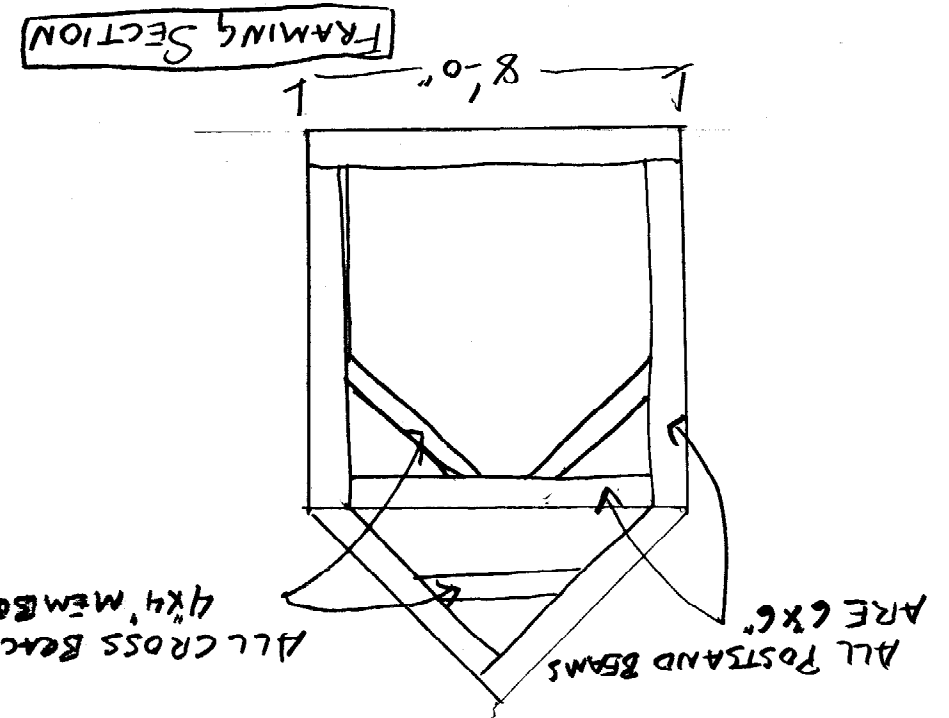
→ N

8'0" x 12'0" GARDEN SHED (96#)

IR-2 zone
 Necessary structures
 100% or less can
 be a minimum
 of 10' from property
 lines



NOTE: ALL FRAMING JOINTS ARE MORTISE AND TENON



- GENERAL NOTES
- ① All Simpson Ties + Structural Metal to be Galvanized
 - ② All Nails are to be Galvanized
 - ③ All Structural Members are Rough Dims.
 - ④ All Posts + Beams are 6x6
 - ⑤ All Bracing Members are 4x4
 - ⑥ All Structural Connectors are Mortise + Tenon

SWT FELT UNDER SHINGLES
FIBERGLASS SHINGLES