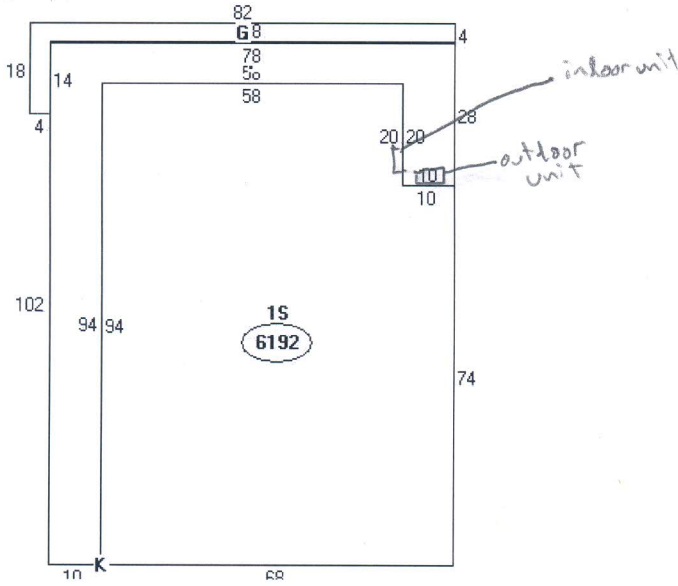


TEIA

17 Sneyethen Ave, Peaks Island



Descriptor/Area	Area
A: 064	6192 sqft
B: PORCH, OPEN	384 sqft
C: PORCH COVERED	1764 sqft
D: TC2	1 sqft
E: 1S	6192 sqft
F: 1S PORCH	1764 sqft
G: 1S WD DK	384 sqft
H: FN1	3840 sqft
I: FN1	720 sqft
J: BD1	448 sqft
K: BD1	256 sqft