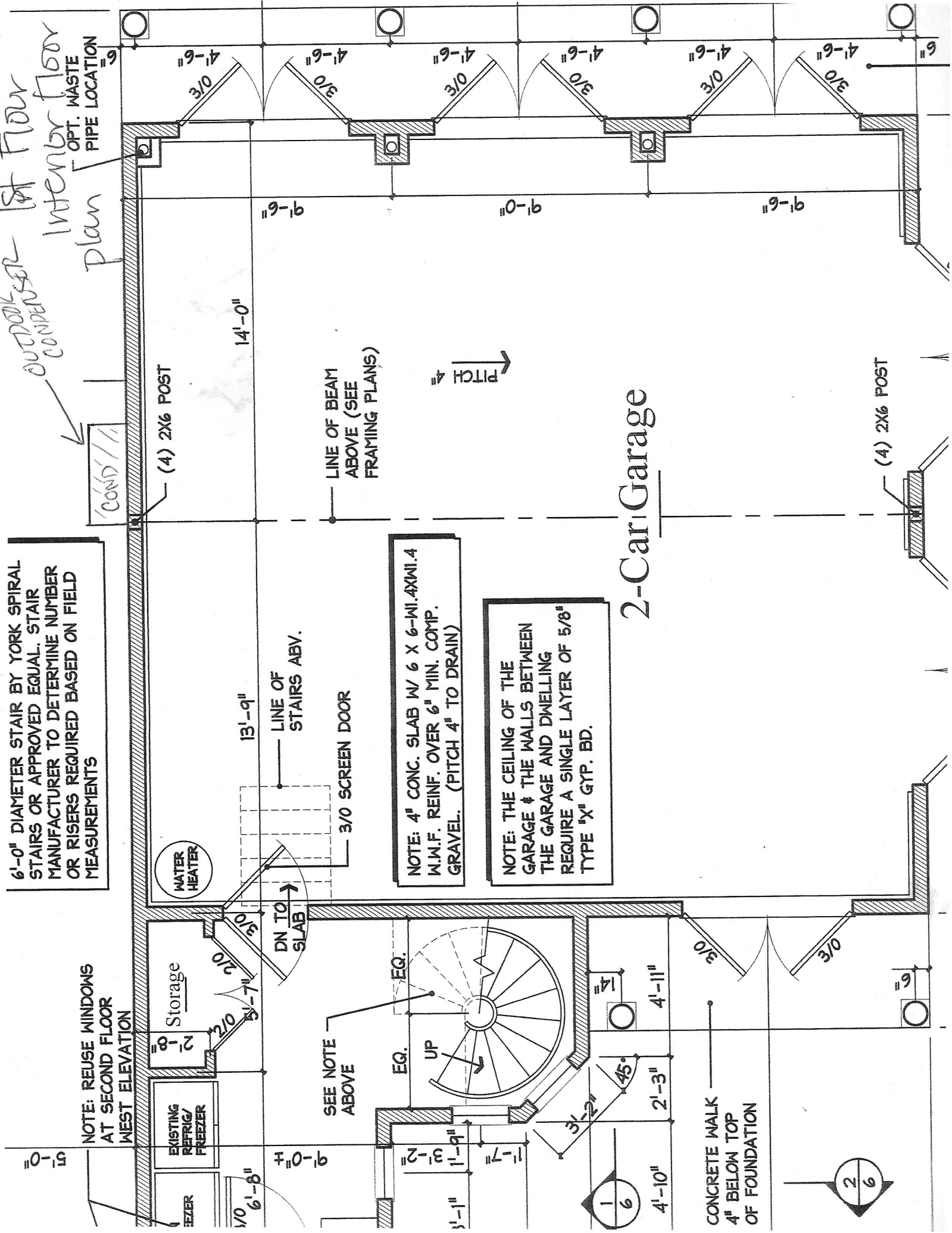


6'-0" DIAMETER STAIR BY YORK SPIRAL STAIRS OR APPROVED EQUAL. STAIR MANUFACTURER TO DETERMINE NUMBER OR RISERS REQUIRED BASED ON FIELD MEASUREMENTS

NOTE: REUSE WINDOWS AT SECOND FLOOR WEST ELEVATION



OUTDOOR CONDENSER  
 INTERIOR FLOOR  
 OPT. WASTE PIPE LOCATION

(4) 2X6 POST

LINE OF BEAM ABOVE (SEE FRAMING PLANS)

PITCH 4"

2-Car Garage

(4) 2X6 POST



13'-9" LINE OF STAIRS ABV.

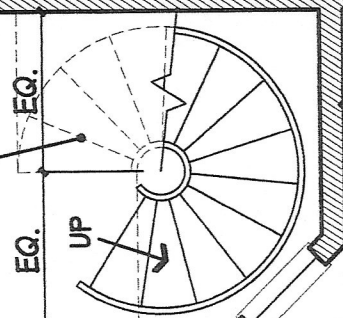
3/0 SCREEN DOOR

NOTE: 4" CONC. SLAB W/ 6 X 6-WI. 4XW1.4 W.W.F. REINF. OVER 6" MIN. COMP. GRAVEL. (PITCH 4" TO DRAIN)

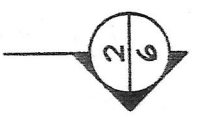
NOTE: THE CEILING OF THE GARAGE & THE WALLS BETWEEN THE GARAGE AND DWELLING REQUIRE A SINGLE LAYER OF 5/8" TYPE 'X' GYP. BD.



SEE NOTE ABOVE



CONCRETE WALK 4" BELOW TOP OF FOUNDATION



5'-0"

6'-8"

9'-0"

1'-7"

1'-9"

3'-2"

4'-10"

2'-3"

4'-11"

6"

2'-0"

2'-0"

2'-0"

2'-0"

2'-0"

2'-0"

2'-0"

2'-0"

2'-0"

2'-0"

2'-0"

2'-0"

2'-0"

2'-0"

2'-0"

2'-0"

2'-0"

2'-0"

2'-0"

2'-0"

2'-0"

2'-0"

2'-0"

2'-0"

2'-0"

2'-0"

2'-0"

2'-0"

2'-0"

2'-0"

2'-0"

2'-0"

2'-0"

2'-0"

2'-0"

2'-0"

2'-0"

2'-0"

2'-0"

2'-0"

2'-0"

2'-0"

2'-0"

2'-0"

2'-0"

2'-0"

2'-0"

2'-0"

2'-0"

2'-0"

2'-0"

2'-0"

2'-0"

2'-0"

2'-0"

2'-0"

2'-0"

2'-0"

2'-0"

2'-0"

2'-0"

2'-0"

2'-0"

2'-0"

2'-0"

2'-0"

2'-0"

2'-0"

2'-0"

2'-0"

2'-0"

2'-0"

2'-0"

2'-0"

2'-0"

2'-0"

2'-0"

2'-0"

2'-0"

2'-0"

2'-0"

2'-0"

2'-0"

2'-0"

2'-0"

2'-0"

2'-0"

2'-0"

2'-0"

2'-0"

2'-0"

2'-0"

2'-0"

2'-0"

2'-0"

2'-0"

2'-0"

2'-0"

2'-0"

2'-0"

2'-0"

2'-0"

2'-0"

2'-0"

2'-0"

2'-0"

2'-0"

2'-0"

2'-0"

2'-0"

2'-0"

2'-0"

2'-0"

2'-0"

2'-0"

2'-0"

2'-0"

2'-0"

2'-0"

2'-0"

2'-0"

2'-0"

2'-0"

2'-0"

2'-0"

2'-0"