

# Specs Venting Boiler

## Direct Venting (Two-pipe System)

Rigid Venting Systems Installation

### Vent Length Requirements

Maximum vent/air intake pipe length - horizontal

#### IMPORTANT

Always include vent termination length in calculations.

The total equivalent length specified for a two pipe system is the total **combined** length of the exhaust vent and air intake pipe system.

Do not exceed these maximum lengths.

See table 24 and fig. 50 and 51 for reference.

All PP(s) vent material and air intake (if PP(s) used) must be ULC S636 or UL1738 listed, manufactured by M&G (Muelink & Grol b.v.) / DuraVent, or Centrotherm.

Table 24 Maximum allowable equivalent length - horizontal

Boiler Model	System Ø See note below	Max. combined equivalent vent length (a + b)*2
WB1B 26, 35	2 in. (51 mm) 3 in. (76 mm) 4 in. (102 mm)*1	98 ft. (30 m) 164 ft. (50 m) 200 ft. (61 m)
WB2B 19, 26, 35, B2HA 19, 28, 35, B2HB 19, 26, 35, B2TA 19, 35, B2TB 19, 35	2 in. (51 mm) 3 in. (76 mm)*1 4 in. (102 mm)*1	115 ft. (35 m) 148 ft. (45 m) 180 ft. (55 m)
WB2B 45, 60, B2HA 45, 60	3 in. (76 mm) 4 in. (102 mm)*1	98 ft. (30 m) 148 ft. (45 m)
WB2B 80, 105, B2HA 80, 100, 112	4 in. (102 mm)	131 ft. (40 m)
B2HA 150	4 in. (100 mm)*3 5 in. (125 mm)*4	131 ft. (40 m) 131 ft. (40 m)

\*1 2 in. to 3 in. or 2 in. to 4 in. increaser field supplied.

\*2 See figure 50 and 51.

\*3 Due to higher exhaust vent pipe resistance, there is an automatic input reduction of 9% for model B2HA 150 when a 4 inch diameter vent pipe is used.

\*4 4 in. to 5 in. increaser field supplied.

**Note:** For combination of different vent/air intake pipe diameters, such as Ø 3 in. stainless steel vent with Ø 2 in. (CVPC, PVC, ABS) air intake pipe, the total equivalent length must be used for the smaller pipe diameter.

Minimum vent length is 3.3 ft. (1 m).

First elbows not included in equivalent vent length calculation

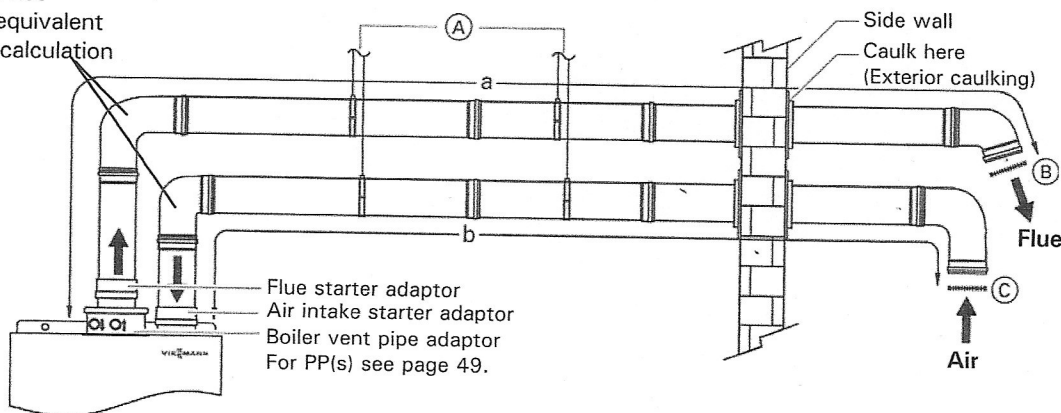


Fig. 50 Vitodens 100-W WB1B 26, 35, 222-F B2TA 19, 35 B2TB 19, 35, 200-W WB2B 19, 26, 35, 200-W B2HA 19, 28, 35, B2HB 19, 26, 35

#### Legend

- (A) Support system
- (B) Exhaust pipe termination with screen
- (C) Combustion air intake with screen
- a Equivalent vent length (exhaust)
- b Equivalent vent length (air intake)

#### IMPORTANT

For PP(s) systems, all exhaust vent and air intake piping and elbows exposed outside, must be UV resistant polypropylene (supplied by the vent manufacturer).