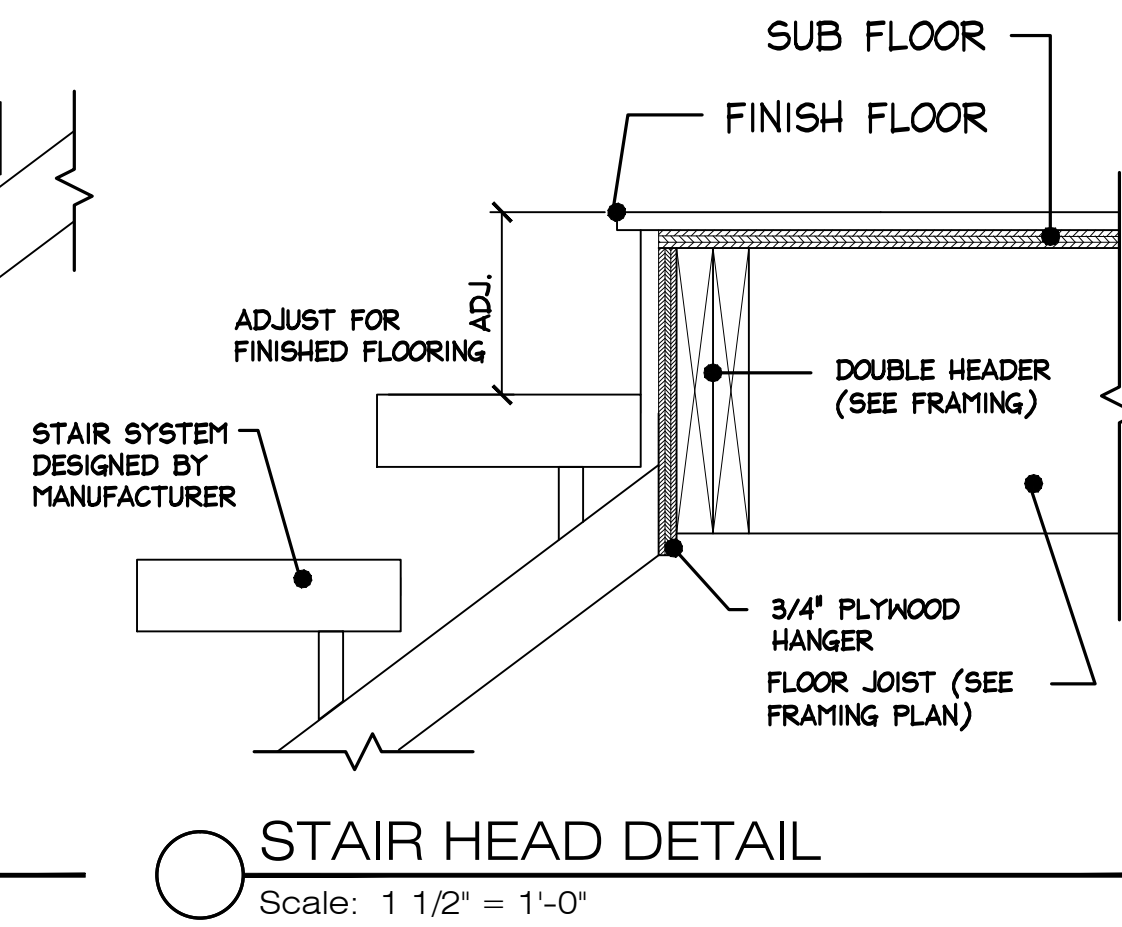
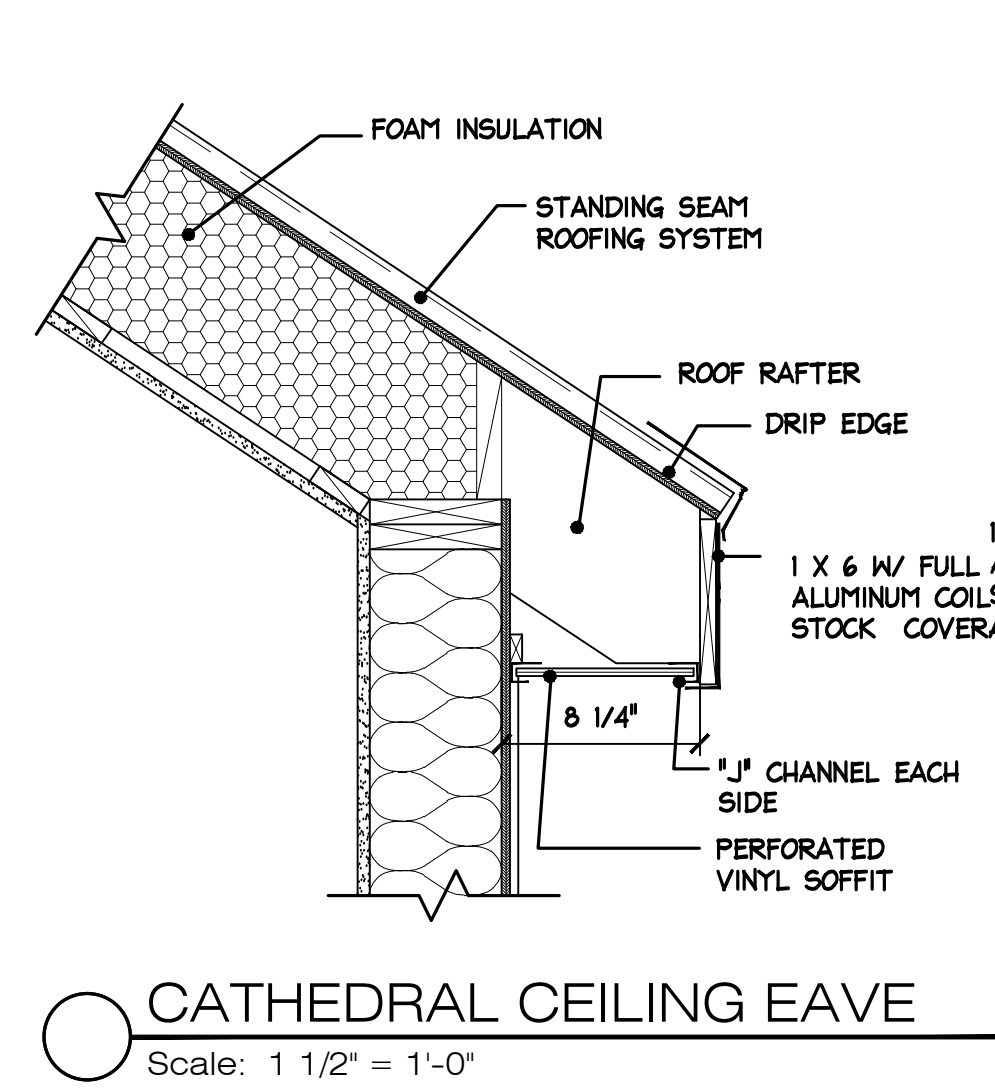


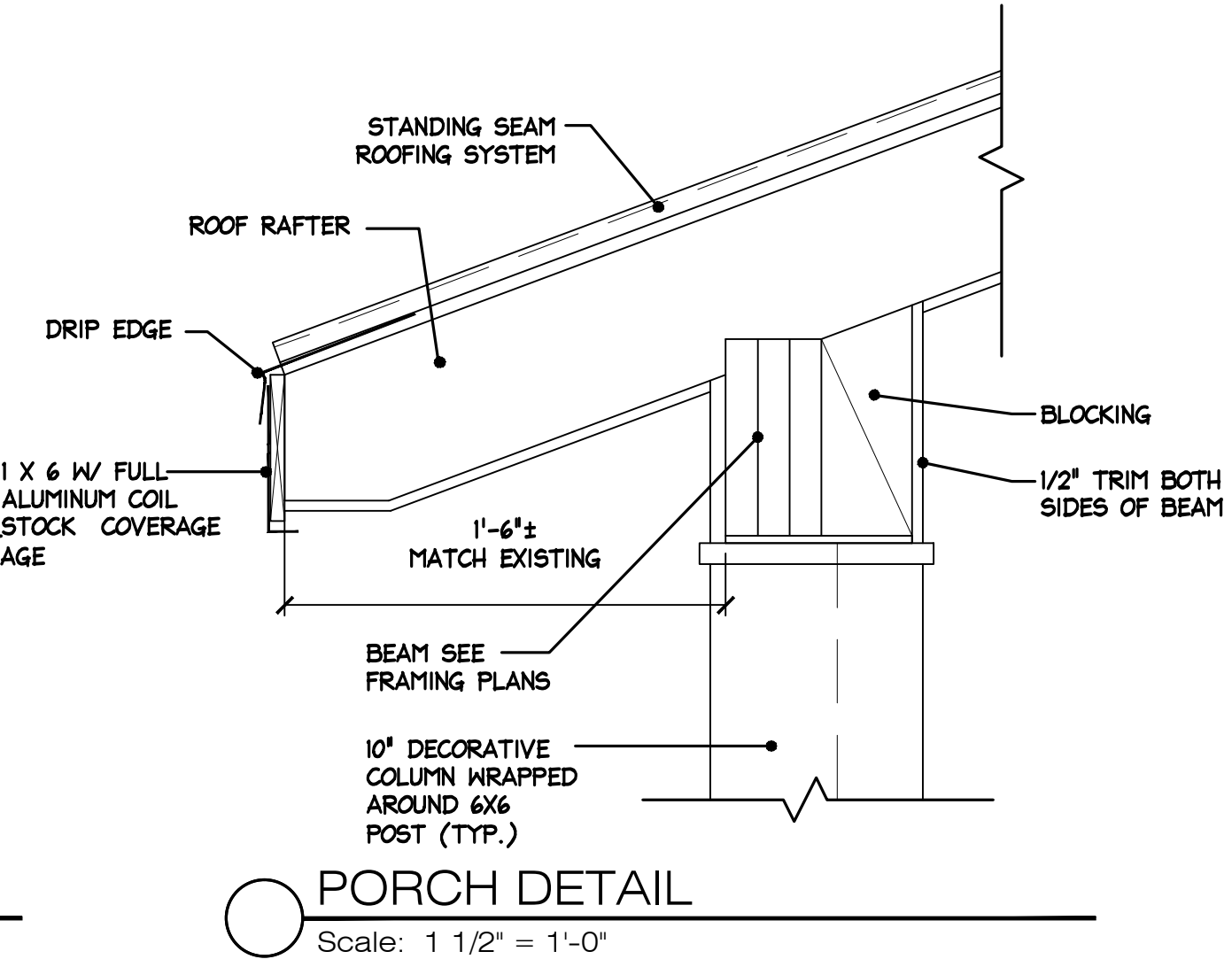
○ STAIR BASE DETAIL  
Scale: 1 1/2" = 1'-0"



○ STAIR HEAD DETAIL  
Scale: 1 1/2" = 1'-0"



○ CATHEDRAL CEILING EAVE  
Scale: 1 1/2" = 1'-0"

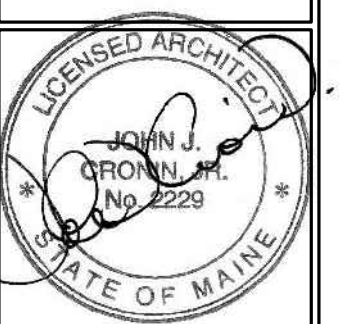


○ PORCH DETAIL  
Scale: 1 1/2" = 1'-0"

© COPYRIGHT 2015 - M.Z.O. ARCHITECTURAL GROUP, INC. OWNS THE COPYRIGHT IN THIS DOCUMENT. NO REPRODUCTION OR OTHER USE IS ALLOWED WITHOUT THE EXPRESS WRITTEN CONSENT OF M.Z.O. ARCHITECTURAL GROUP, INC.

**The MZO GROUP**  
DESIGNERS • ARCHITECTS • PLANNERS  
IN THE *Miquele* TRADITION

335 Main Street, Suite 201  
Stonham, Massachusetts 02180  
Voice: 781-279-4466 • Fax: 781-279-4488 • E-Mail: [mzo@mzogroup.com](mailto:mzo@mzogroup.com) • [www.mzogroup.com](http://www.mzogroup.com)



**Ferester Residence**  
Peaks Island, Maine

**Details**  
SCALE: As Noted

Date / Drawn by	09/01/15
Date/Revised by	

JOB NO. 5790

**D1**