

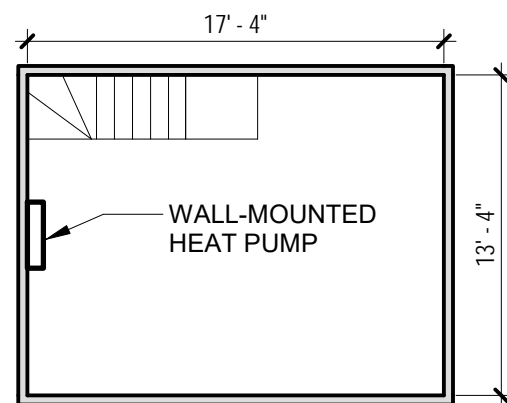
- KEY**
- ⊠ 6" ROUND UP TO FIRST FLOOR SUPPLY REGISTER
 - ⊠ RETURN UP TO FIRST FLOOR RETURN GRILL
 - SUPPLY DUCT - SIZE NOTED ON PLAN
 - 6x30 RETURN DUCT
 - - - REFRIGERANT LINE

THIS PROJECT WILL INSTALL AN AIR SOURCE HEAT PUMP SYSTEM CONSISTING OF AN OUTSIDE CONDENSOR, A BASEMENT AIR HANDLER WITH DUCTS TO SUPPLY THE FIRST FLOOR, AND A SECOND FLOOR WALL-MOUNTED HEAT PUMP. WITH THE EXCEPTION OF CUTTING IN A RETURN REGISTER AND SUPPLY REGISTERS (NO STRUCTURAL IMPACT), NO WORK WILL BE PERFORMED ON THE FIRST FLOOR. A ROUTE FOR THE REFRIGERANT LINES SERVING THE SECOND FLOOR WALL-MOUNTED UNIT WILL BE ESTABLISHED AT THE TIME OF INSTALLATION.

PROJECT NARRATIVE

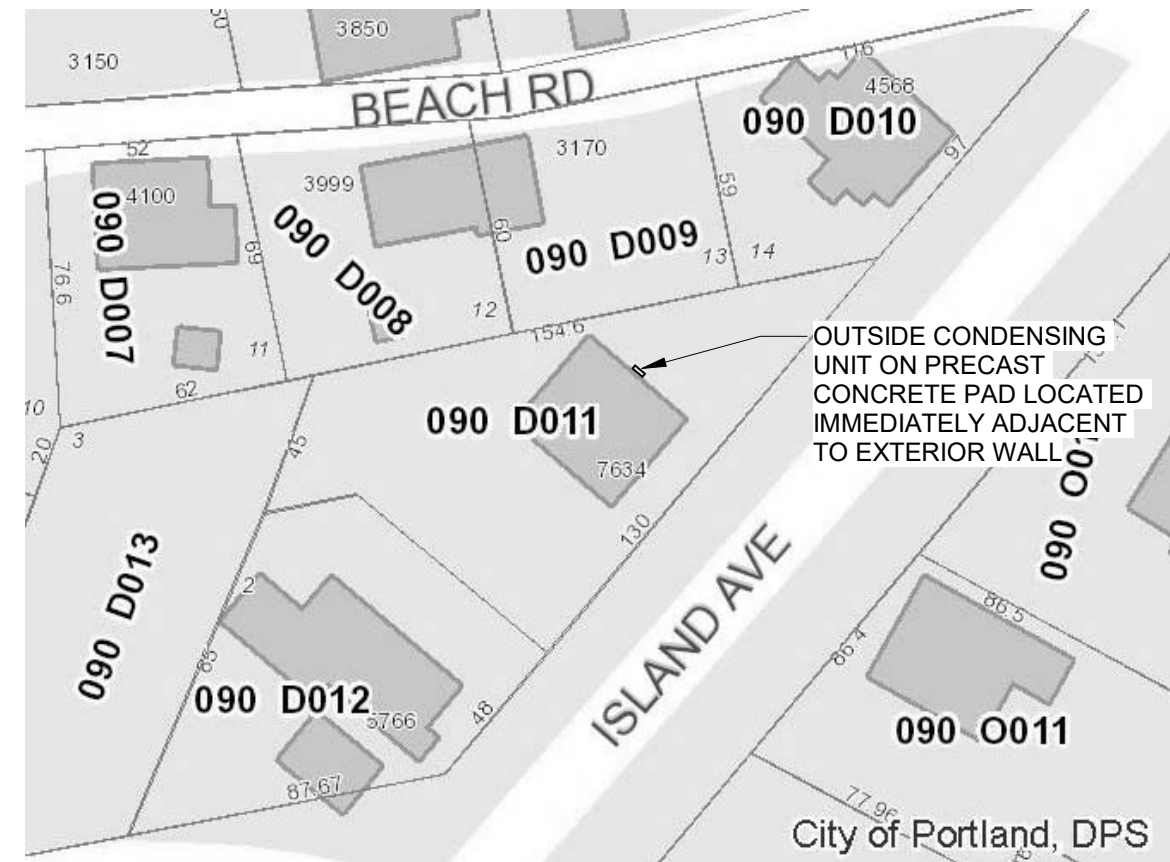
BASEMENT

SCALE: 1/8" = 1'-0"



FLOOR 2

SCALE: 1/8" = 1'-0"



SITE PLAN

City of Portland, DPS