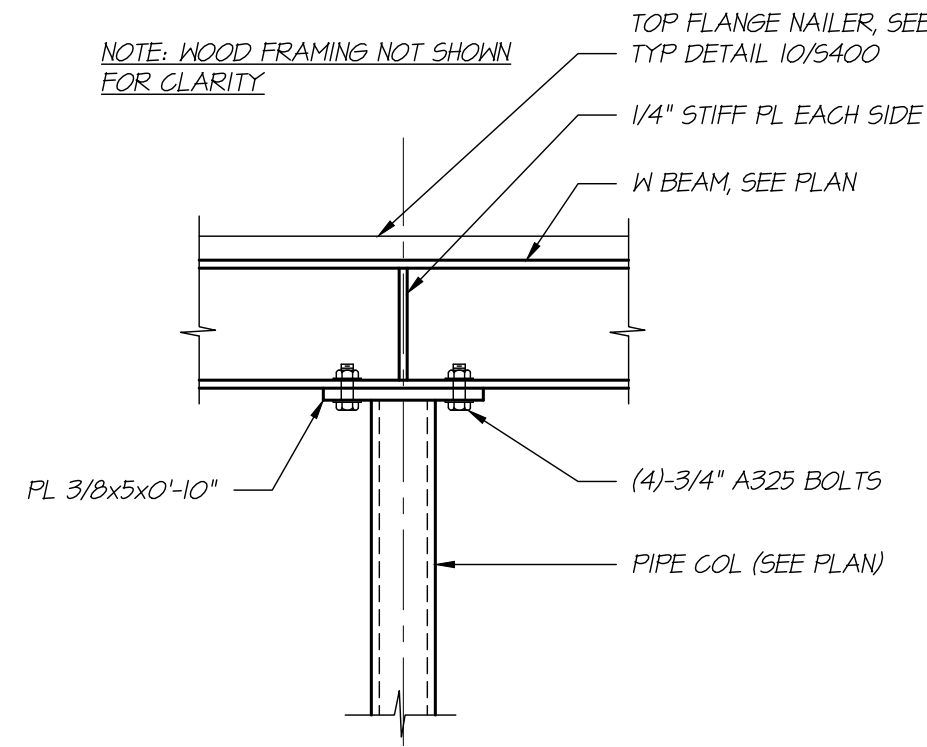
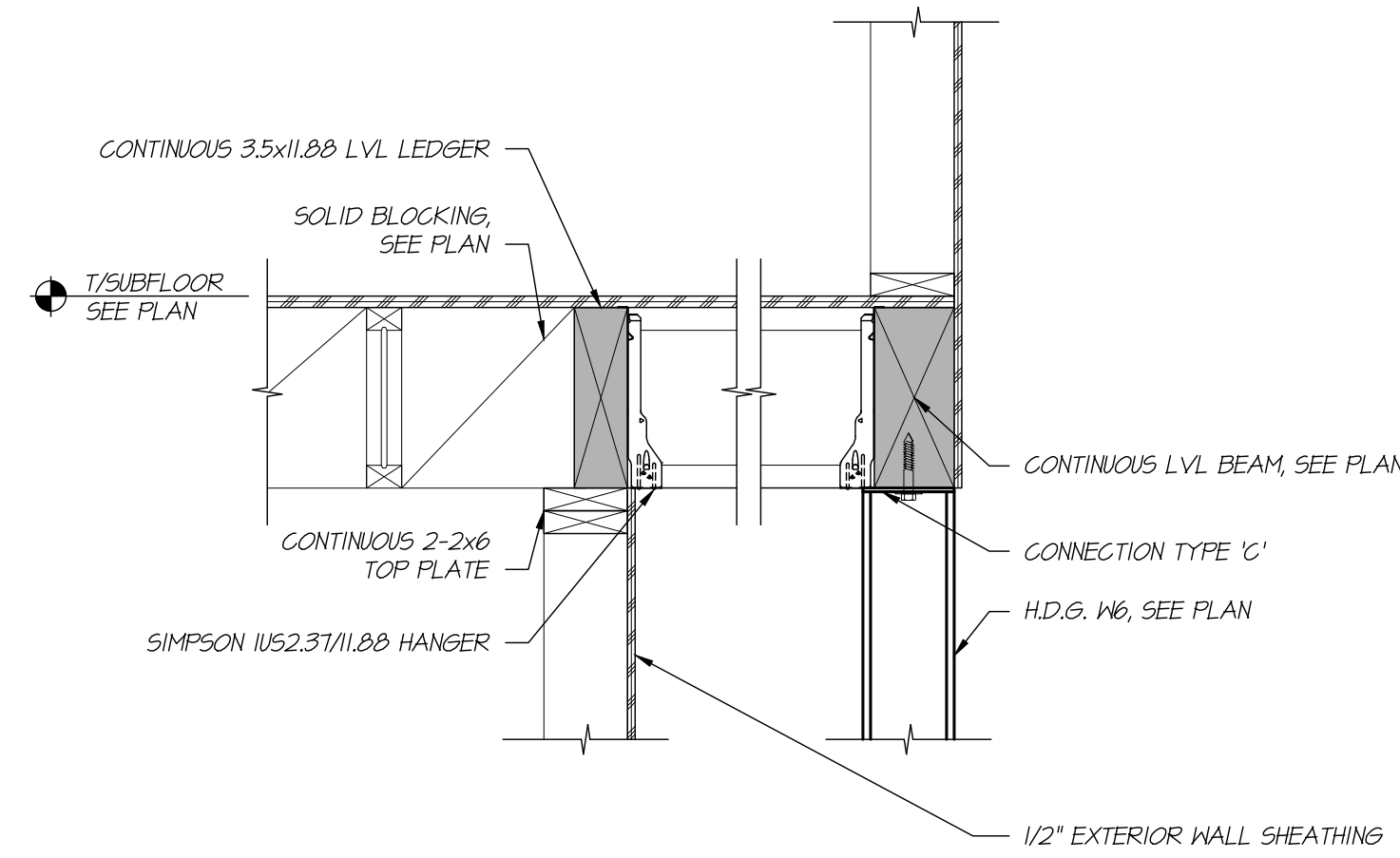


Notes:



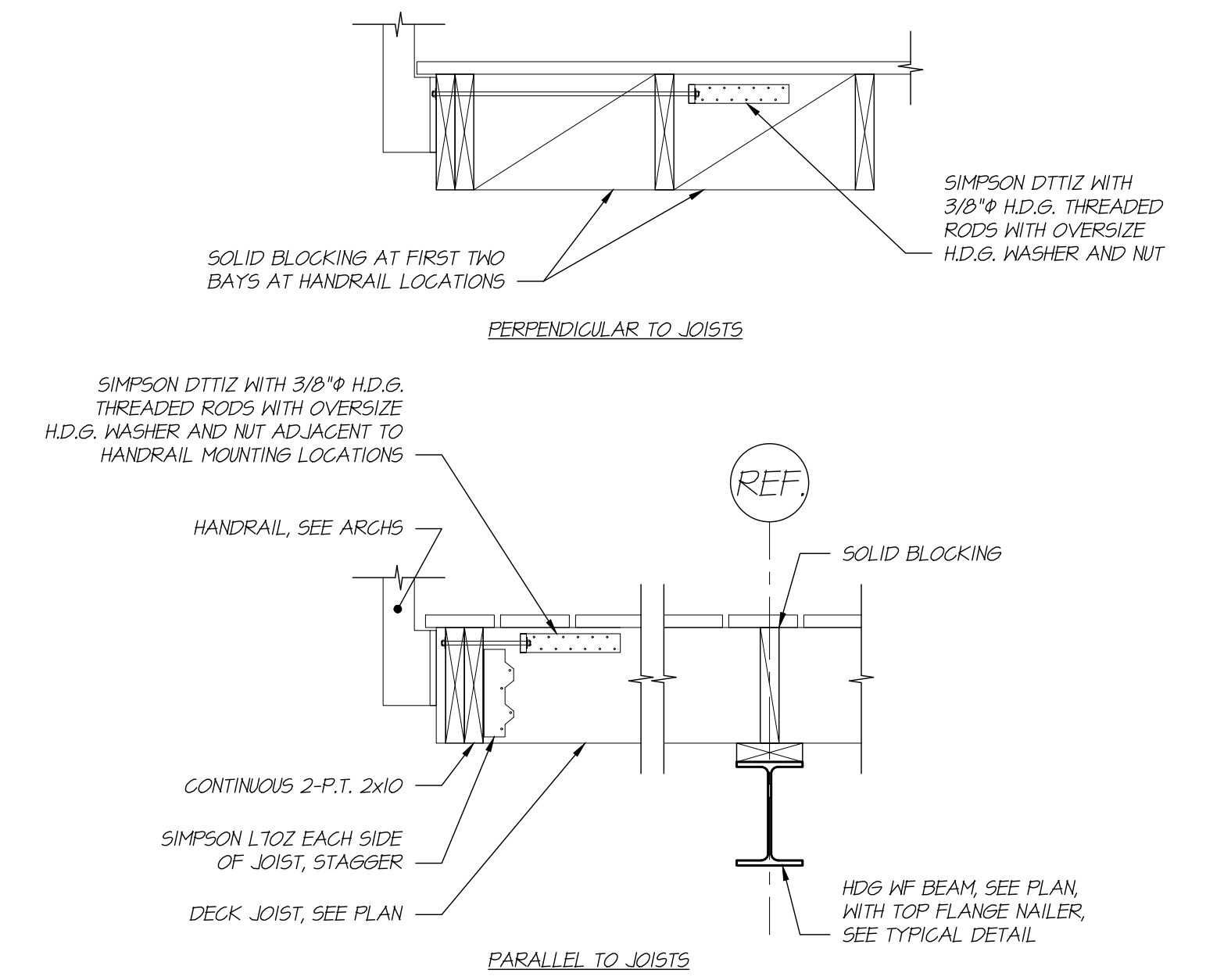
FRAMING SECTION
 1" = 1'-0"

09
 S401



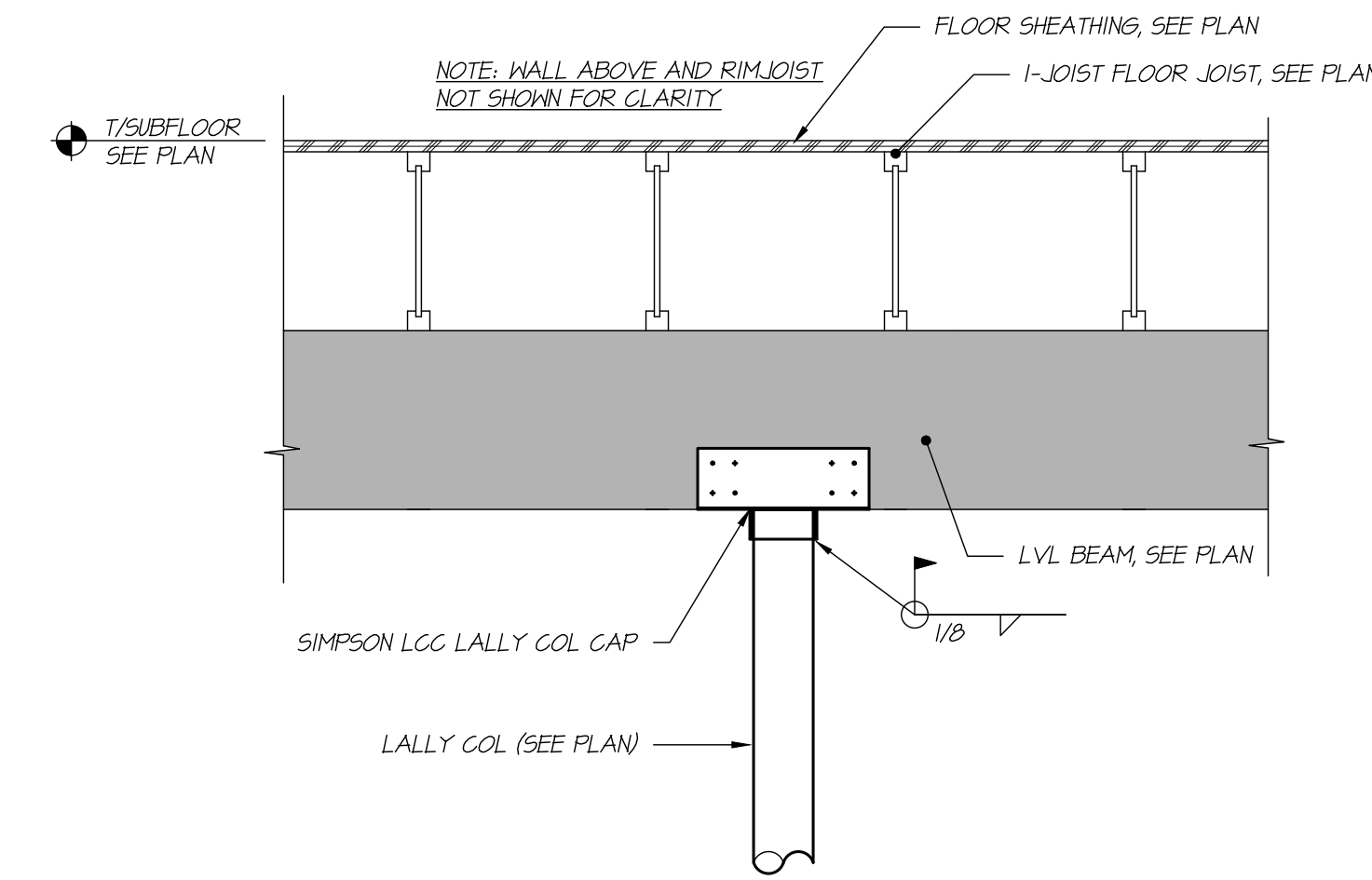
FRAMING SECTION
 1" = 1'-0"

06
 S401



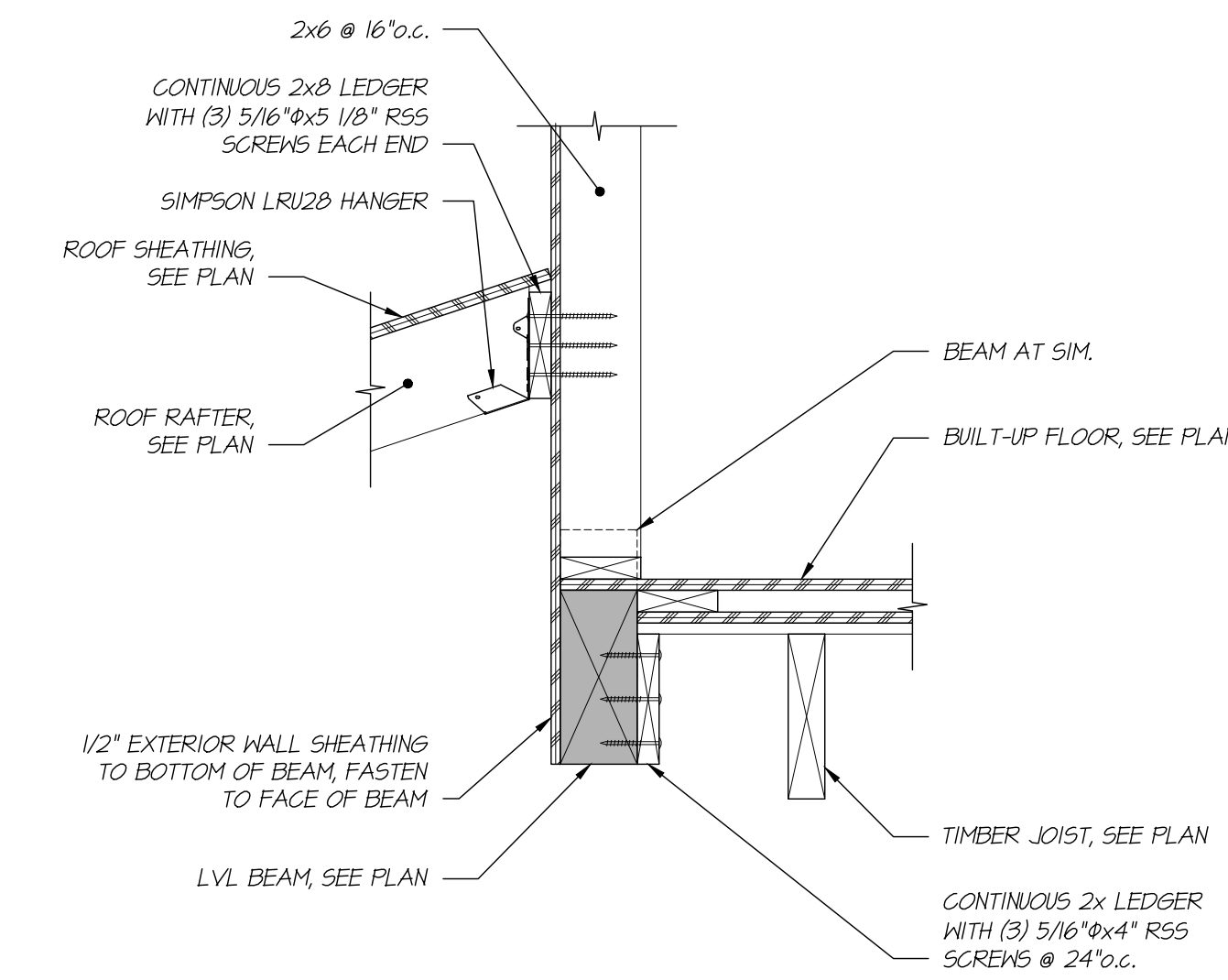
FRAMING SECTION
 1" = 1'-0"

03
 S401



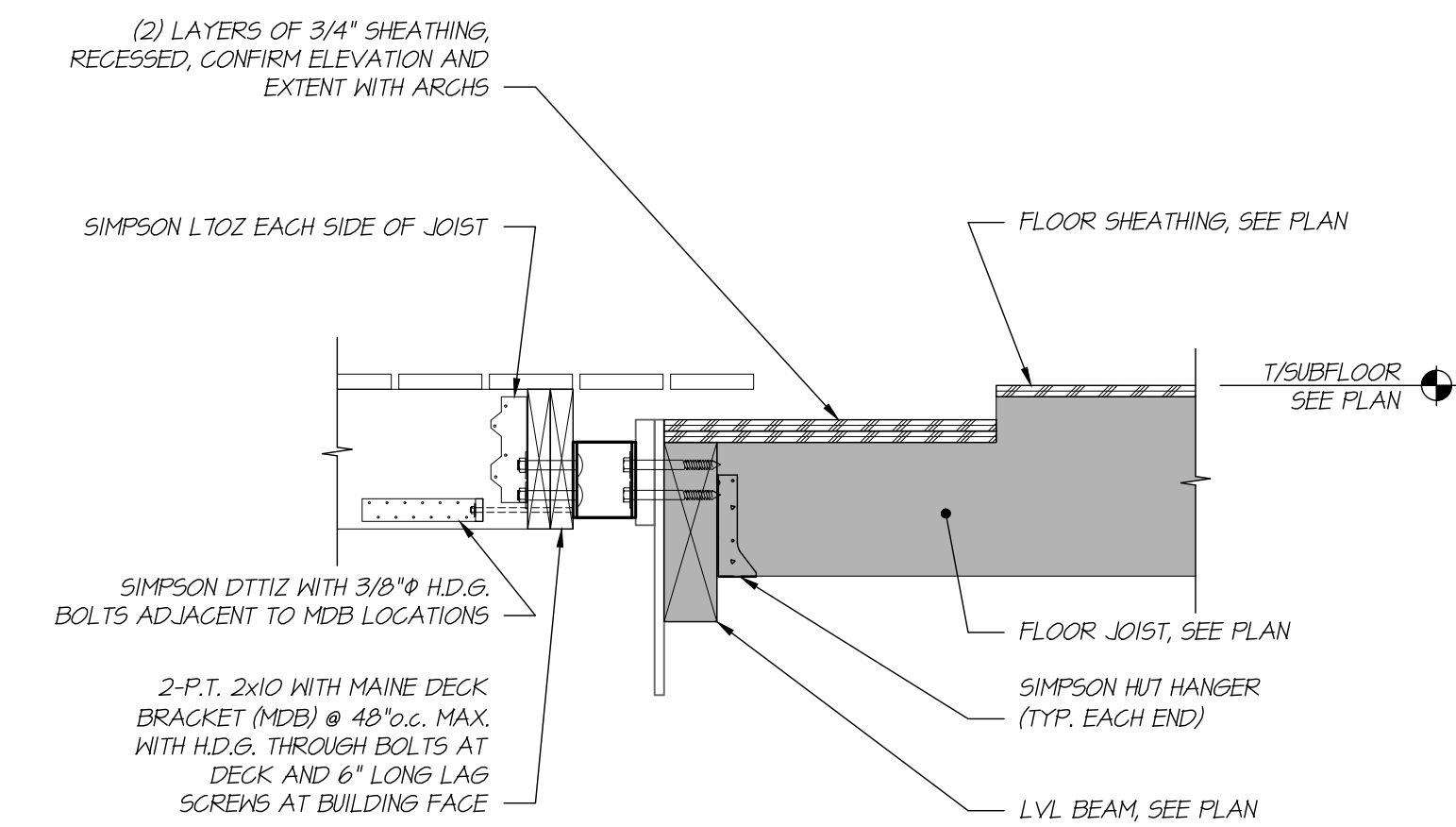
FRAMING SECTION
 1" = 1'-0"

08
 S401



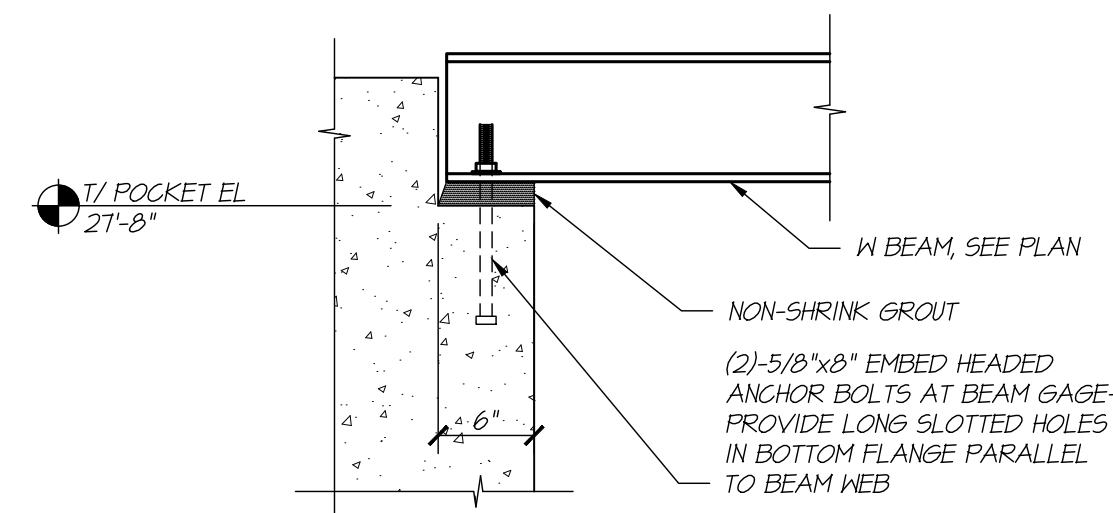
FRAMING SECTION
 1" = 1'-0"

05
 S401



FRAMING SECTION
 1" = 1'-0"

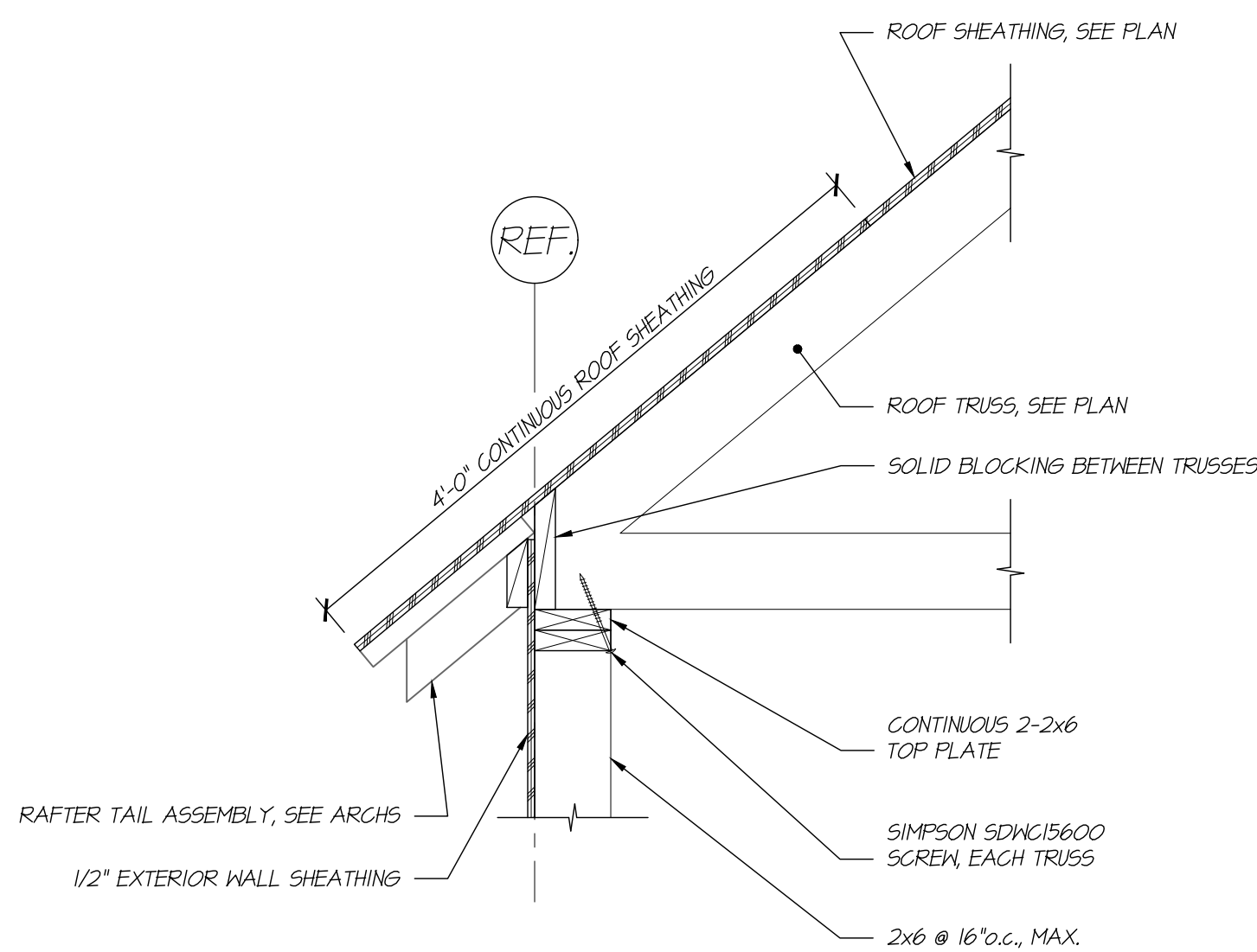
02
 S401



TYPICAL STL BEAM POCKET DETAIL

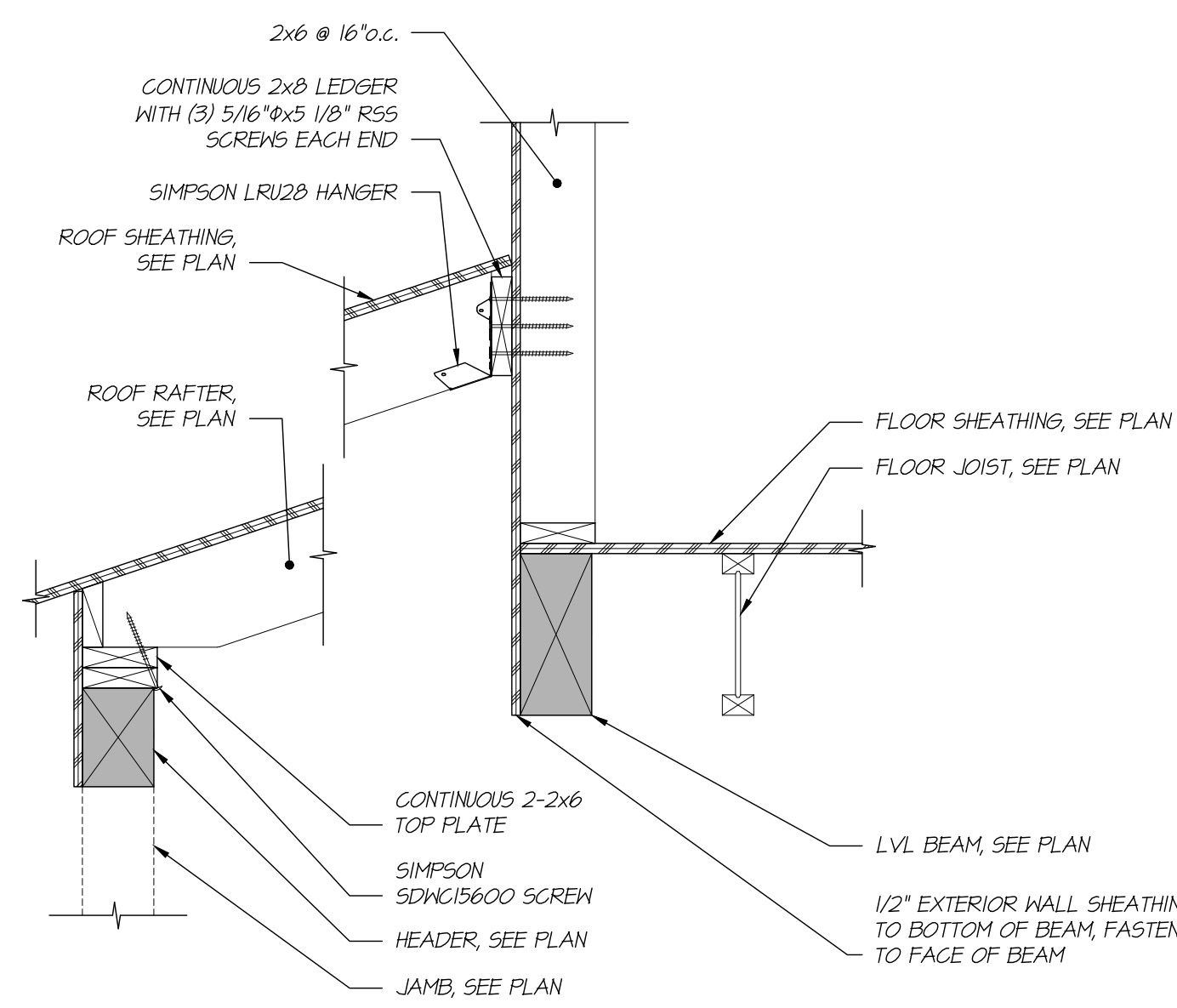
FRAMING SECTION
 1" = 1'-0"

10
 S401



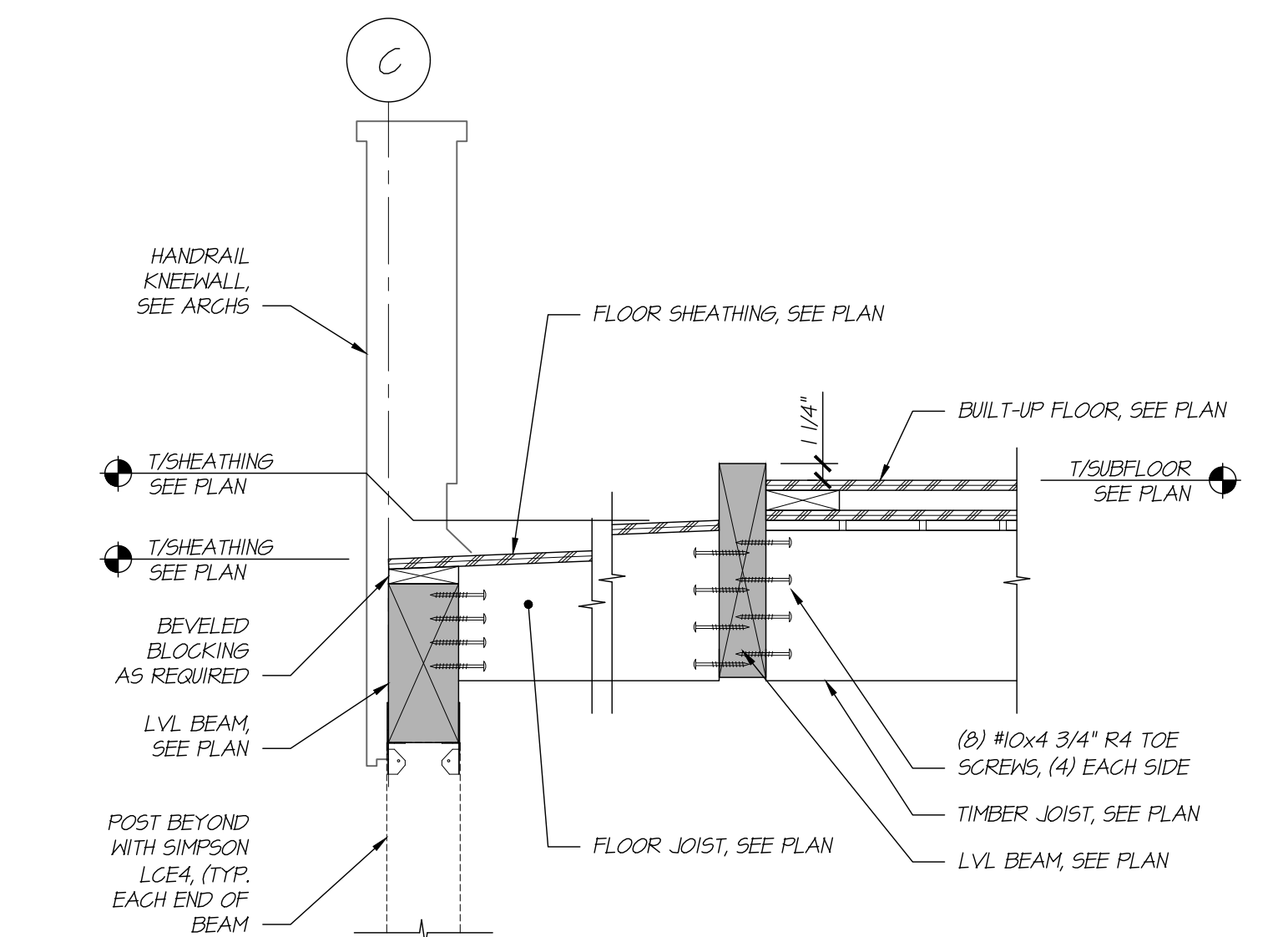
FRAMING SECTION
 1" = 1'-0"

07
 S401



FRAMING SECTION
 1" = 1'-0"

04
 S401



FRAMING SECTION
 1" = 1'-0"

01
 S401

Architect:
 Whitten Architects
 37 Silver Street
 Portland, Maine 04101
 Phone: (207) 774-0111
 www.whittenarchitects.com

Landscape Architect:
 Soren DeNiord Design Studio
 43 Wellwood Road
 Portland, Maine 04103
 Phone: (207) 400-2450

Civil Engineer:
 Walsh Engineering Assoc., Inc.
 One Karen Drive, Suite 2A
 Westbrook, Maine 04092
 Phone: (207) 553-9898

Structural Engineer:
 Albert Putnam Associates
 183 Park Row
 Brunswick, Maine 04011
 Phone: (207) 729-6230

General Contractor:
 Bunton Construction
 87 Middle Road
 Cumberland Center, Maine 04021
 Phone: (207) 829-6438

Drawing:
 Framing Details

Date:
 June 15, 2017

Issue:
 Permit / Pricing Set

S401