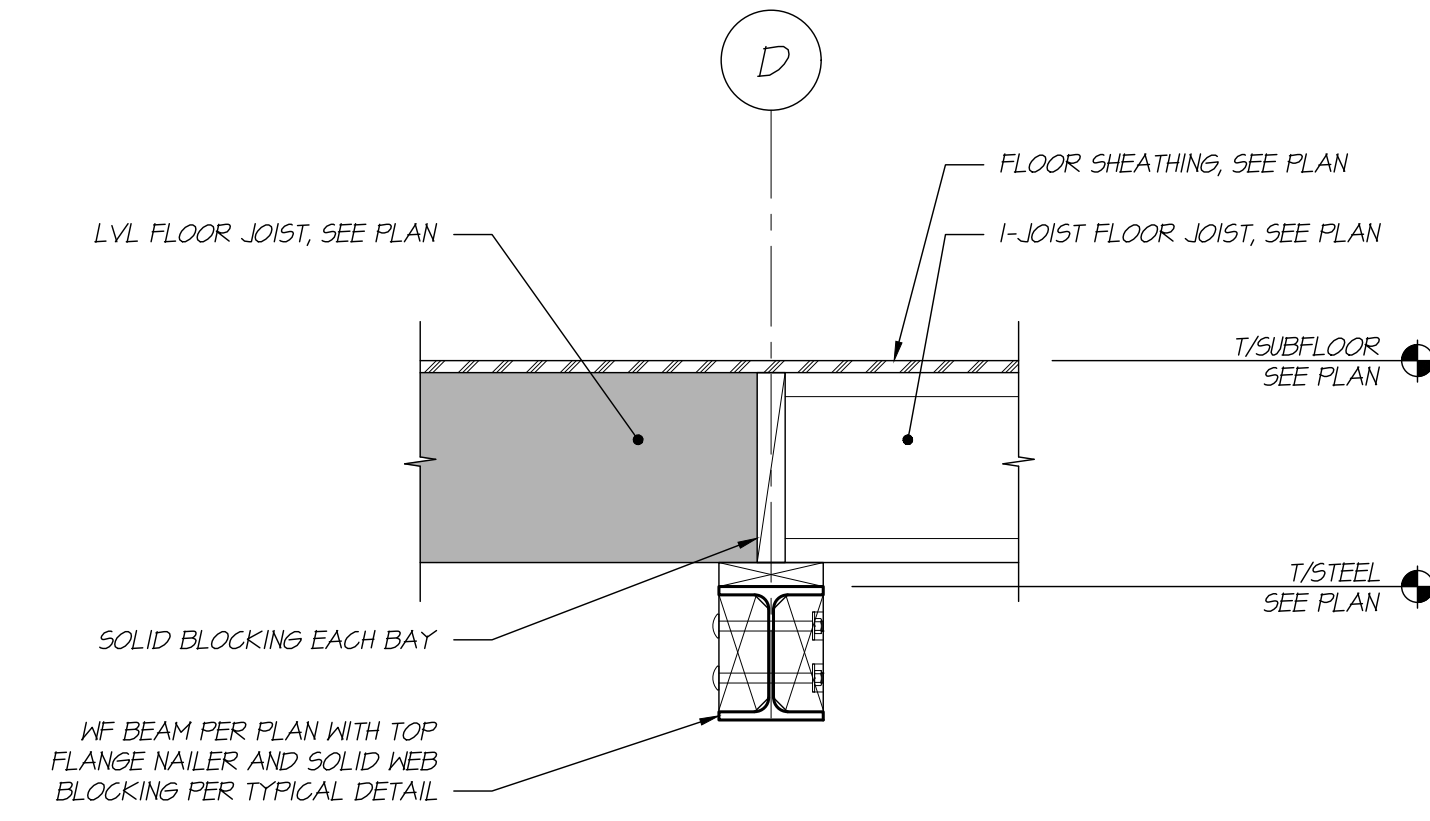


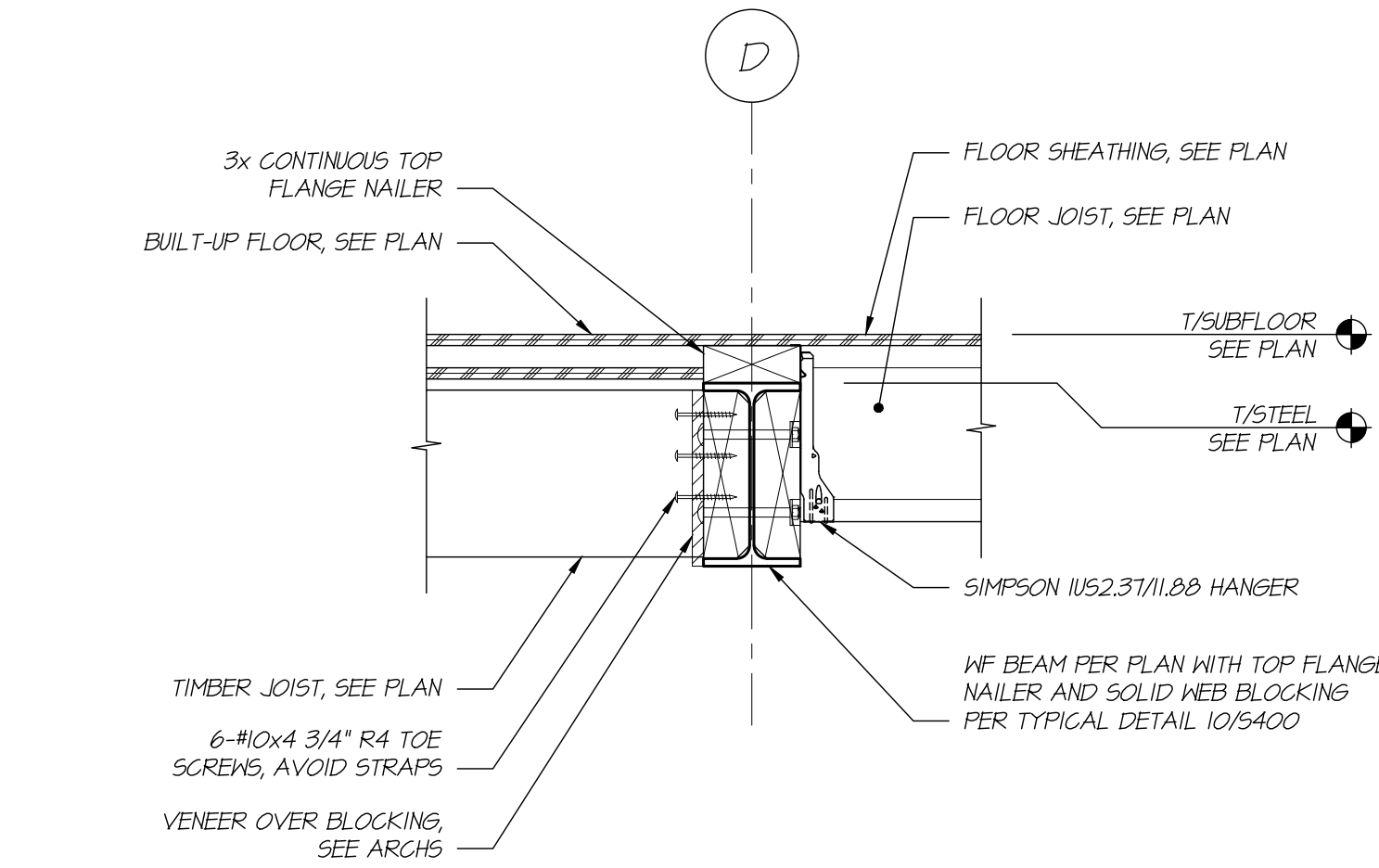
Notes:



FRAMING SECTION

1" = 1'-0"

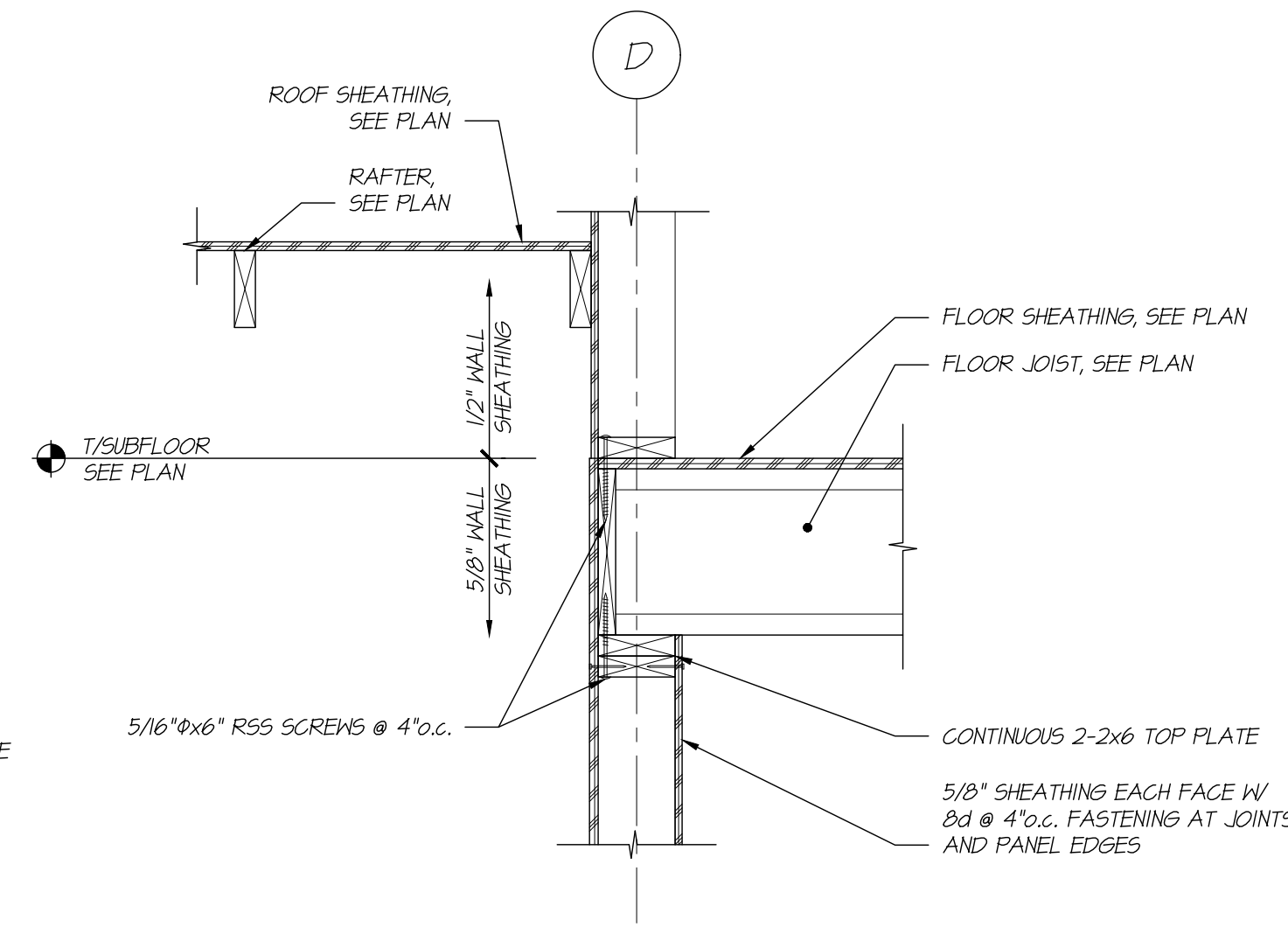
12
S400



FRAMING SECTION

1" = 1'-0"

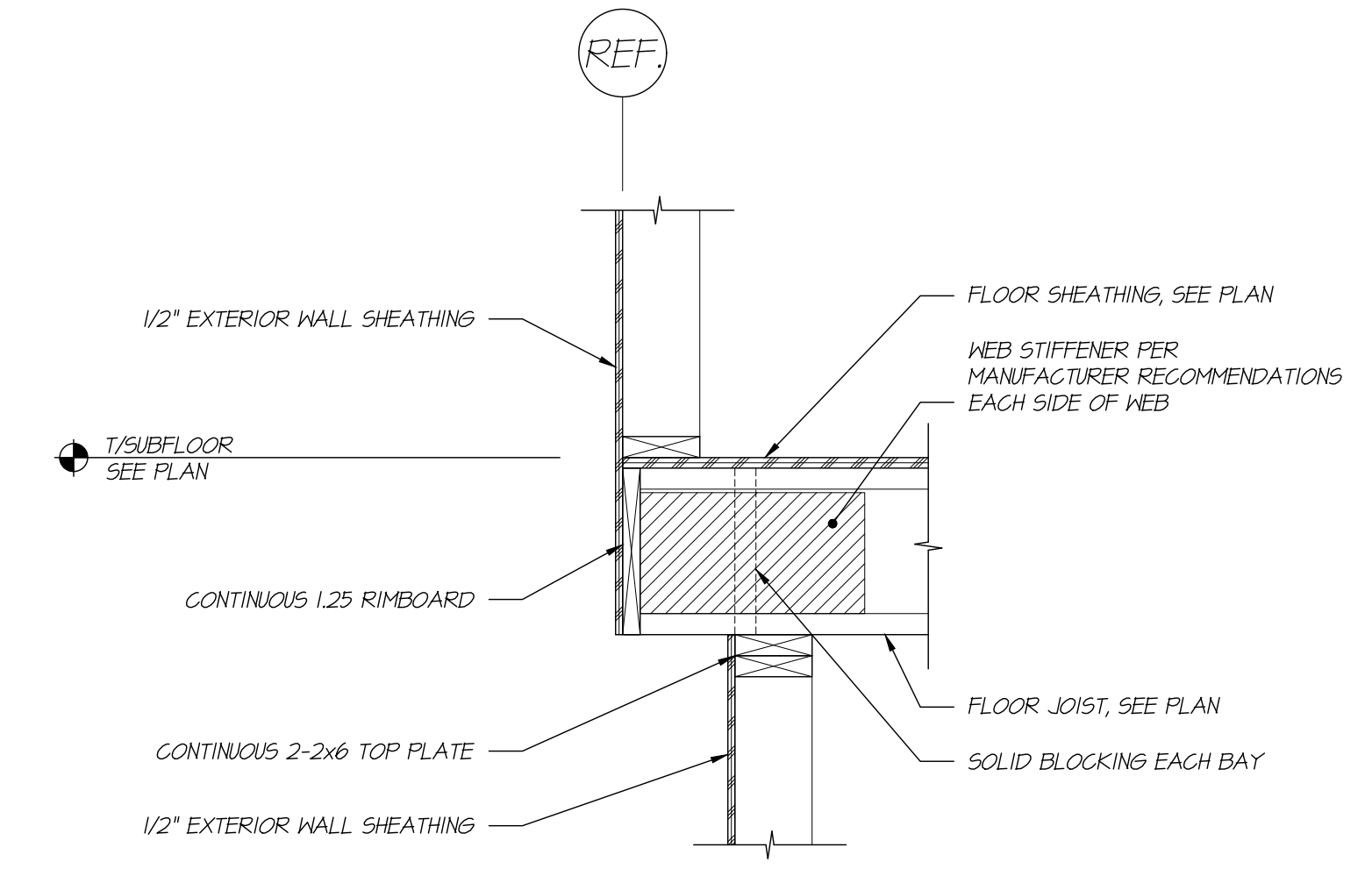
09
S400



FRAMING SECTION

1" = 1'-0"

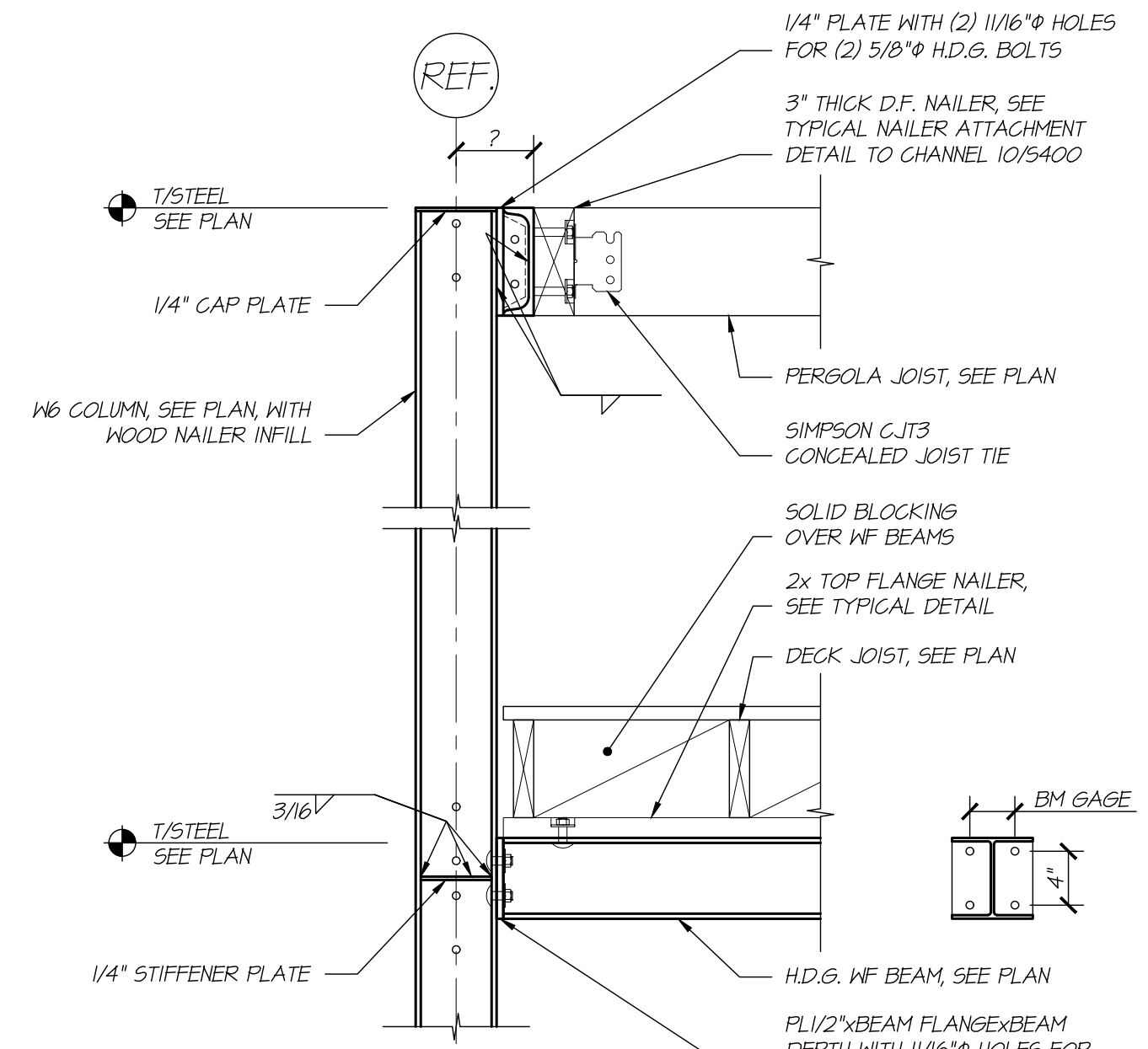
06
S400



FRAMING SECTION

1" = 1'-0"

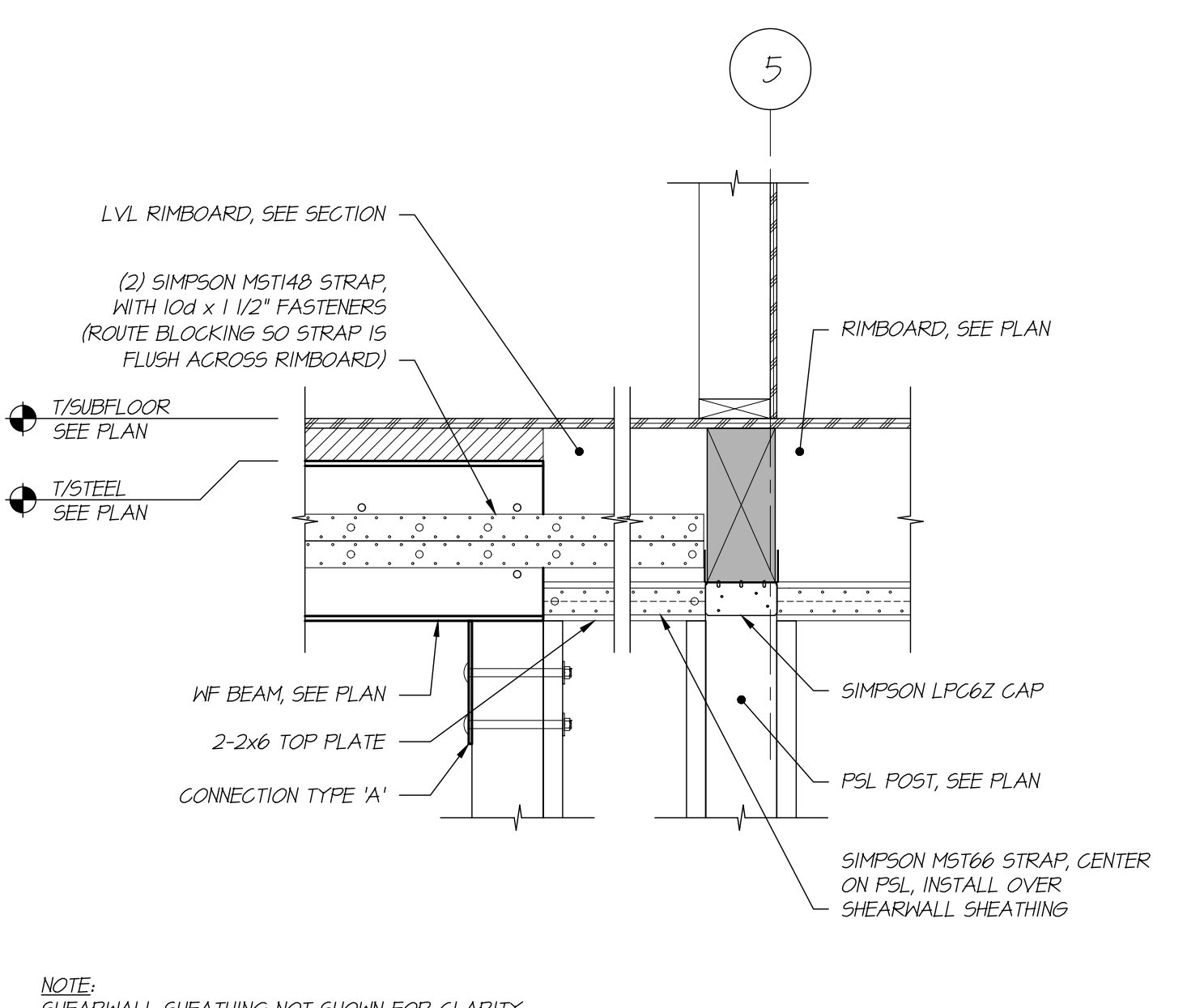
03
S400



FRAMING SECTION

1" = 1'-0"

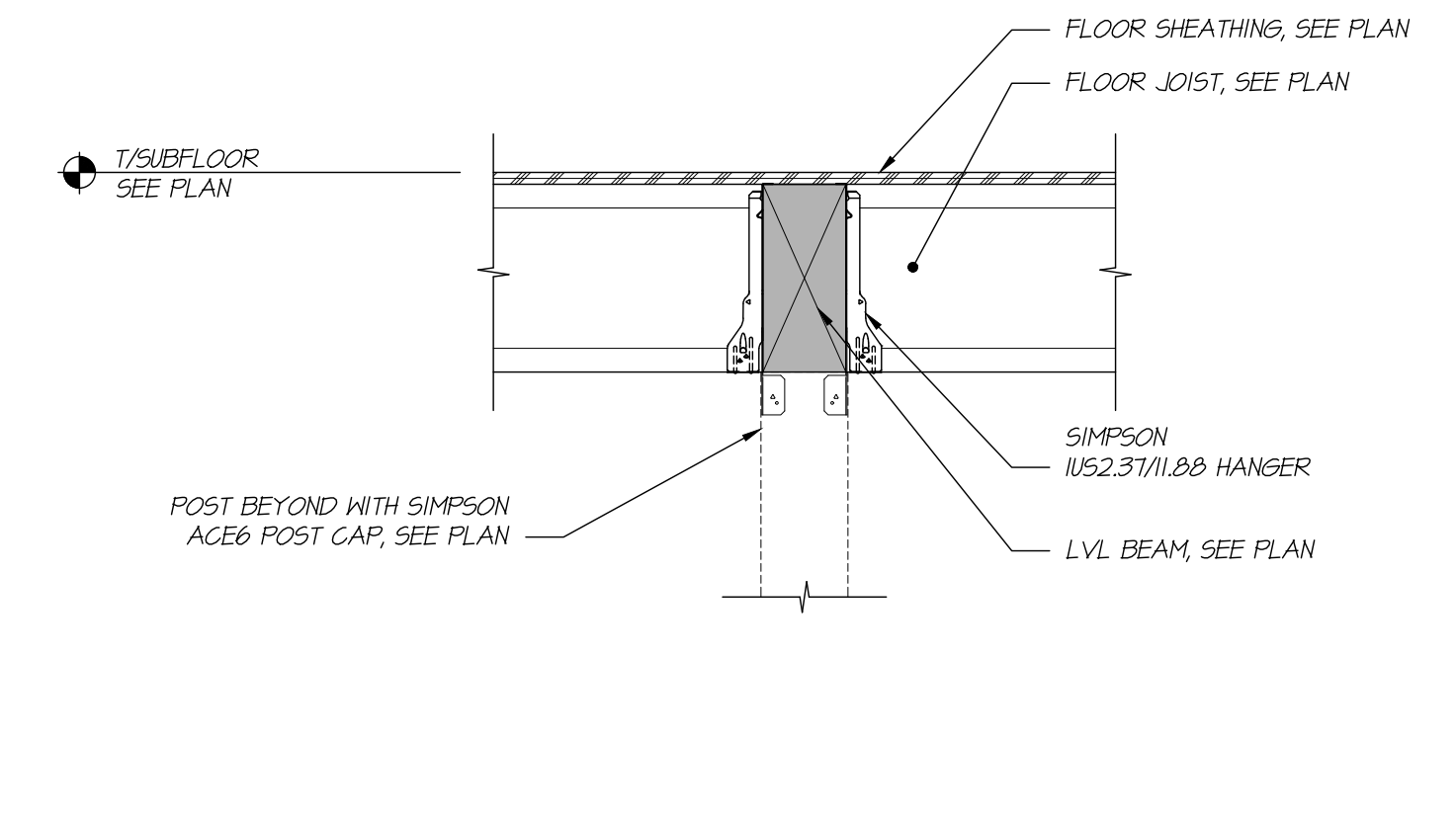
11
S400



FRAMING SECTION

1" = 1'-0"

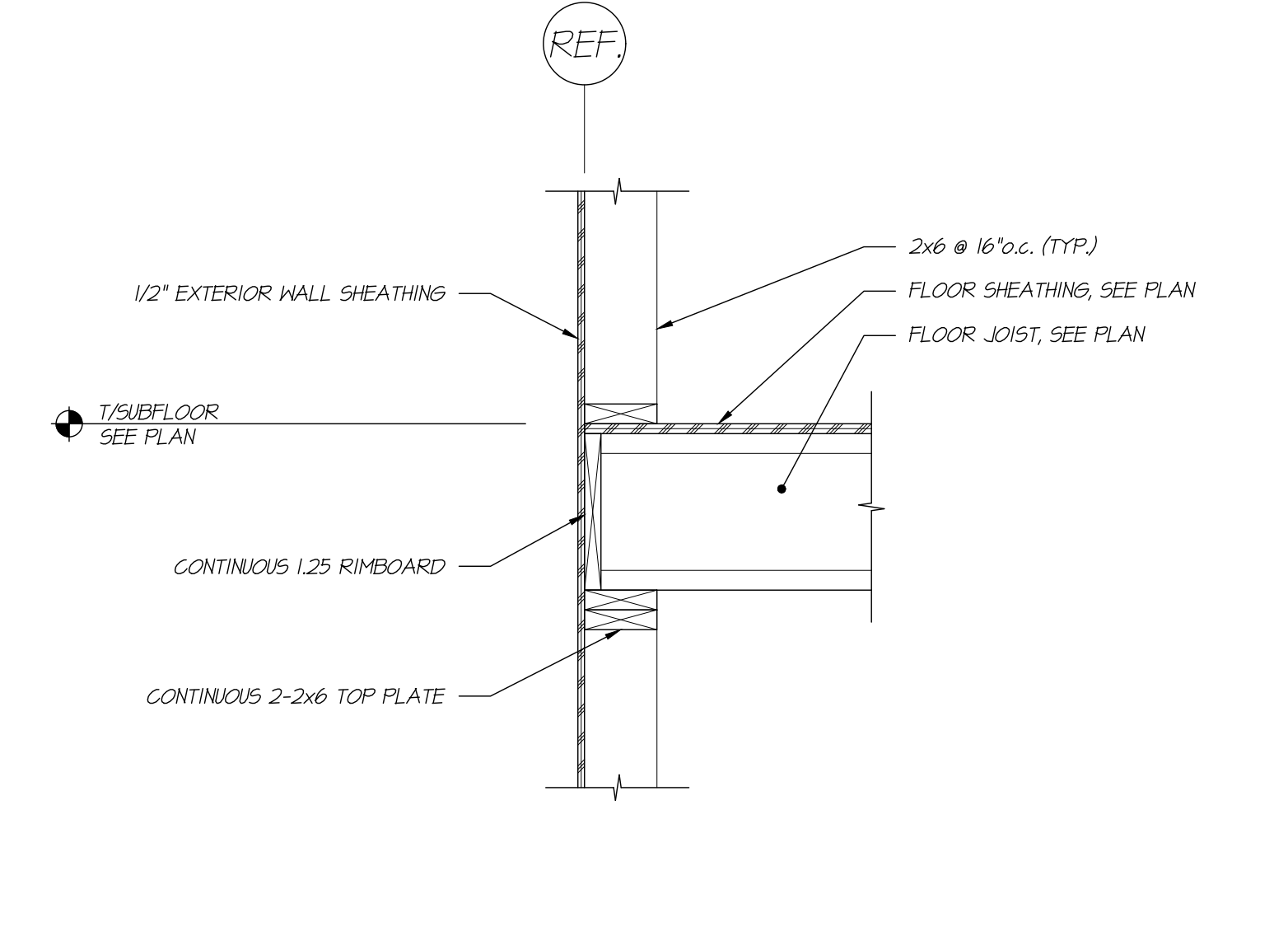
08
S400



FRAMING SECTION

1" = 1'-0"

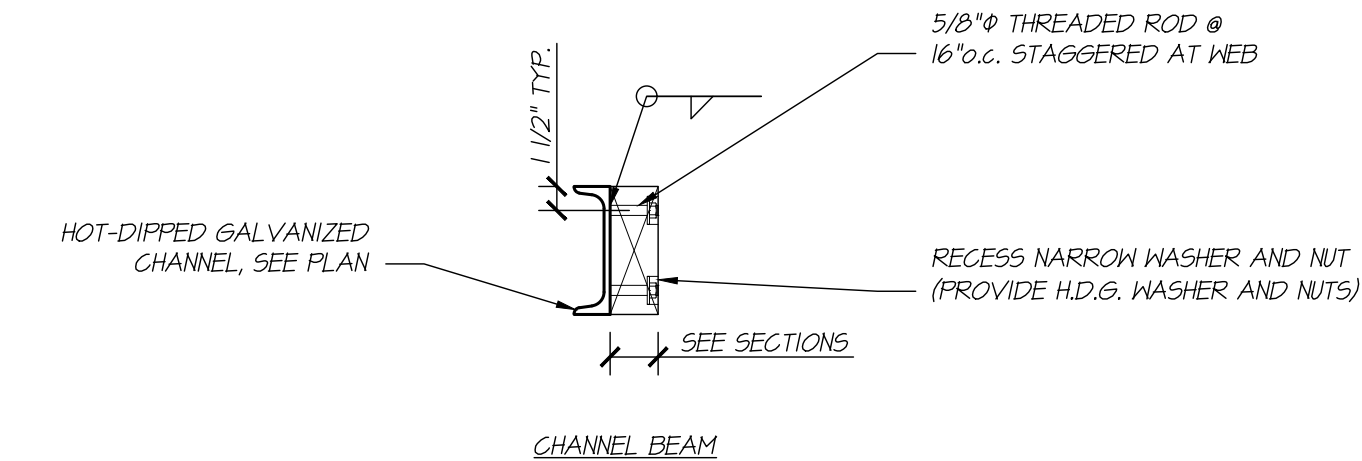
05
S400



FRAMING SECTION

1" = 1'-0"

02
S400

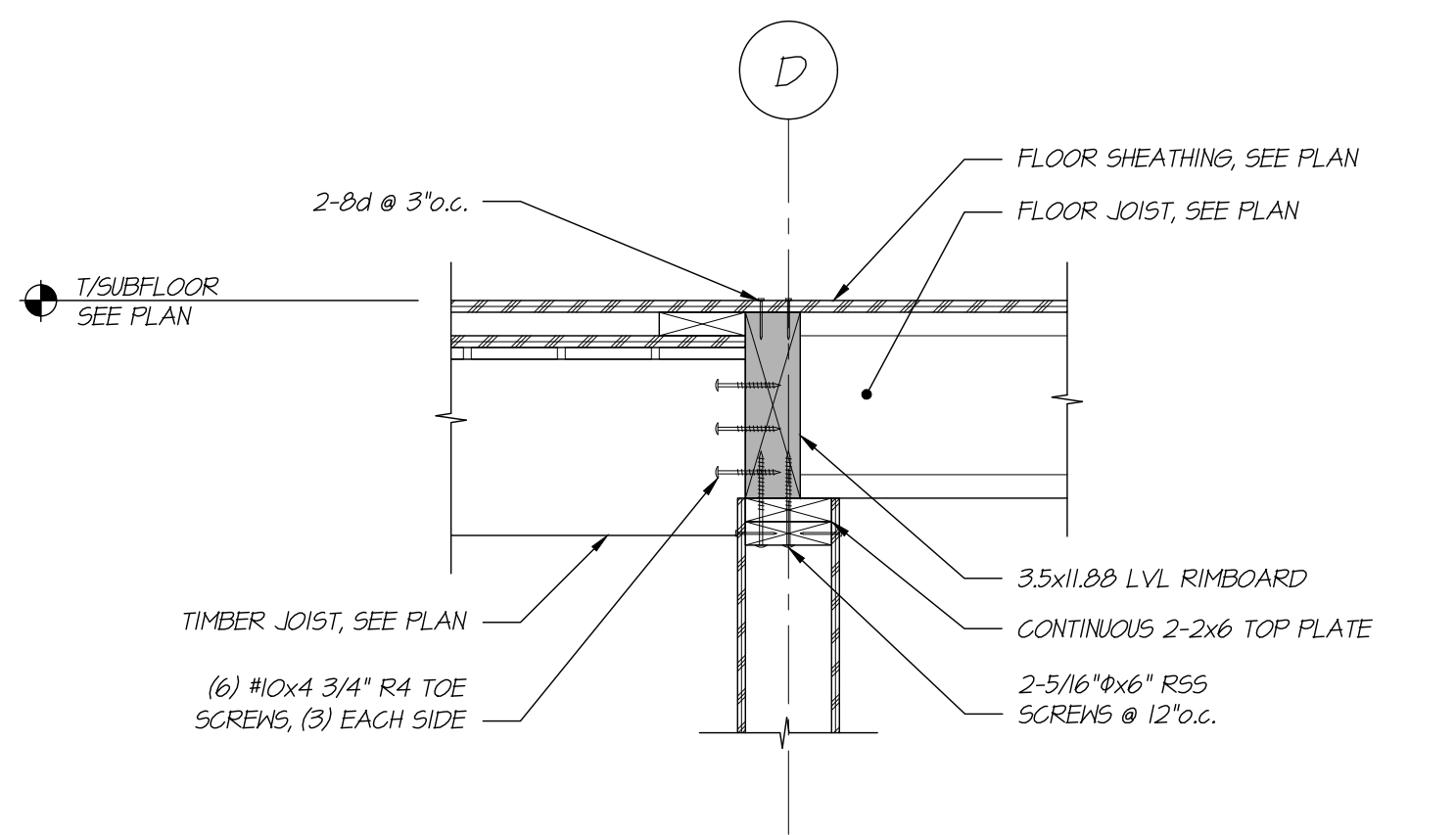


NOTES:
 1. PRE-PUNCH FLANGE AND WEB HOLES.
 2. PROVIDE HOT-DIPPED GALVANIZED BOLTS WHERE BEAM IS HOT-DIPPED GALVANIZED.

TYPICAL WOOD NAILER/WEB BLOCKING

1" = 1'-0"

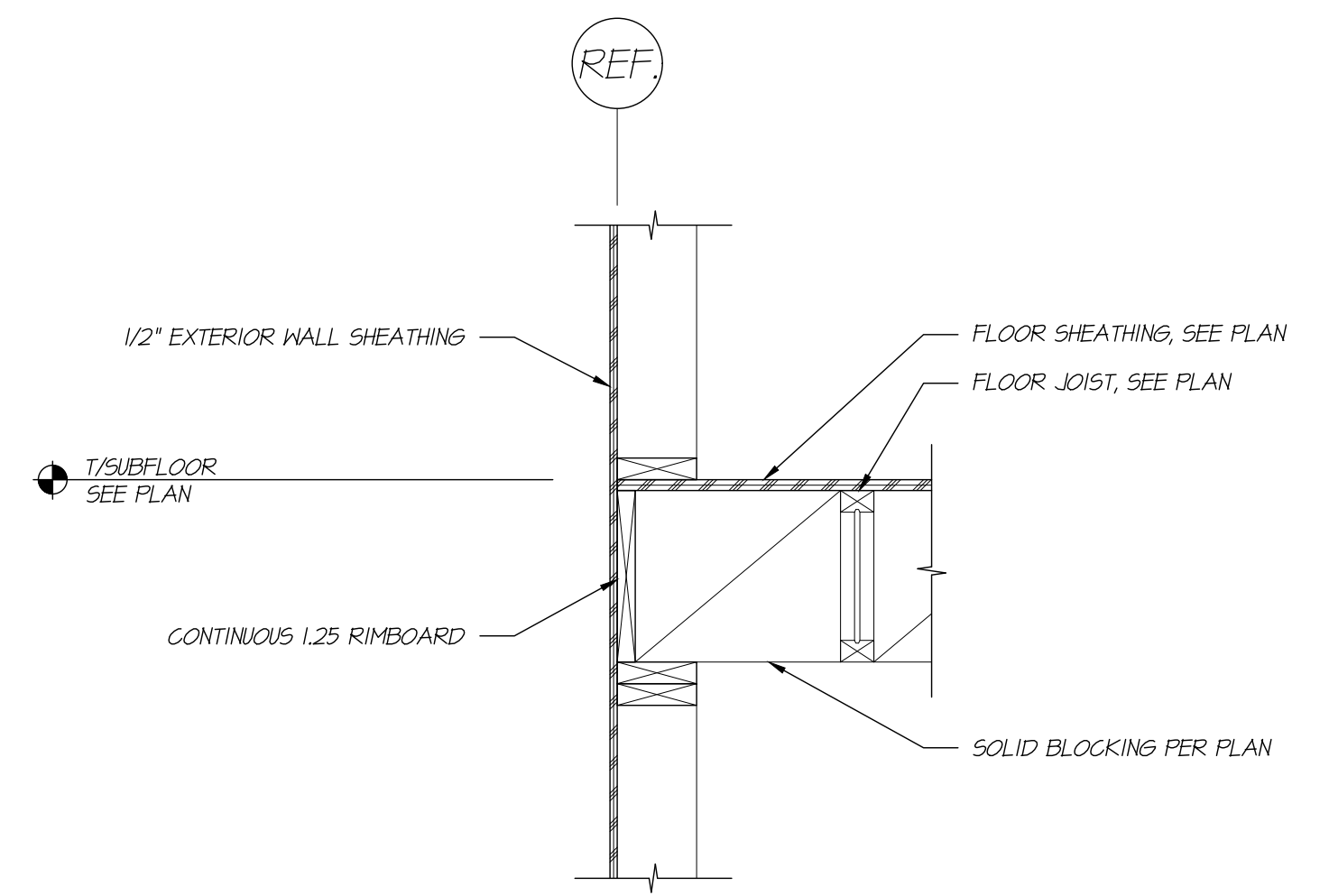
10
S400



FRAMING SECTION

1" = 1'-0"

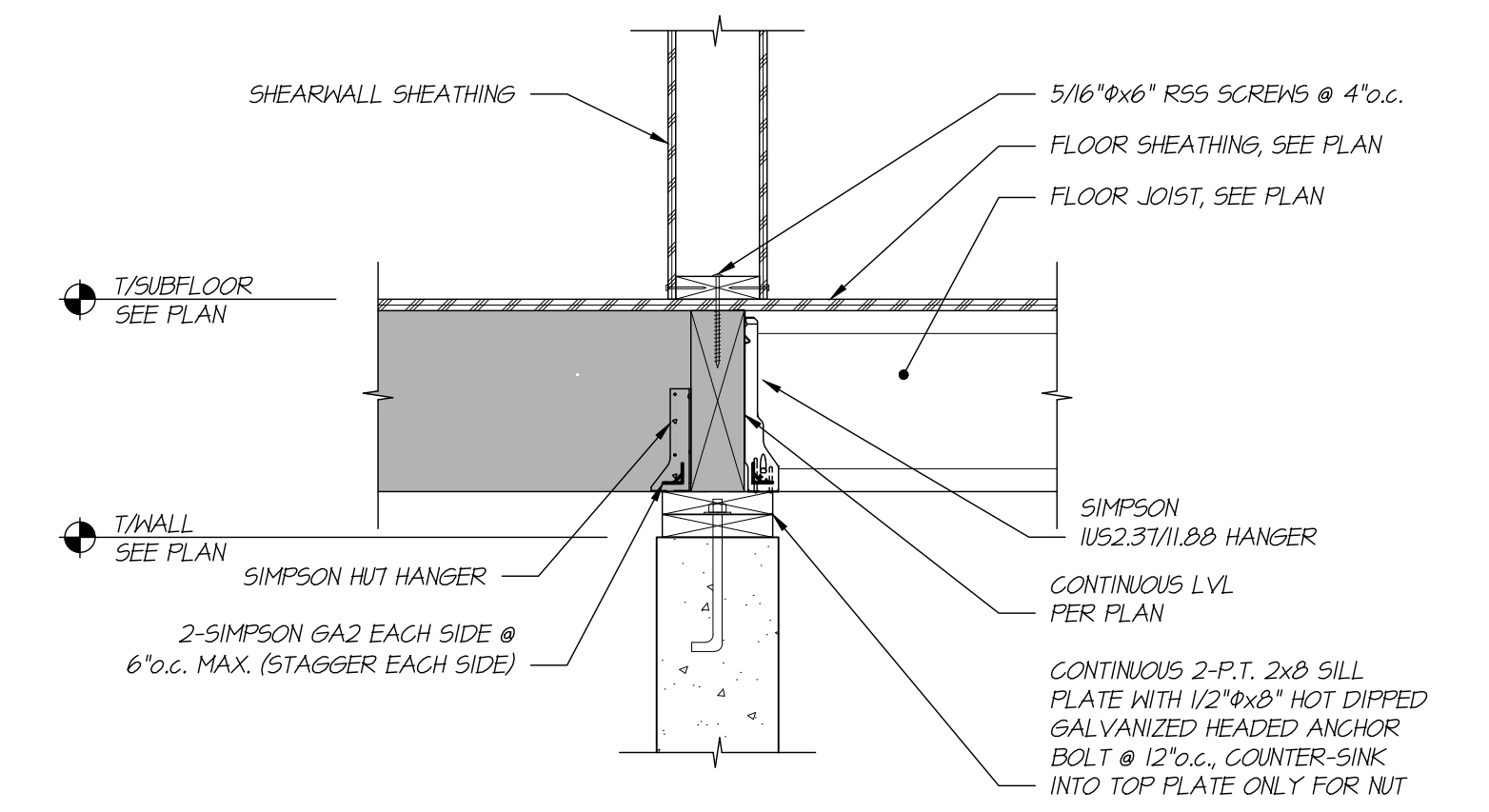
07
S400



FRAMING SECTION

1" = 1'-0"

04
S400



FRAMING SECTION

1" = 1'-0"

01
S400

Architect:
Whitten Architects
 37 Silver Street
 Portland, Maine 04101
 Phone: (207) 774-0111
 www.whittenarchitects.com

Landscape Architect:
Soren DeNiord Design Studio
 43 Wellwood Road
 Portland, Maine 04103
 Phone: (207) 400-2450

Civil Engineer:
Walsh Engineering Assoc., Inc.
 One Karen Drive, Suite 2A
 Westbrook, Maine 04092
 Phone: (207) 553-9898

Structural Engineer:
Albert Putnam Associates
 183 Park Row
 Brunswick, Maine 04011
 Phone: (207) 729-6230

General Contractor:
Bunton Construction
 87 Middle Road
 Cumberland Center,
 Maine 04021
 Phone: (207) 829-6438

Drawing:
Framing Details

Date:
 June 15, 2017

Issue:
Permit / Pricing Set

S400