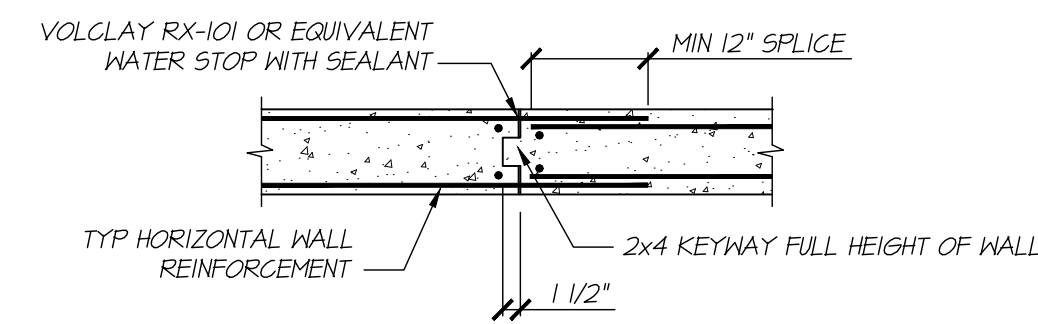
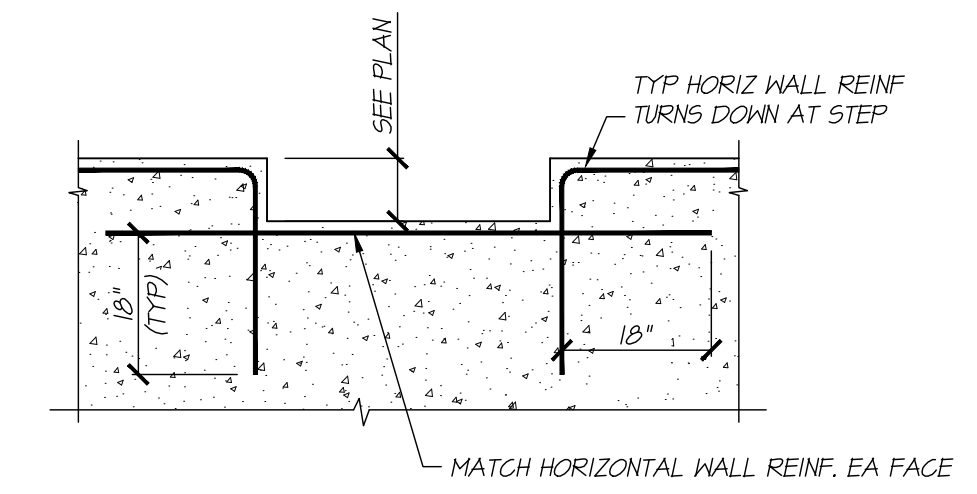


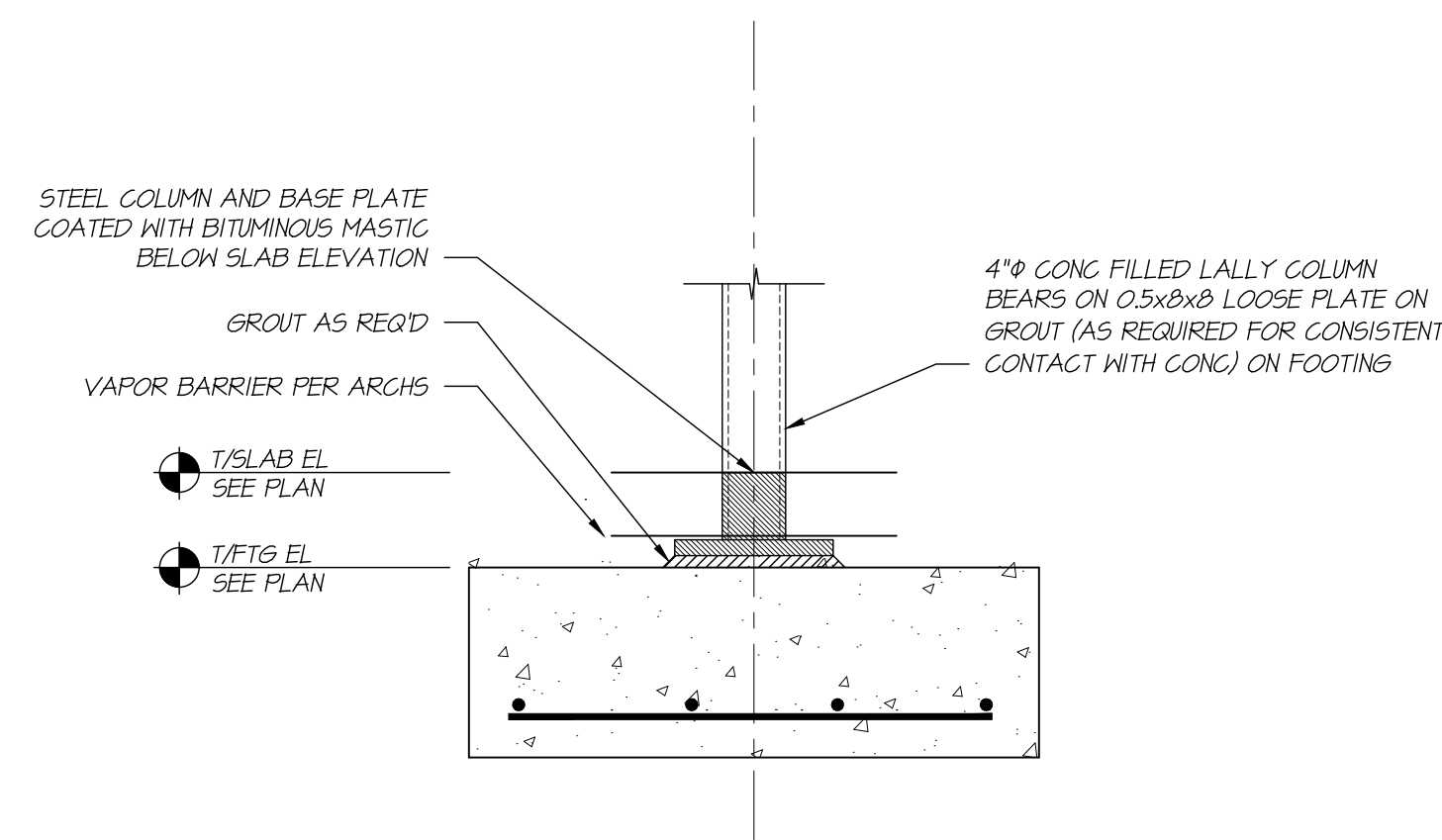
Notes:



WALL CONSTRUCTION JOINT
 PLAN VIEW

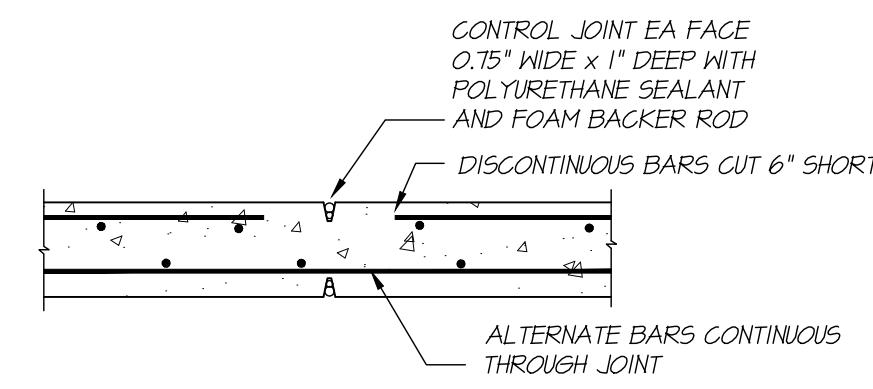


WALL DEPRESSION
 ELEVATION VIEW

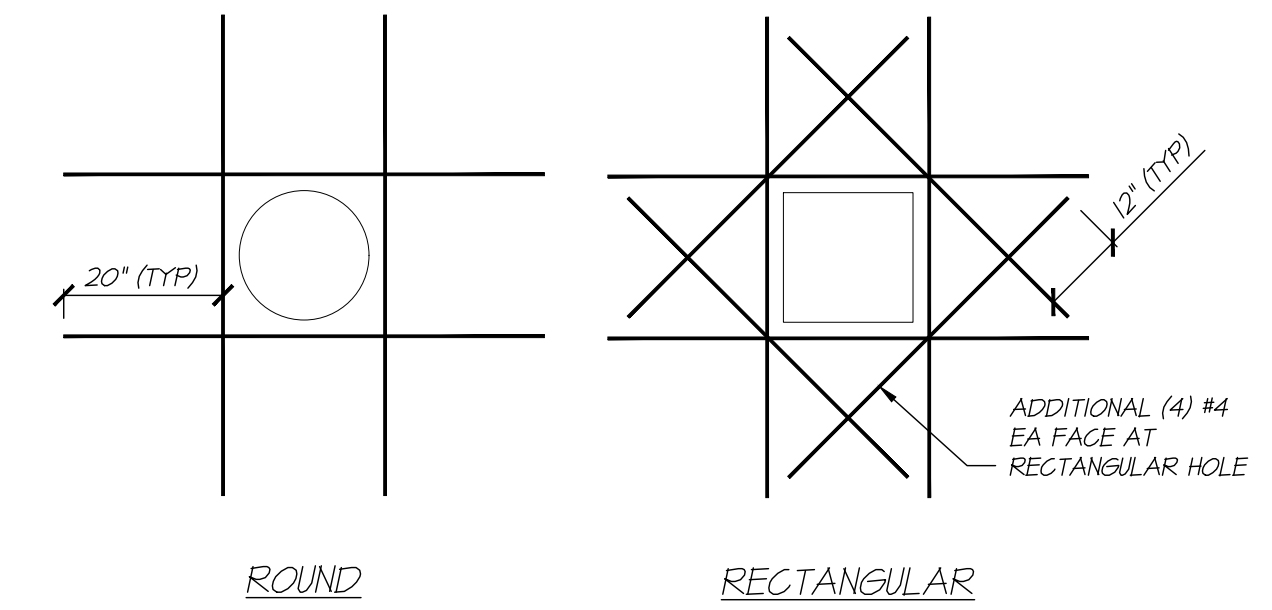


FOUNDATION SECTION
 1" = 1'-0"

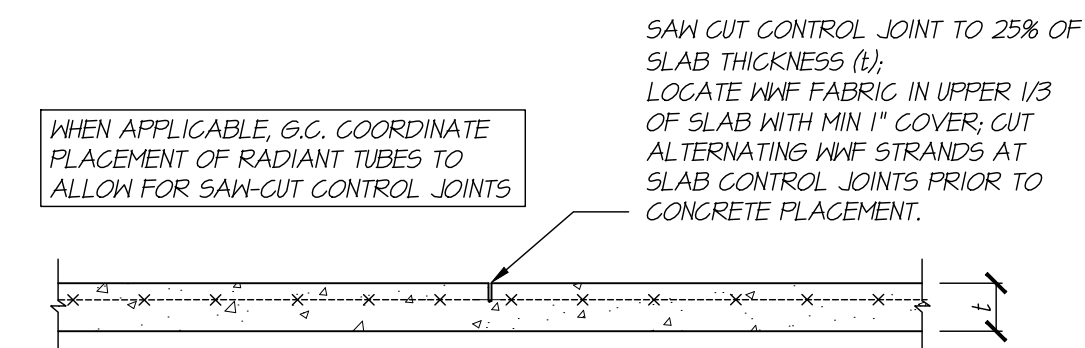
02
 S300



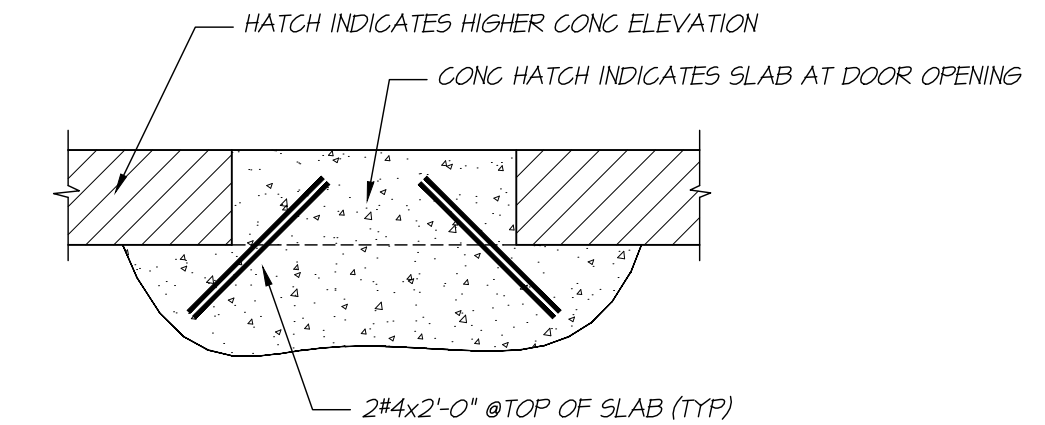
WALL CONTROL JOINT
 PLAN VIEW



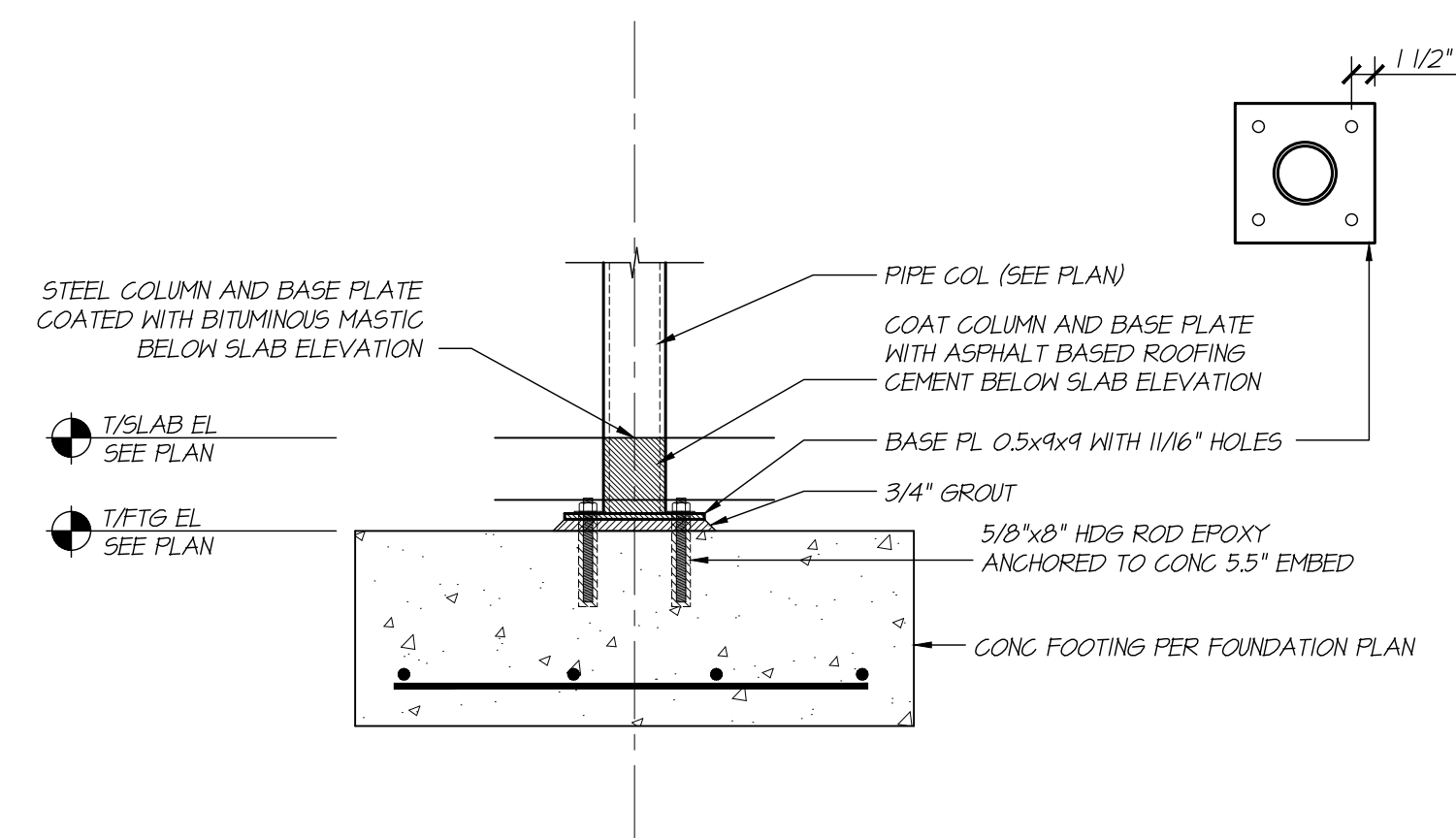
TYP OPENING IN WALL OR SLAB
 NOTE: APPLIES TO ANY PENETRATION LARGER THAN 2"



TYPICAL SLAB CONTROL JOINT
 SECTION

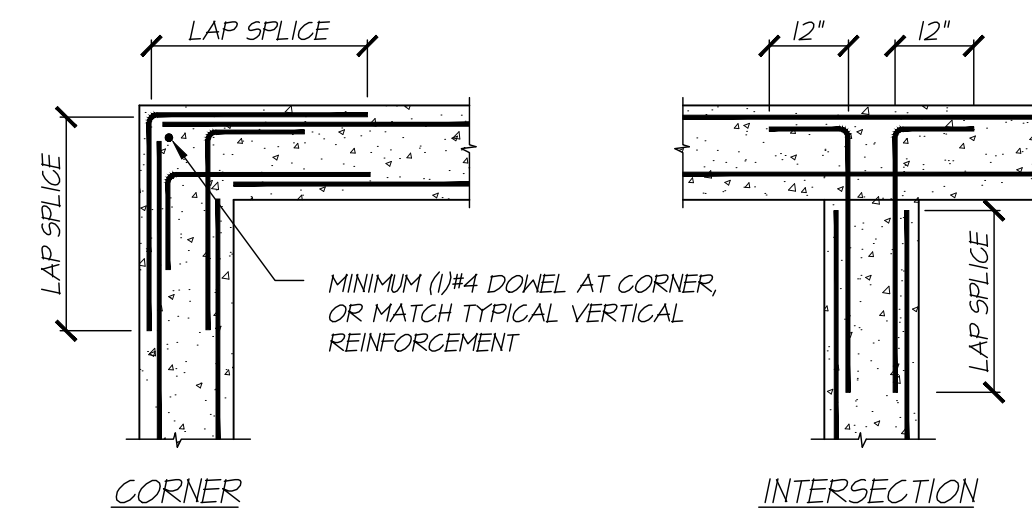


SLAB OUTSIDE CORNER
 PLAN VIEW

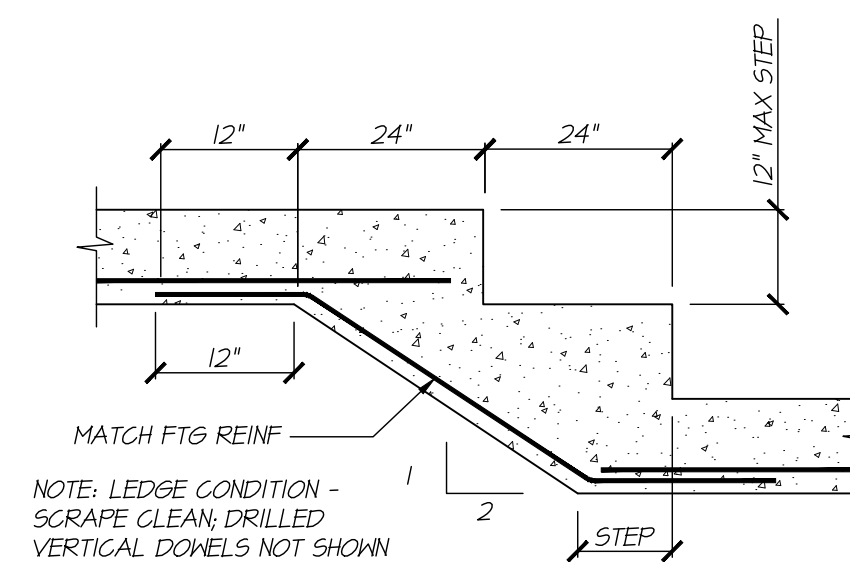


FOUNDATION SECTION
 1" = 1'-0"

01
 S300



TYP WALL & FTG REINFORCEMENT
 PLAN VIEW



FOOTING STEP
 SECTION

Architect:
Whitten Architects
 37 Silver Street
 Portland, Maine 04101
 Phone: (207) 774-0111
 www.whittenarchitects.com

Landscape Architect:
Soren DeNiord Design Studio
 43 Wellwood Road
 Portland, Maine 04103
 Phone: (207) 400-2450

Civil Engineer:
Walsh Engineering Assoc., Inc.
 One Karen Drive, Suite 2A
 Westbrook, Maine 04092
 Phone: (207) 553-9898

Structural Engineer:
Albert Putnam Associates
 183 Park Row
 Brunswick, Maine 04011
 Phone: (207) 729-6230

General Contractor:
Bunton Construction
 87 Middle Road
 Cumberland Center,
 Maine 04021
 Phone: (207) 829-6438

Drawing:
Foundation Details

Date:
 June 15, 2017

Issue:
Permit / Pricing Set

S300