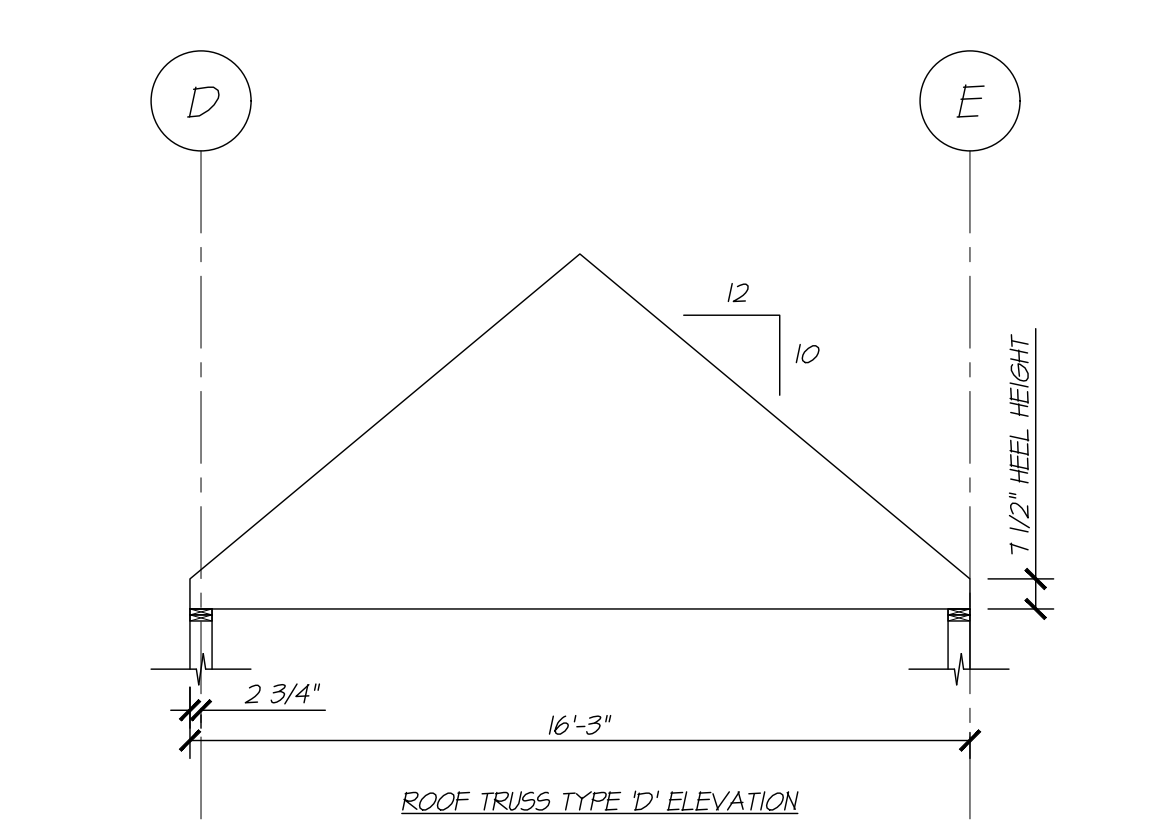
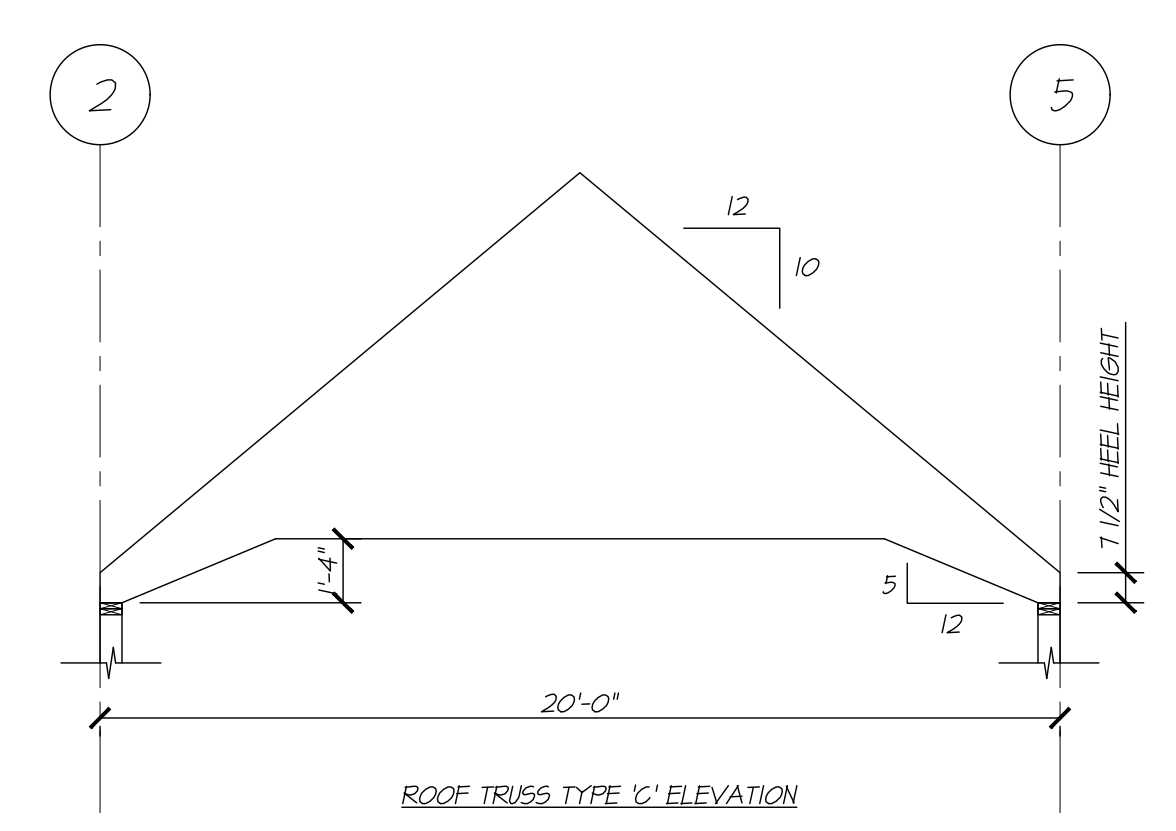
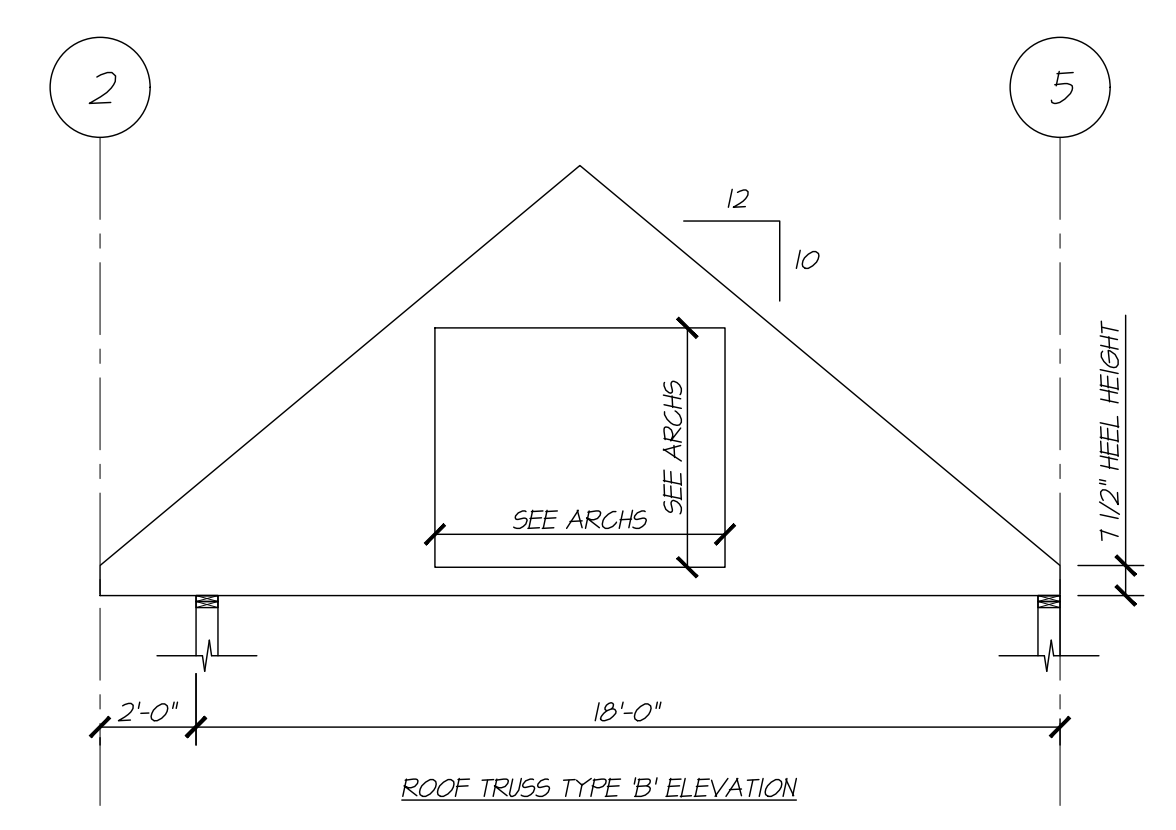
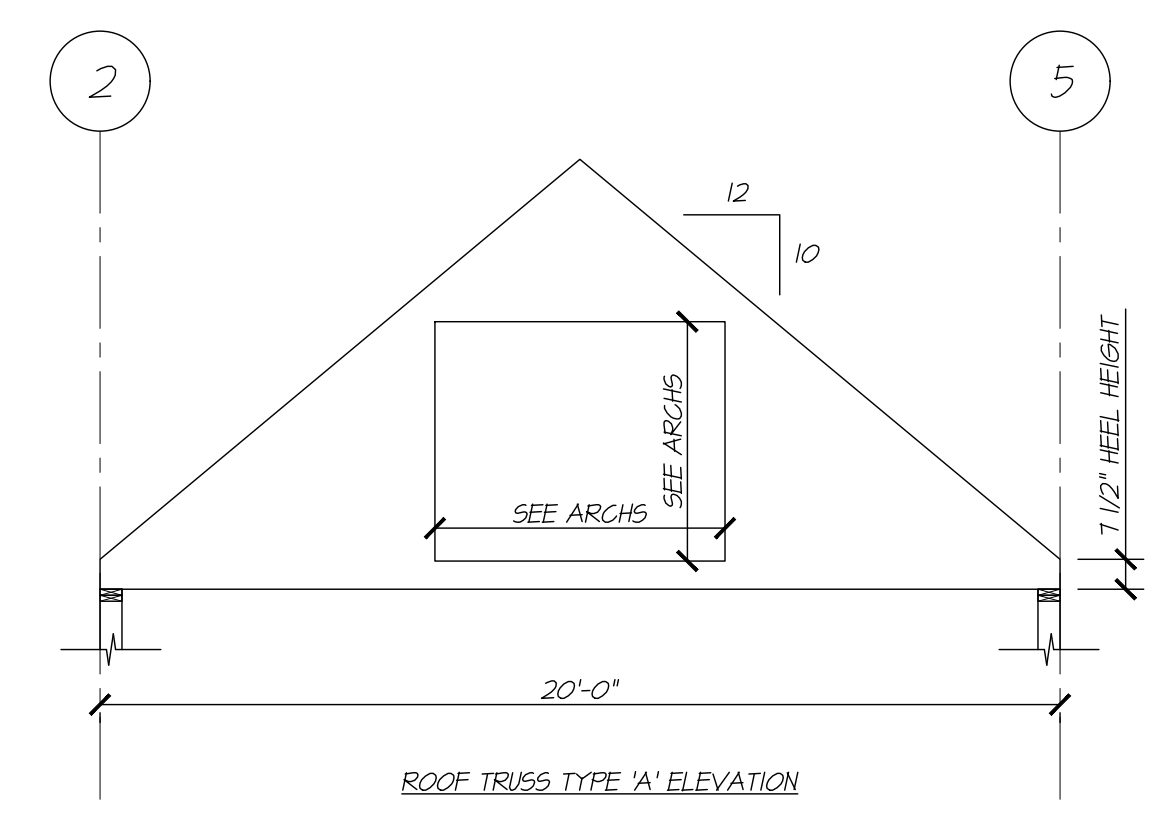
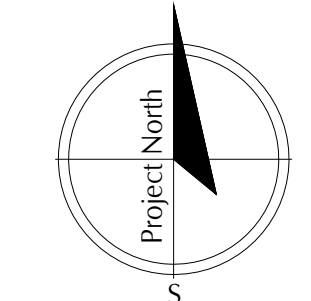
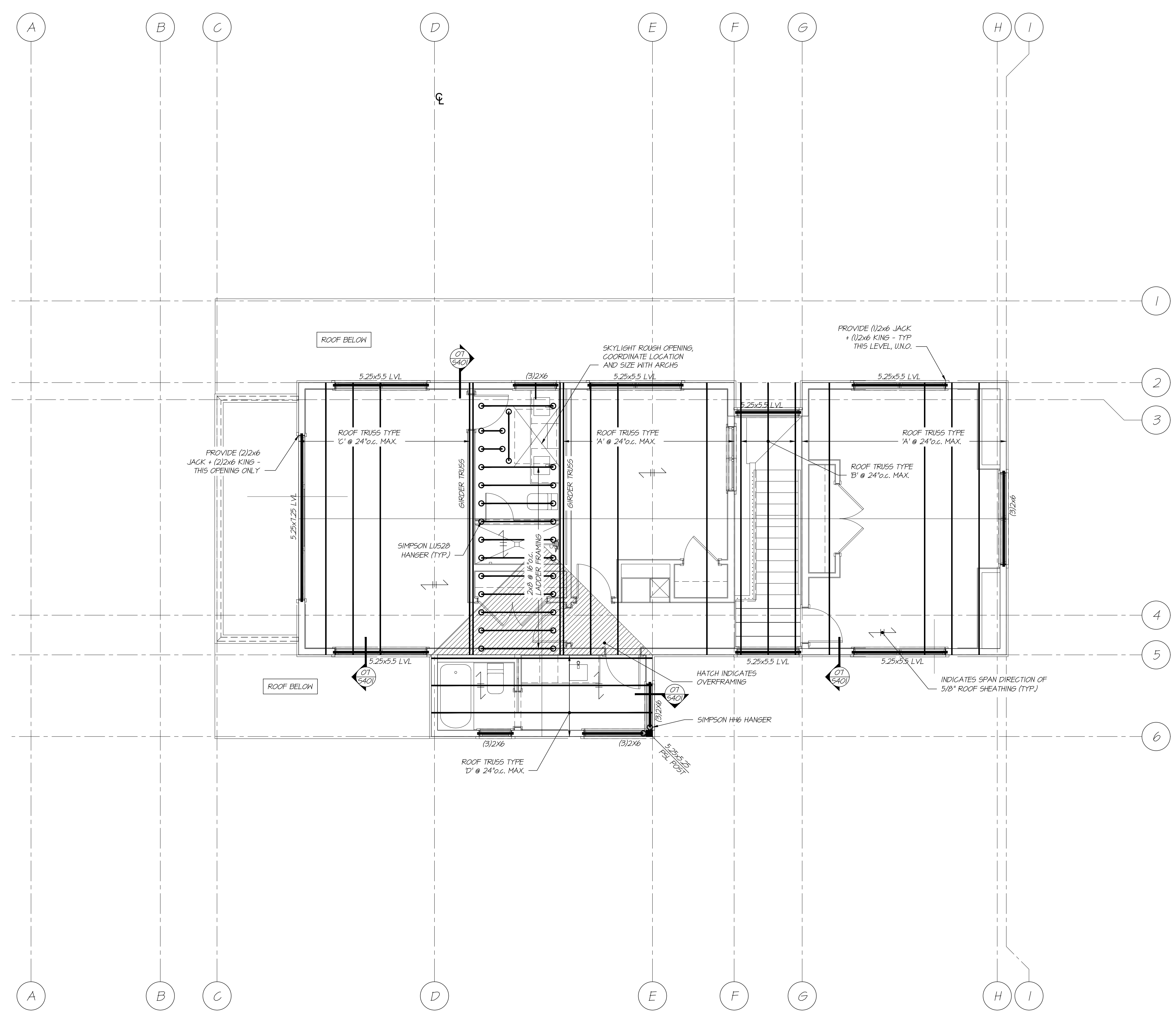


Notes:



ROOF TRUSS ELEVATIONS
 1/4" = 1'-0" 02
S203

* NOTE: SEE GENERAL NOTE SHEET S100 FOR DESIGN LOADS *



ROOF FRAMING PLAN
 1/4" = 1'-0" 01
S203

- Architect:**
 Whitten Architects
 37 Silver Street
 Portland, Maine 04101
 Phone: (207) 774-0111
 www.whittenarchitects.com
- Landscape Architect:**
 Soren DeNiord Design Studio
 43 Wellwood Road
 Portland, Maine 04103
 Phone: (207) 400-2450
- Civil Engineer:**
 Walsh Engineering Assoc., Inc.
 One Karen Drive, Suite 2A
 Westbrook, Maine 04092
 Phone: (207) 553-9898
- Structural Engineer:**
 Albert Putnam Associates
 183 Park Row
 Brunswick, Maine 04011
 Phone: (207) 729-6230
- General Contractor:**
 Bunton Construction
 87 Middle Road
 Cumberland Center,
 Maine 04021
 Phone: (207) 829-6438

Drawing:
 Roof Framing Plan

Date:
 June 15, 2017

Issue:
 Permit / Pricing Set

S203