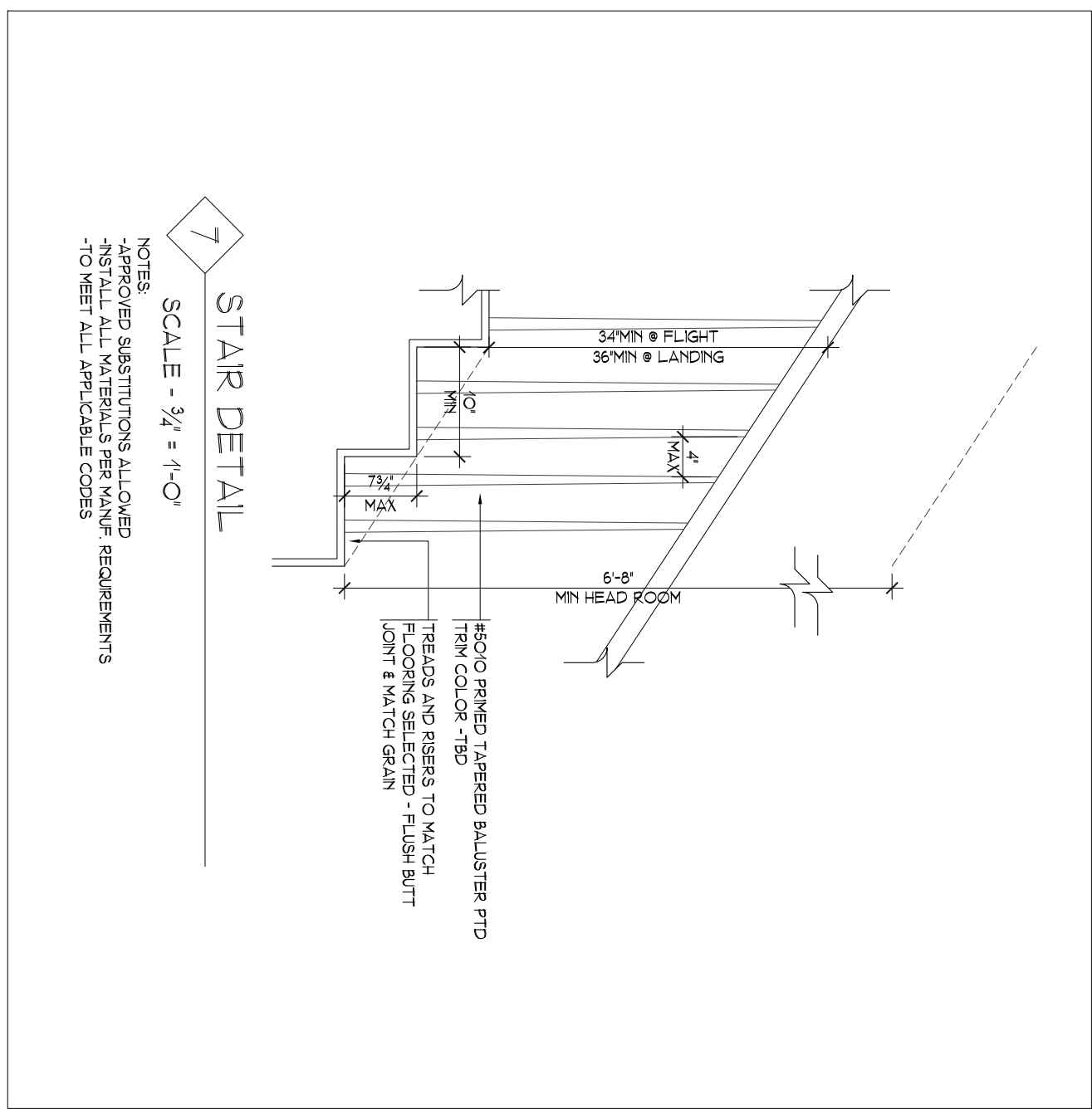
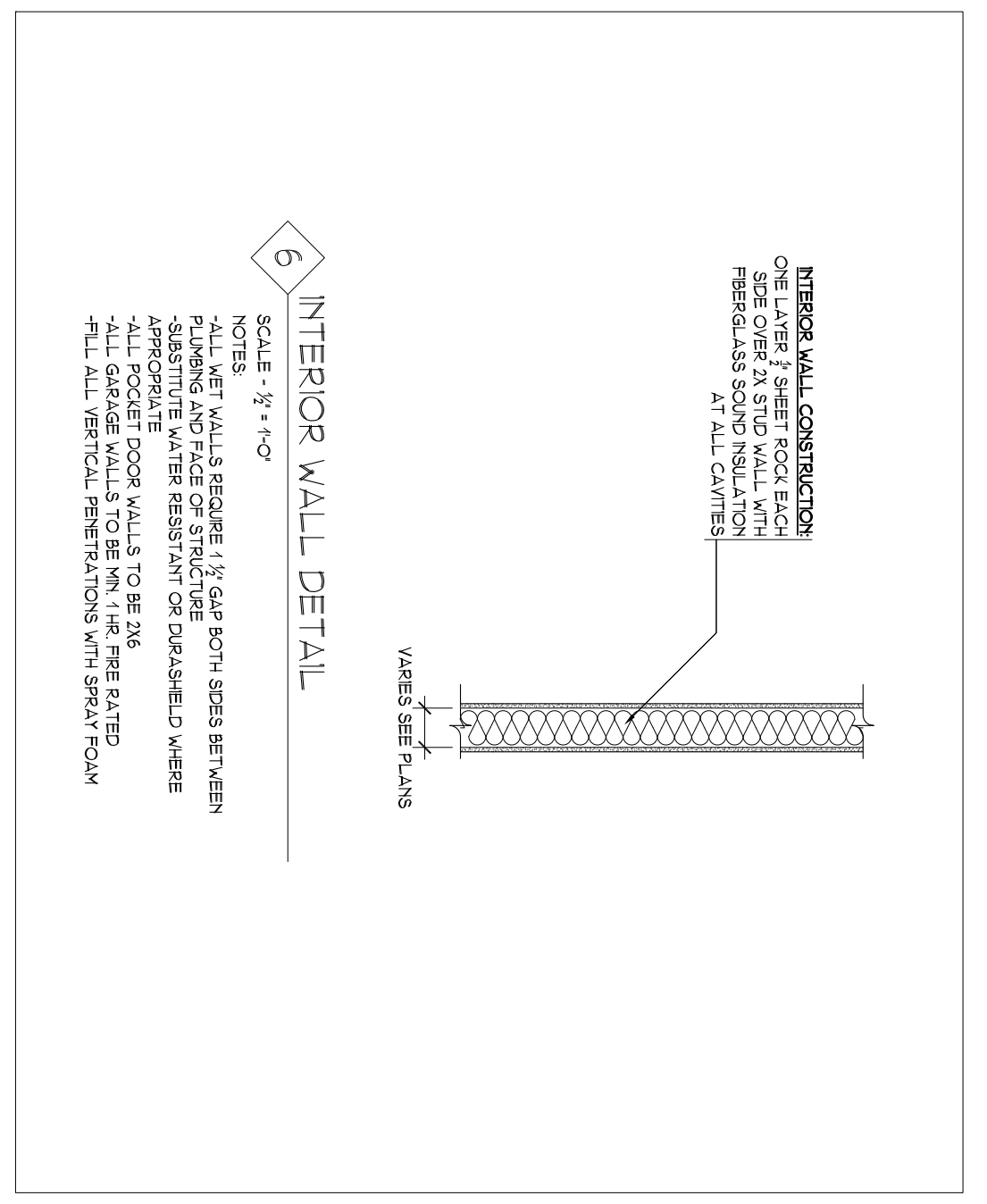
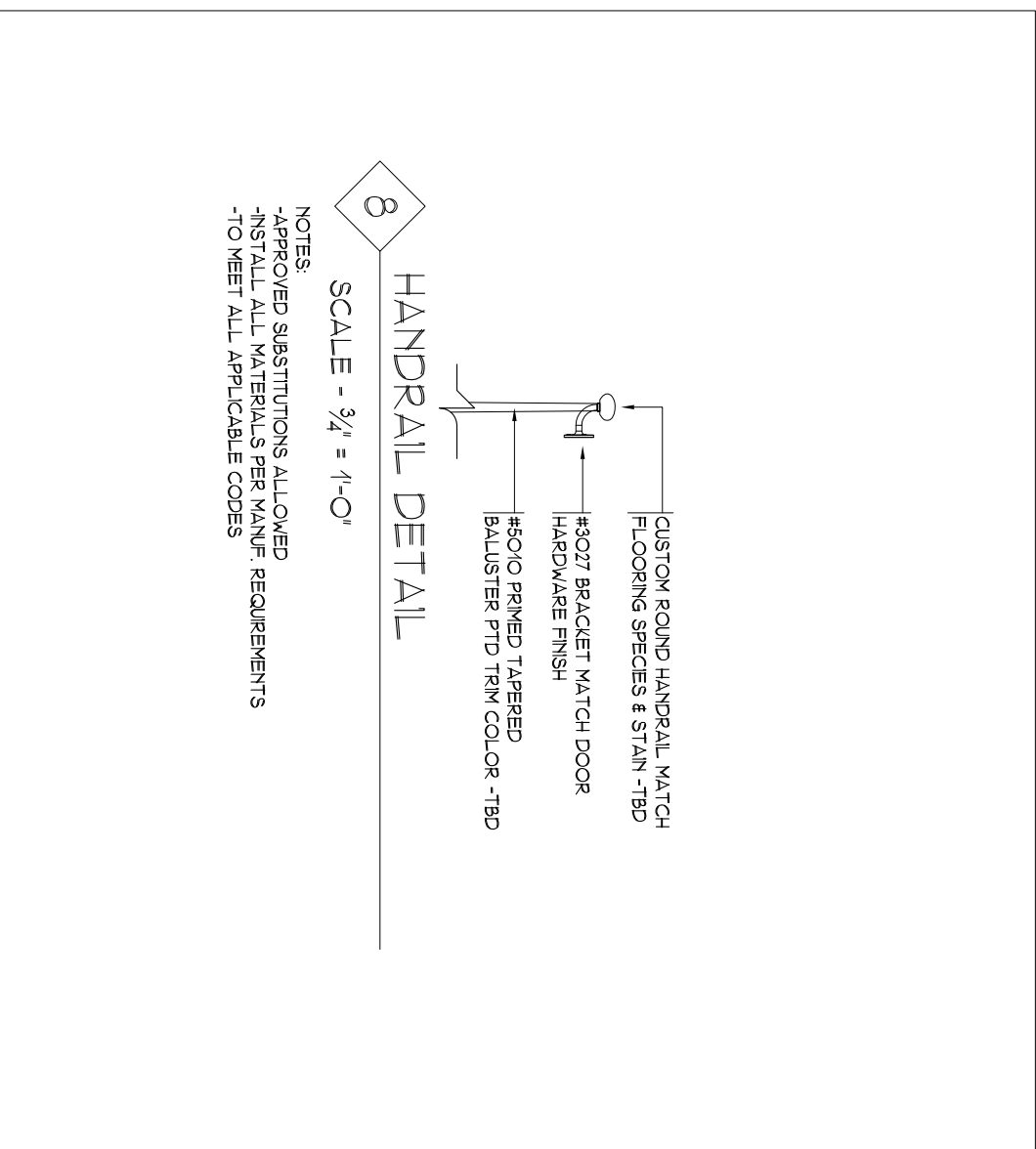
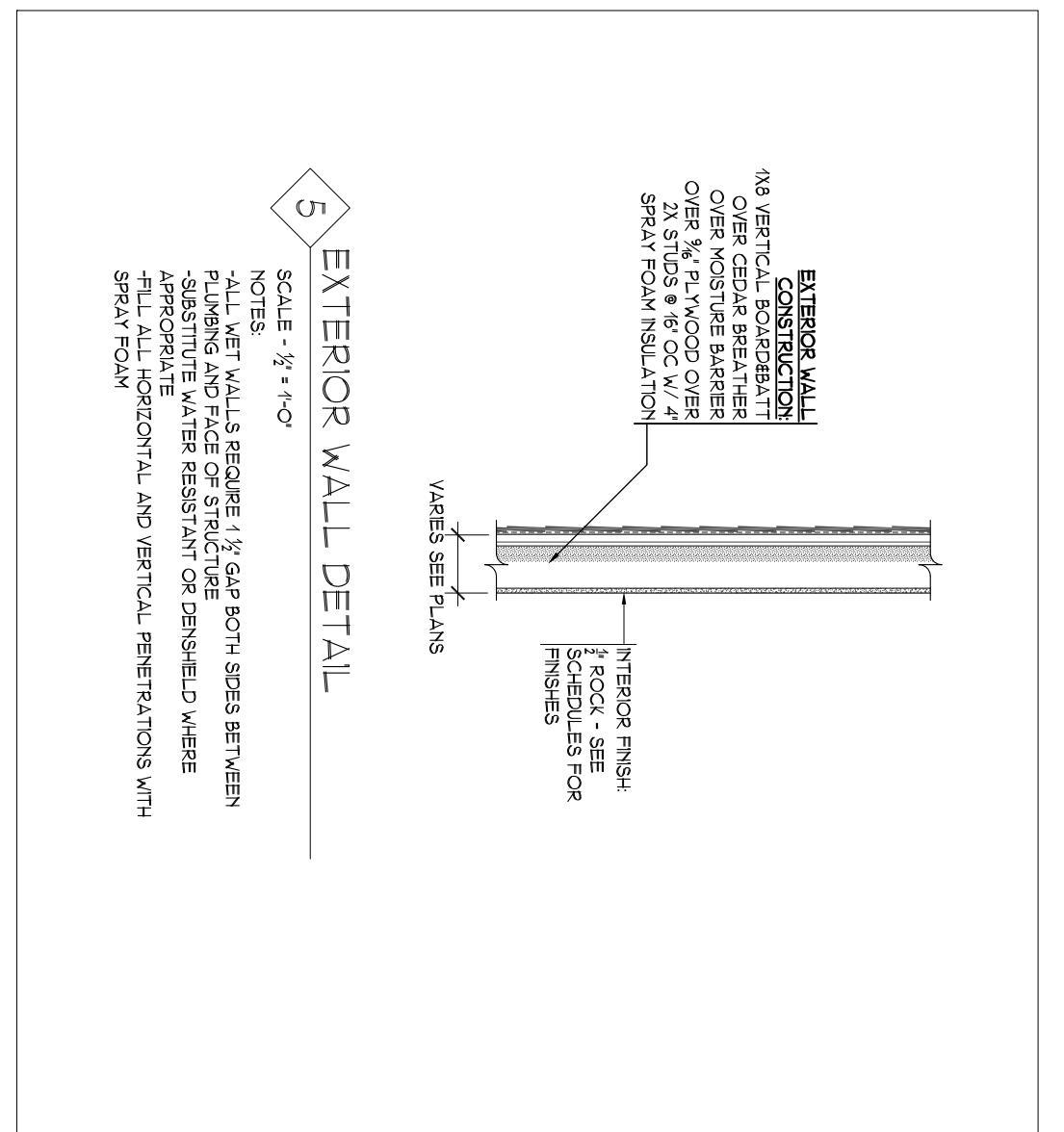


FIRST FLOOR
SCALE: 1/4" = 1'-0"



Sheet #	Title	Rev	Date	By	Check
A1.2	First Floor Plan	E017	089	TEW	TEW
of TK					