

SUBMITTAL DATA: MSZ-FH15NA & MUZ-FH15NA
15,000 BTU/H WALL-MOUNTED HEAT PUMP SYSTEM

Job Name:

System Reference:

Date:



GENERAL FEATURES

- Highly energy-efficient system that features 100% heating capacity at 5°F, 82% at -4°F, and 62% at -13°F
- Updated sleek, compact indoor unit design
- Includes Standard, Platinum Deodorizing, and Anti-allergy Enzyme filters for a complete air purifying system
- “Powerful Mode” function permits system to temporarily run at a lower/higher temperature with an increased fan speed, which quickly brings the room to the optimum comfort level
- Integrated i-see Sensor automatically adjusts the unit’s operation according to temperature differences detected between the floor and the intake air, ensuring optimum comfort and energy usage
- Hand-held Wireless Remote Controller
- Base Pan Heater is available as an option
- Limited warranty: five years parts and seven years compressors

ACCESSORIES

Outdoor Unit

- Base Pan Heater (MAC-642BH-U)
- Three-pole Disconnect Switch (TAZ-MS303)
- Air Outlet Guide (MAC-886SG-E)
- Mounting Base (DSD-400N)
- Mounting Pad (ULTRILITE1)
- Drain Socket Assembly (MAC-851DS)

Indoor Unit

- Condensate Pump (BlueDiamond X87-711/721; 115/230V)
- Condensate Pump (Sauermann SI30-115/230; 115/230V)
- Replacement Platinum Deodorizing Filter (MAC-3000FT-E)
- Replacement Anti-allergy Enzyme Filter (MAC-2330FT-E)

Controller Options

- Wireless Wall-mounted Remote Controller Kit (MHK1)*
- Portable Central Controller (MCCH1)*
- Outdoor Air Sensor (MOS1)*
- Wired Wall-mounted Controller (PAR-31MAA requires MAC-333IF)*
- Simple MA Remote Controller (PAC-YT53CRAU requires MAC-333IF)*

*See Submittal for information on each option

- System Control Interface (MAC-333IF)
- Remote Temperature Sensor (M21-JKO-307)
- Lockdown Bracket for Hand-held Controller (RCMKP1CB)



SPECIFICATIONS : MSZ-FH15NA & MUZ-FH15NA

Cooling *1

| | |
|---------------------------|----------------------|
| Rated Capacity | 15,000 Btu/h |
| Capacity Range | 6,450 - 19,000 Btu/h |
| Rated Total Input | 1,200 W |
| Maximum Total Input | 2,200 W |
| SEER | 22.0 Btu/h/W |

Heating at 47° F *2

| | |
|---------------------------|----------------------|
| Rated Capacity | 18,000 Btu/h |
| Capacity Range | 5,150 - 24,000 Btu/h |
| Rated Total Input | 1,300 W |
| Maximum Total Input | 3,360 W |
| HSPF | 12.0 Btu/h/W |

Heating at 17° F *3

| | |
|---------------------------|--------------|
| Rated Capacity | 11,000 Btu/h |
| Maximum Capacity | 18,000 Btu/h |
| Rated Total Input | 1,020 W |
| Maximum Total Input | 2,480 W |

Heating at 5° F

| | |
|---------------------------|--------------|
| Maximum Capacity | 18,000 Btu/h |
| Maximum Total Input | 3,000 W |

Rating Conditions:

- *1 Cooling | Indoor: 80° F (27° C) DB / 67° F (19° C) WB
- *1 Cooling | Outdoor: 95° F (35° C) DB / 75° F (24° C) WB
- *2 Heating at 47°F | Indoor: 70° F (21° C) DB / 60° F (16° C) WB
- *2 Heating at 47°F | Outdoor: 47° F (8° C) DB / 43° F (6° C) WB
- *3 Heating at 17° F | Indoor: 70° F (21° C) DB / 60° F (16° C) WB
- *3 Heating at 17° F | Outdoor: 17° F (-8° C) DB / 15° F (-9° C) WB
- *4 Heating at 5° F | Indoor: 70° F (21° C) DB / 60° F (16° C) WB
- *4 Heating at 5° F | Outdoor: 5° F (-15° C) DB / 5° F (-15° C) WB

Electrical Requirements

| | |
|--------------------|----------------------------|
| Power Supply | 208 / 230V, 1-Phase, 60 Hz |
| Breaker Size | 20 A |

Voltage

| | |
|----------------------------------|---------------------|
| Indoor - Outdoor S1-S2 | AC 208 / 230V |
| Indoor - Outdoor S2-S3 | DC +/- 24V |
| Indoor - Remote Controller | MHK1 DC 3V |
| | PAR-31MAA DC 12V |
| | PAC-YT53CRAU DC 12V |

Operating Conditions

Cooling

| | |
|------------------------------------|--|
| Indoor Intake Air Temp. . . (Max.) | 90° F (32° C) DB / 73° F (23° C) WB |
| | (Min.) 67° F (19° C) DB / 57° F (14° C) WB |

| | |
|---|--------------------------|
| Outdoor Intake Air Temp. (Max.) | 115° F (46° C) DB |
| | (Min.) 14° F (-10° C) DB |

Heating

| | |
|------------------------------------|--|
| Indoor Intake Air Temp. . . (Max.) | 80° F (27° C) DB / 67° F (19° C) WB |
| | (Min.) 70° F (21° C) DB / 60° F (16° C) WB |

| | |
|---------------------------------|--|
| Outdoor Intake Air Temp. (Max.) | 75° F (24° C) DB / 65° F (18° C) WB |
| | (Min.) -13° F (-25° C) DB / -15° F (-26° C) WB** |

** System cuts out at -18° F (-28° C) to avoid thermistor error, but recovers from cutout operation and automatically restarts at -14° F (-26° C).

Indoor Unit

| | |
|---------------------------|-------------|
| MCA | 1.0 A |
| Blower Motor (ECM)..... | 0.67 F.L.A. |
| Blower Motor Output | 30 W |

Airflow (Lo - Med - Hi - Super Hi - Powerful)

| | |
|---------------|-----------------------------|
| Cooling | 225-262-304-355-411 Dry CFM |
| | 194-225-261-305-354 Wet CFM |
| Heating | 201-254-317-394-497 Dry CFM |

Sound Pressure Level (Lo - Med - Hi - Super Hi - Powerful)

| | |
|---------------|----------------------|
| Cooling | 27-31-35-39-44 dB(A) |
| Heating | 25-29-34-39-46 dB(A) |

External Finish Color

Munsell 1.0Y 9.2/0.2

External Dimensions

| | |
|-------------|-------------------------------------|
| Inches..... | 12 + 11/16 H x 36-7/16 W x 9-3/16 D |
| mm: | 305 +17 H x 925 W x 234 D |

Weight Unit

29 lbs. / 12 kg

Field Drainpipe Size O.D.

19/32 In. / 15mm

Outdoor Unit

| | |
|-----------------------|-------------|
| MCA | 16 A |
| Fan Motor (ECM) | 0.93 F.L.A. |

Sound Pressure Level

| | |
|------------------|----------|
| Cooling *1..... | 51 dB(A) |
| Heating *2 | 55 dB(A) |

External Finish Color

Munsell 3Y 7.8/1.1

Dimensions

| | |
|-------------|-----------------------------|
| Inches..... | 34-5/8 H x 33-1/16 W x 13 D |
| mm: | 880 H x 840 W x 330 |

Weight

124 lbs. / 56 kg

Refrigerant Type

R410A

Refrigerant Pipe

| | |
|-----------------------|----------------|
| Gas Side O.D. | 1/2" x 12.7 mm |
| Liquid Side O.D. | 1/4" x 6.35 mm |

Refrigerant Pipe Length

| | |
|--------------------------------|------------|
| Height Difference (Max.) | 50' x 15m |
| Length (Max.) | 100' x 30m |

Connection Method

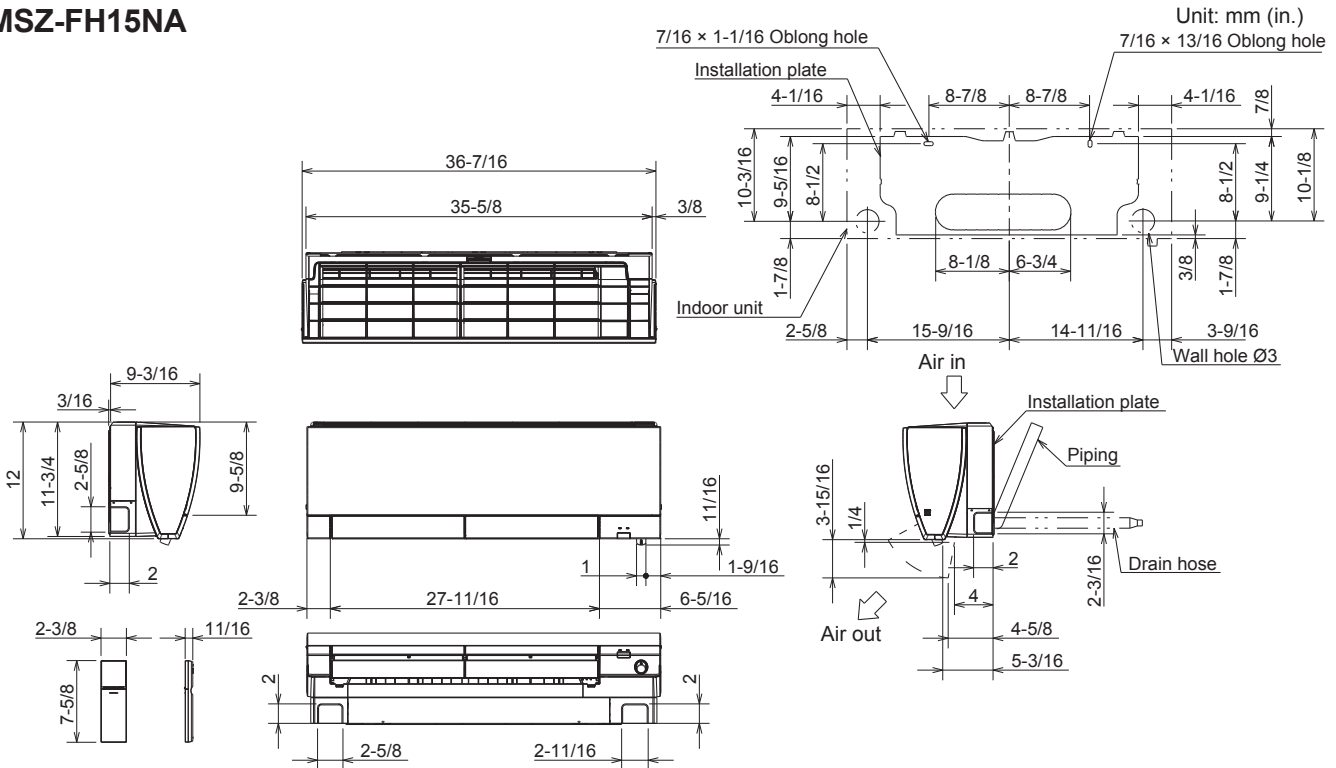
Indoor/Outdoor

Flared

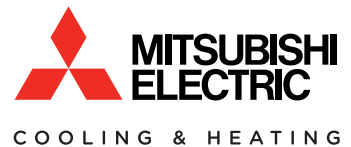
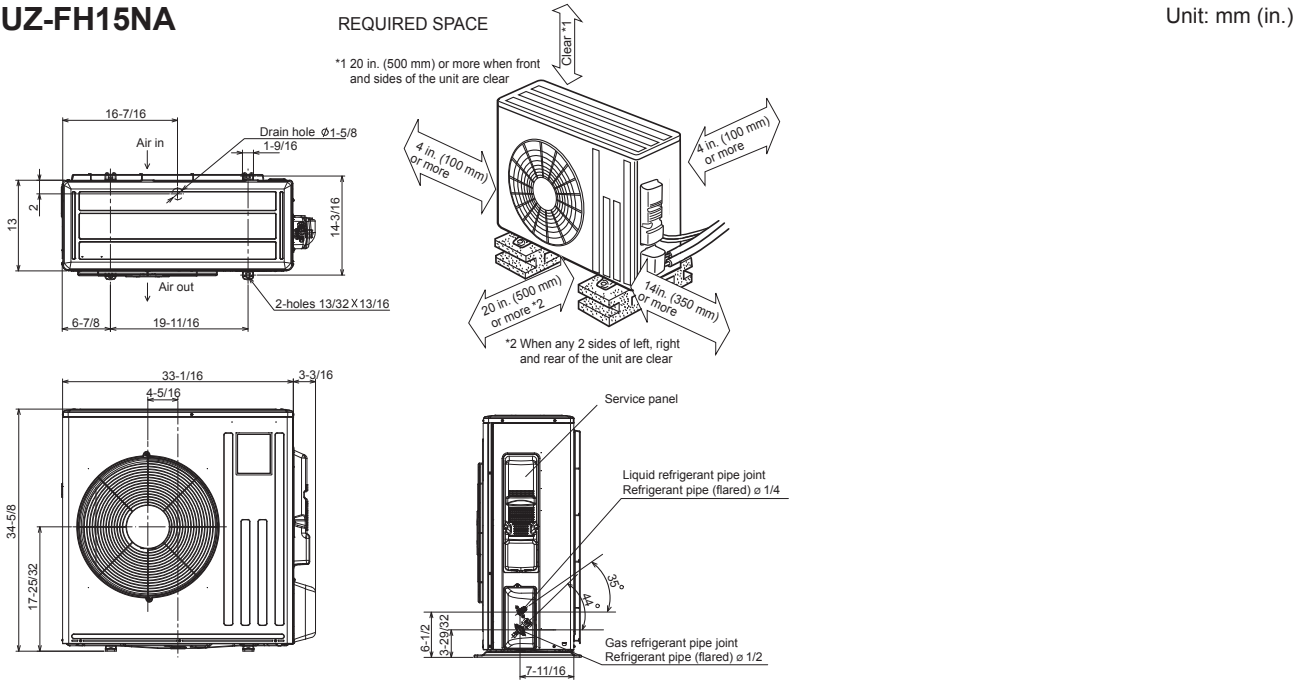
Notes:

DIMENSIONS: MSZ-FH15NA & MUZ-FH15NA

MSZ-FH15NA



MUZ-FH15NA



1340 Satellite Boulevard
 Suwanee, GA 30024
 Tele: 678-376-2900 • Fax: 800-889-9904
 Toll Free: 800-433-4822
 www.mehvac.com