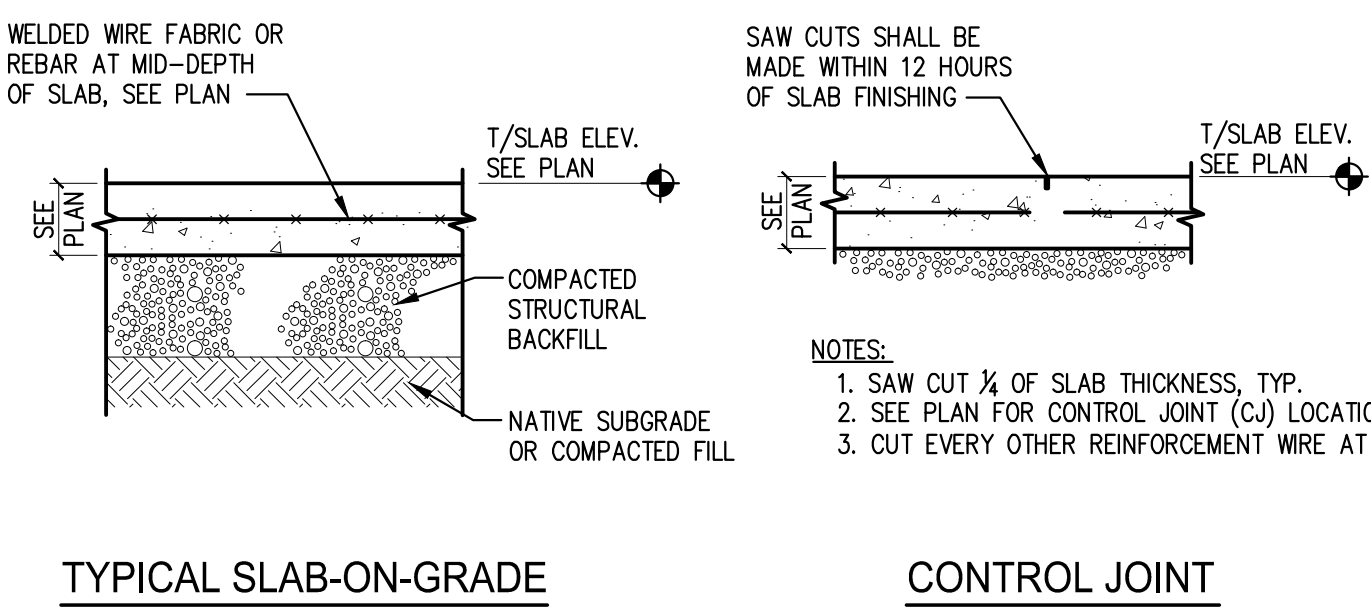
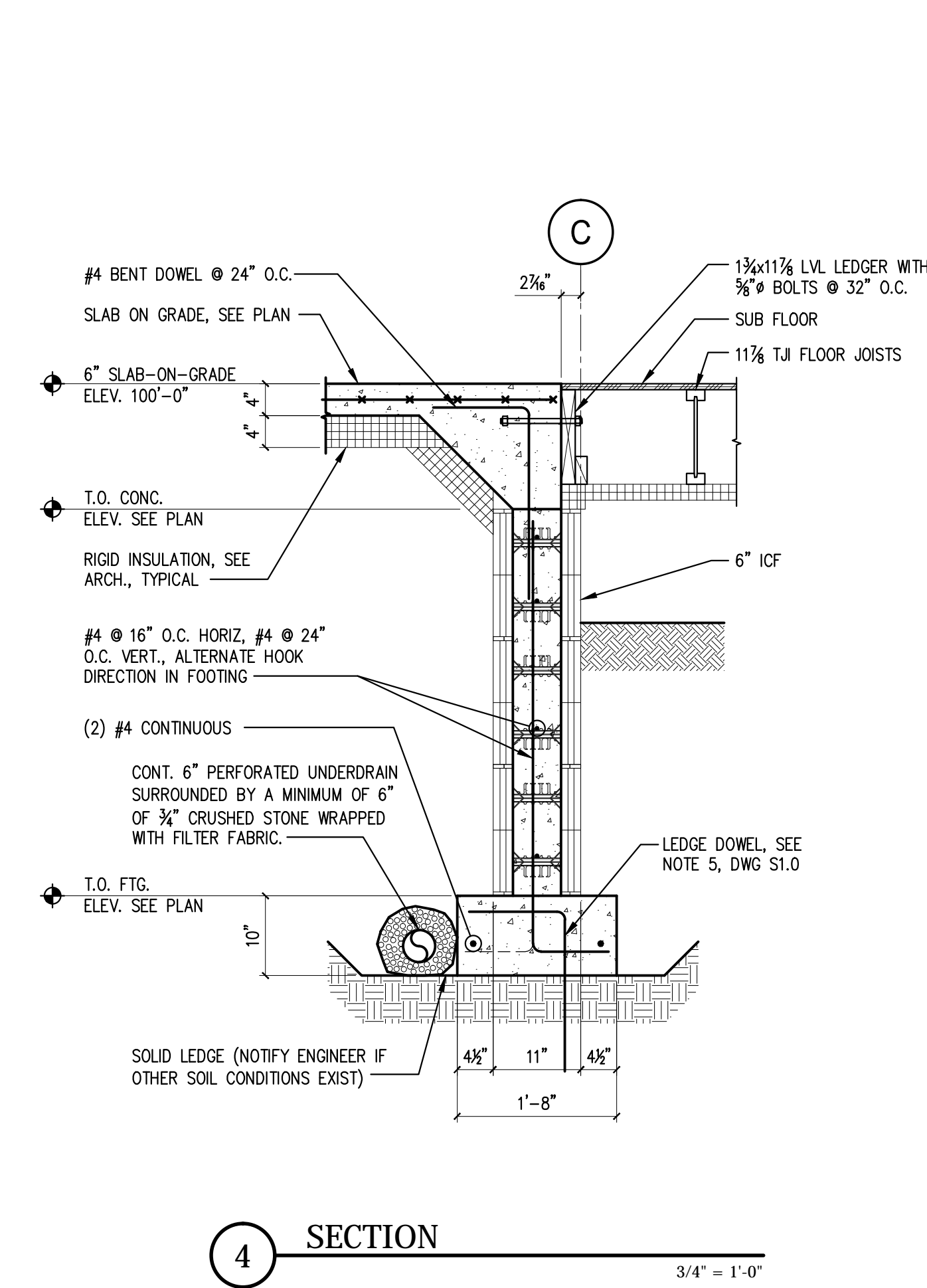
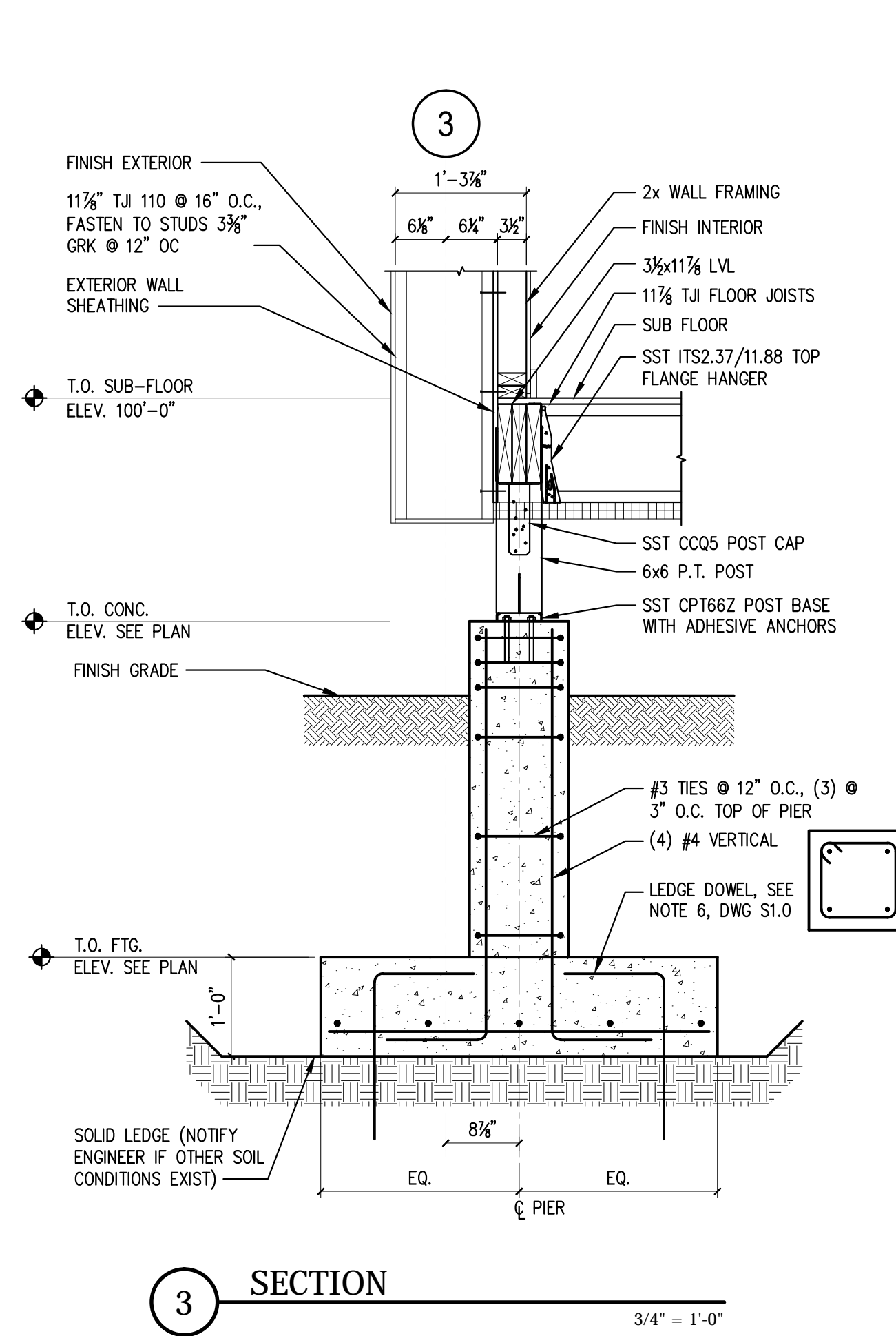
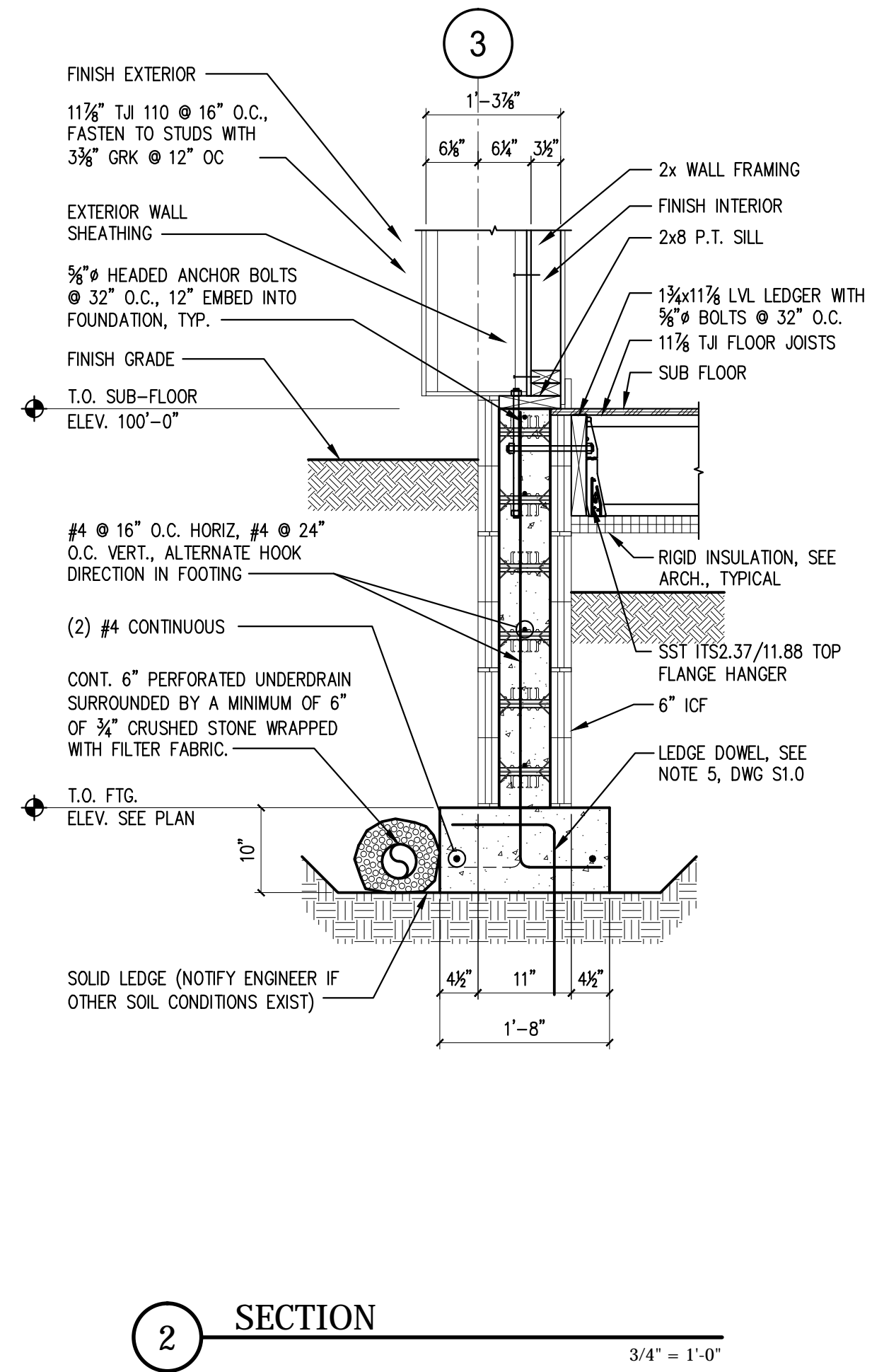
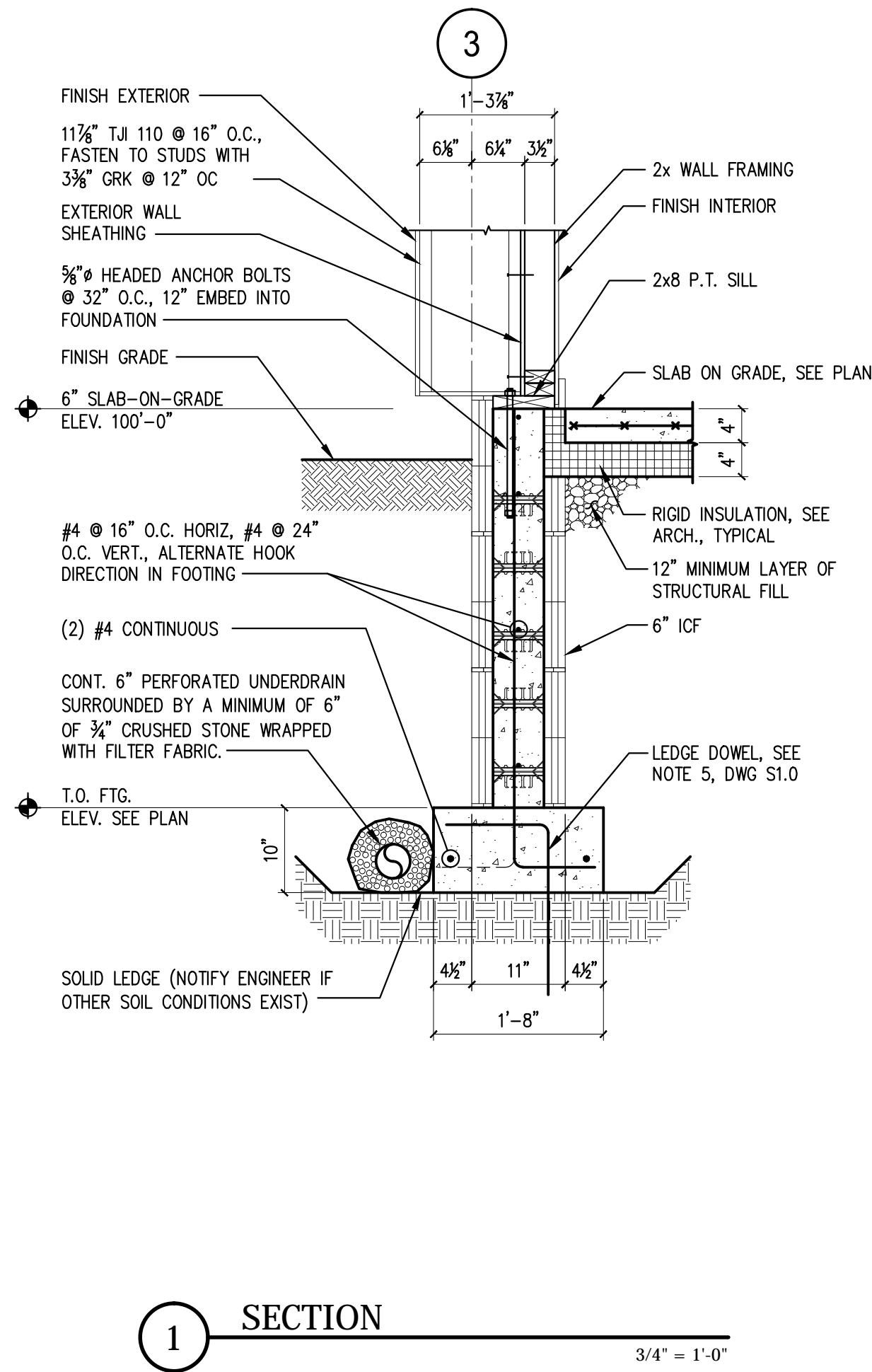
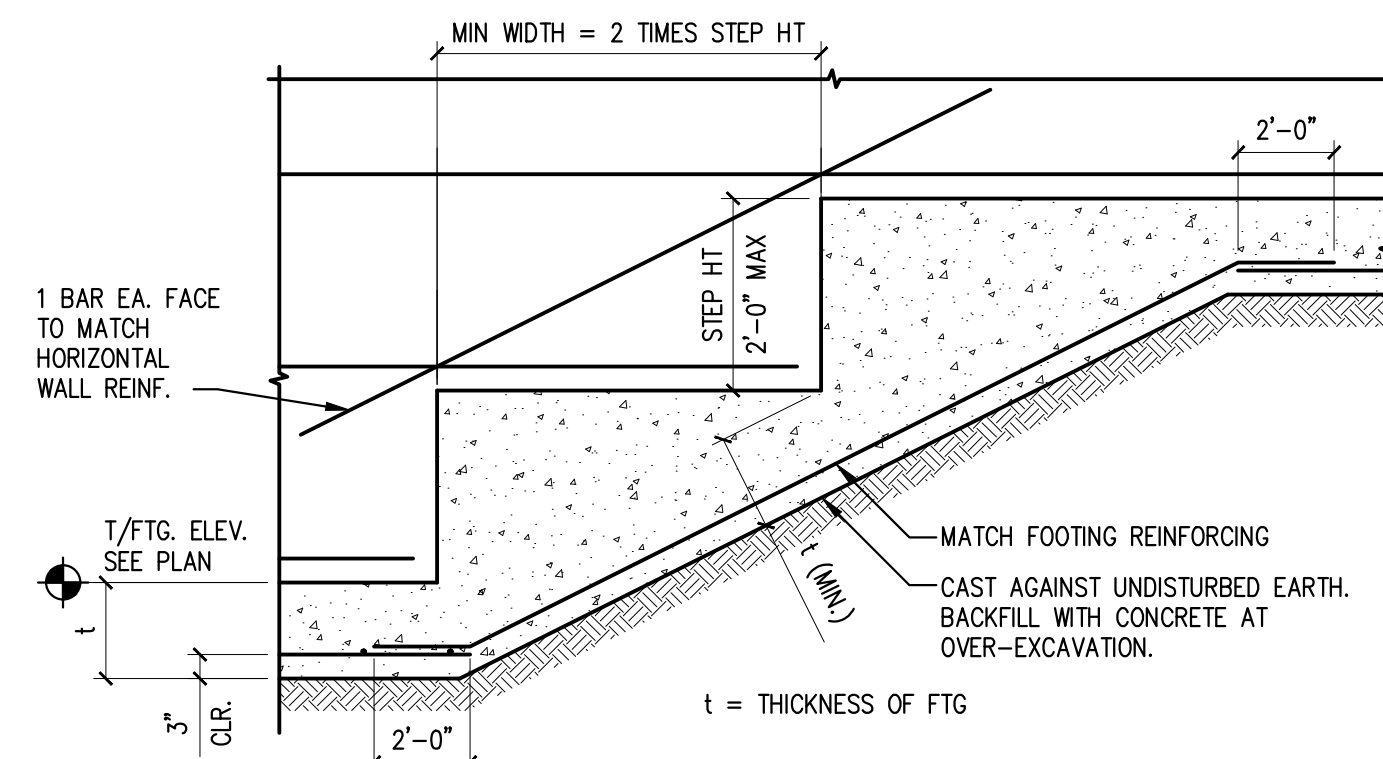
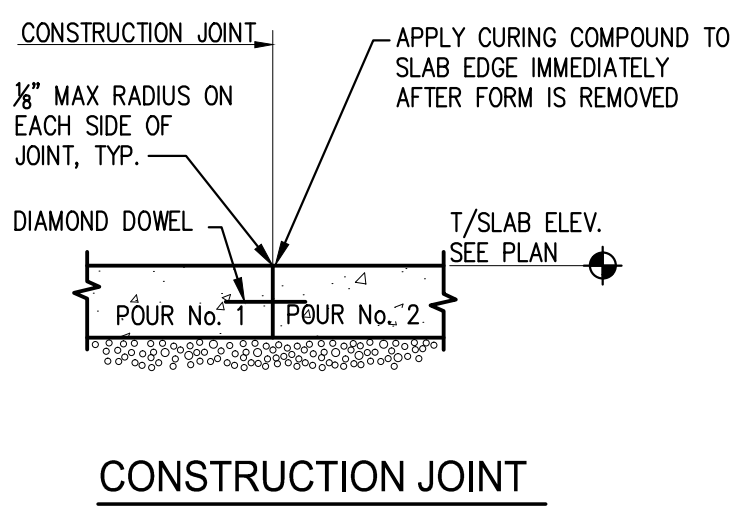


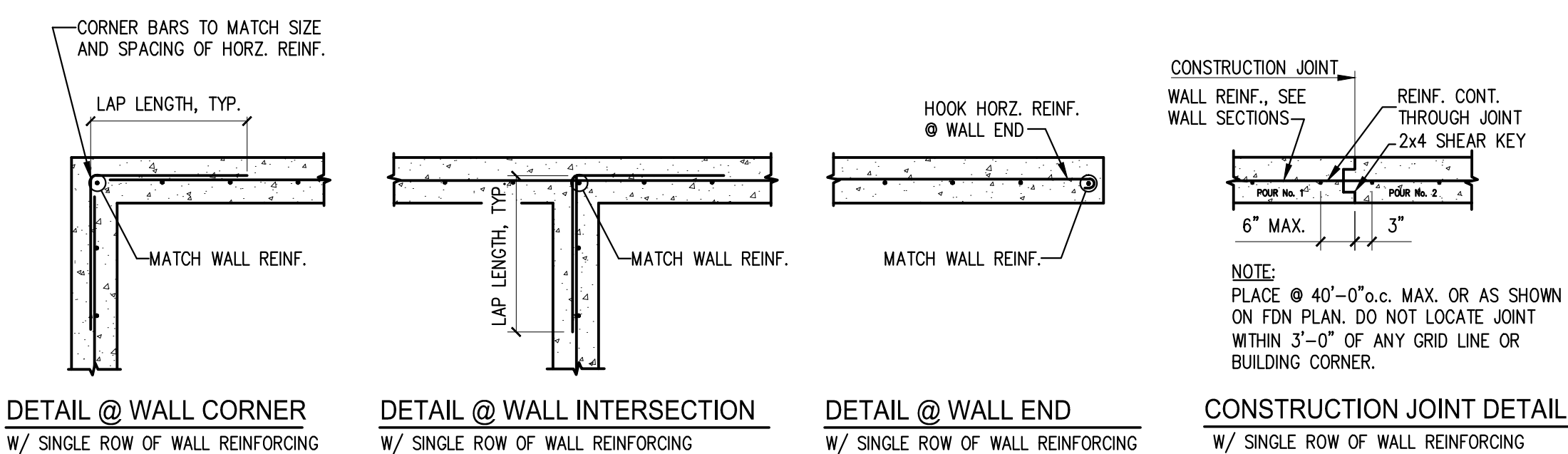
PRINTED: Jun 22, 2016



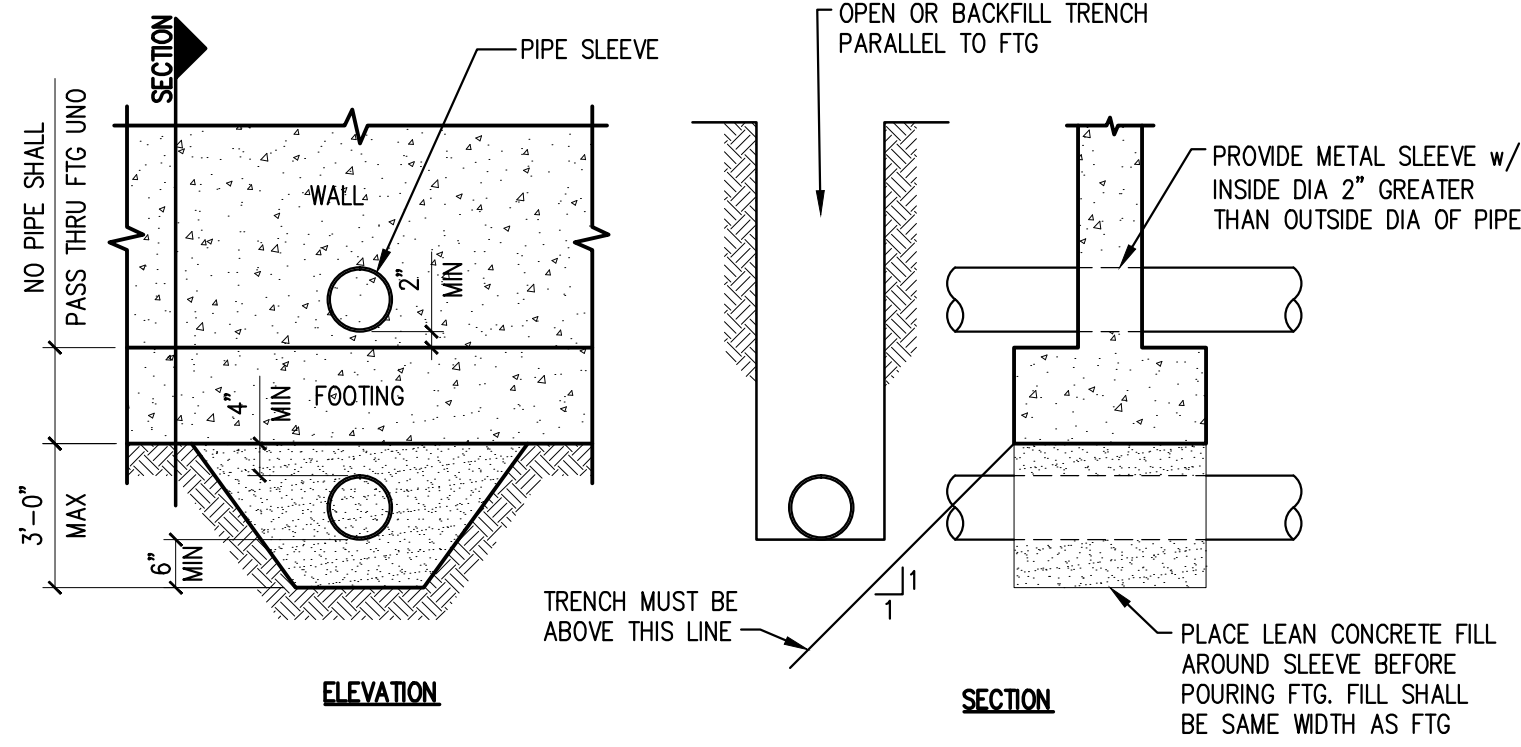
TYPICAL SLAB-ON-GRADE DETAILS
SCALE: NTS



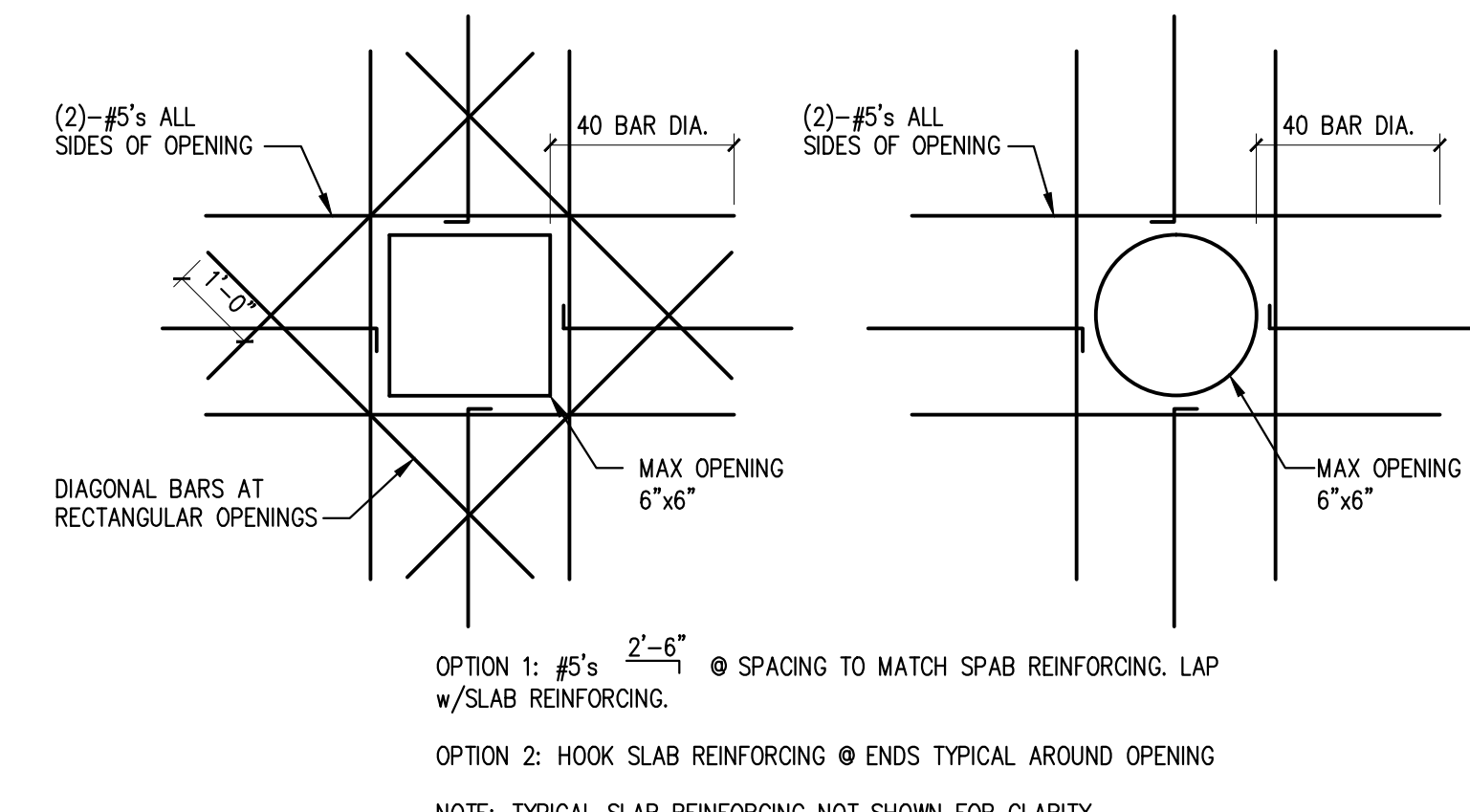
TYPICAL STEPPED FOOTING DETAIL
SCALE: NTS



TYPICAL FOUNDATION WALL DETAILS
SCALE: NTS



TYPICAL THROUGH WALL WALL PENETRATION DETAIL
SCALE: NTS



TYPICAL OPENING IN WALL OR SLAB DETAIL
SCALE: NTS

ISSUED	DESCRIPTION	DR.	CHK.	DATE
A	ISSUED FOR PERMIT	PR	BT	4-1-16
B	ISSUED FOR PRICING	PR	PR	5-26-16
C	GENERAL REVISIONS	PR	PR	6-8-16
D	ISSUED FOR CONSTRUCTION	PR	PR	6-22-16

SHEET TITLE:
TYPICAL CONCRETE DETAILS AND SECTIONS

DESIGNED: PR
DRAWN: PR
DATE: 03-29-16
PROJECT NUMBER: 16-010