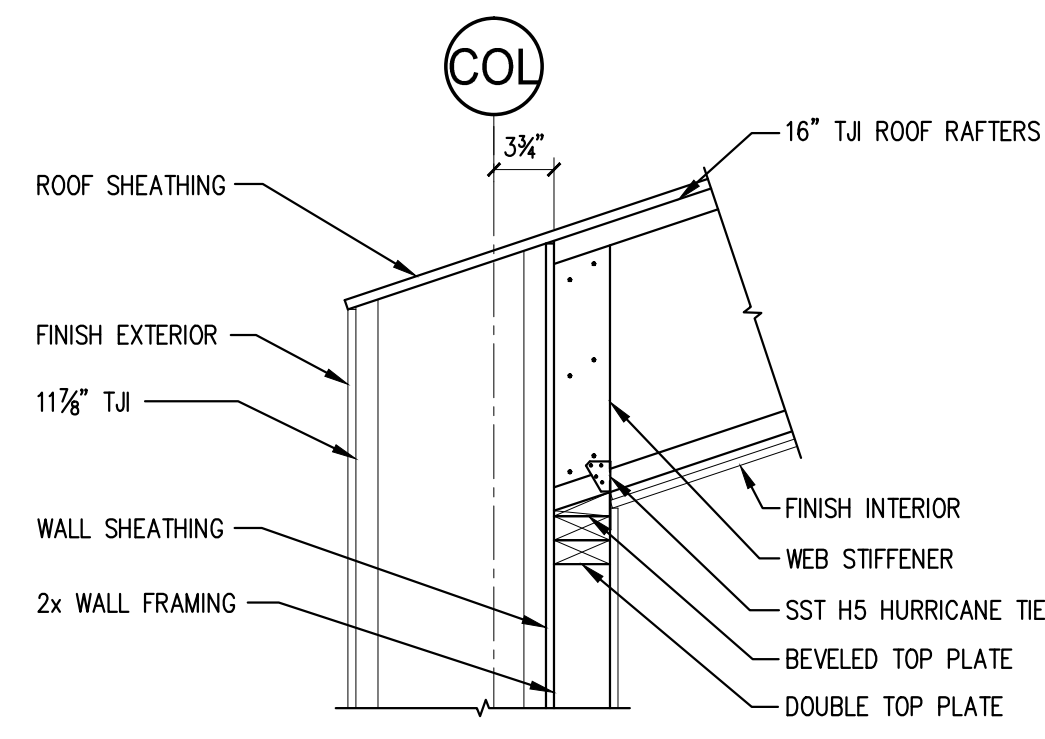
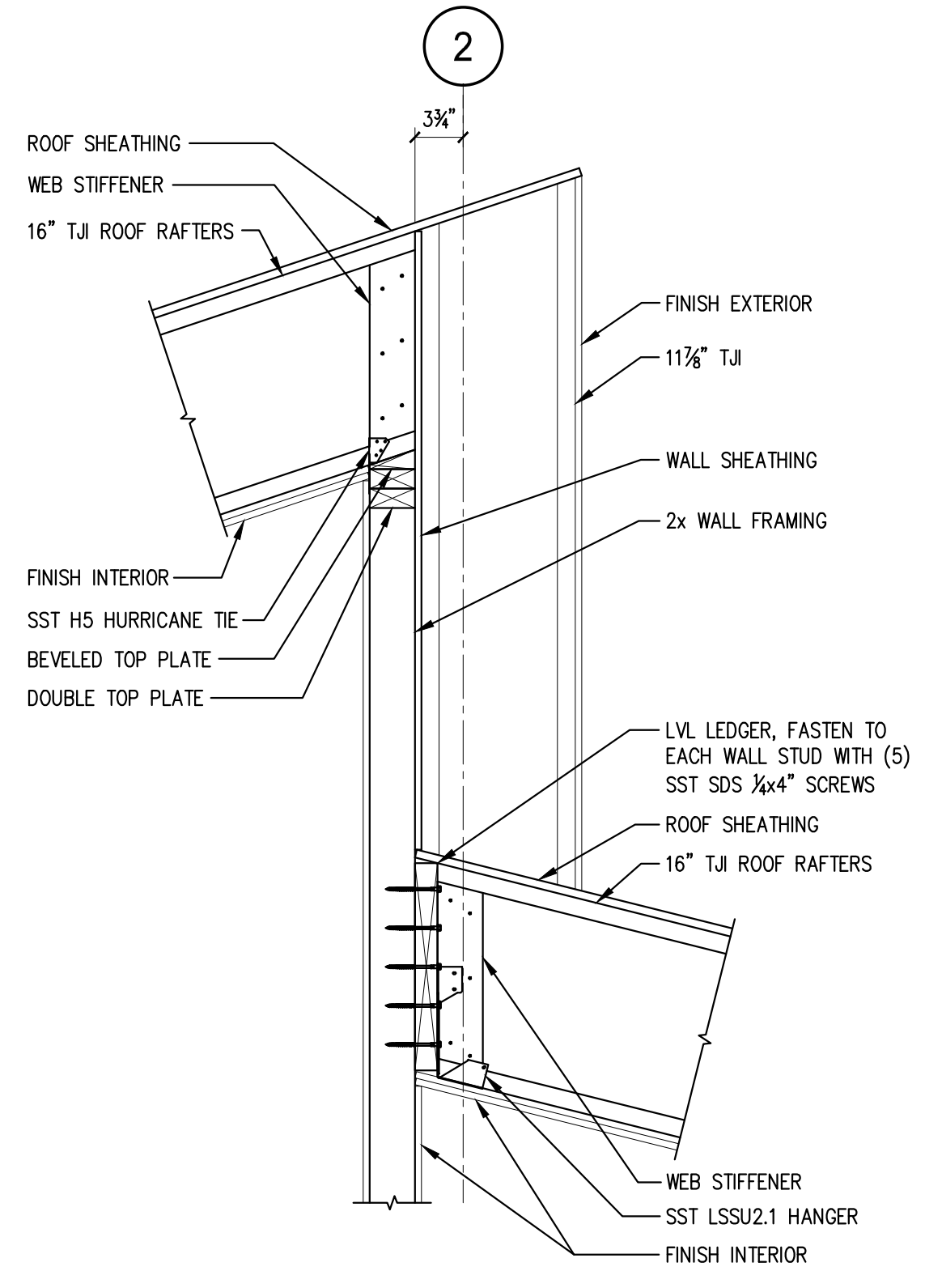


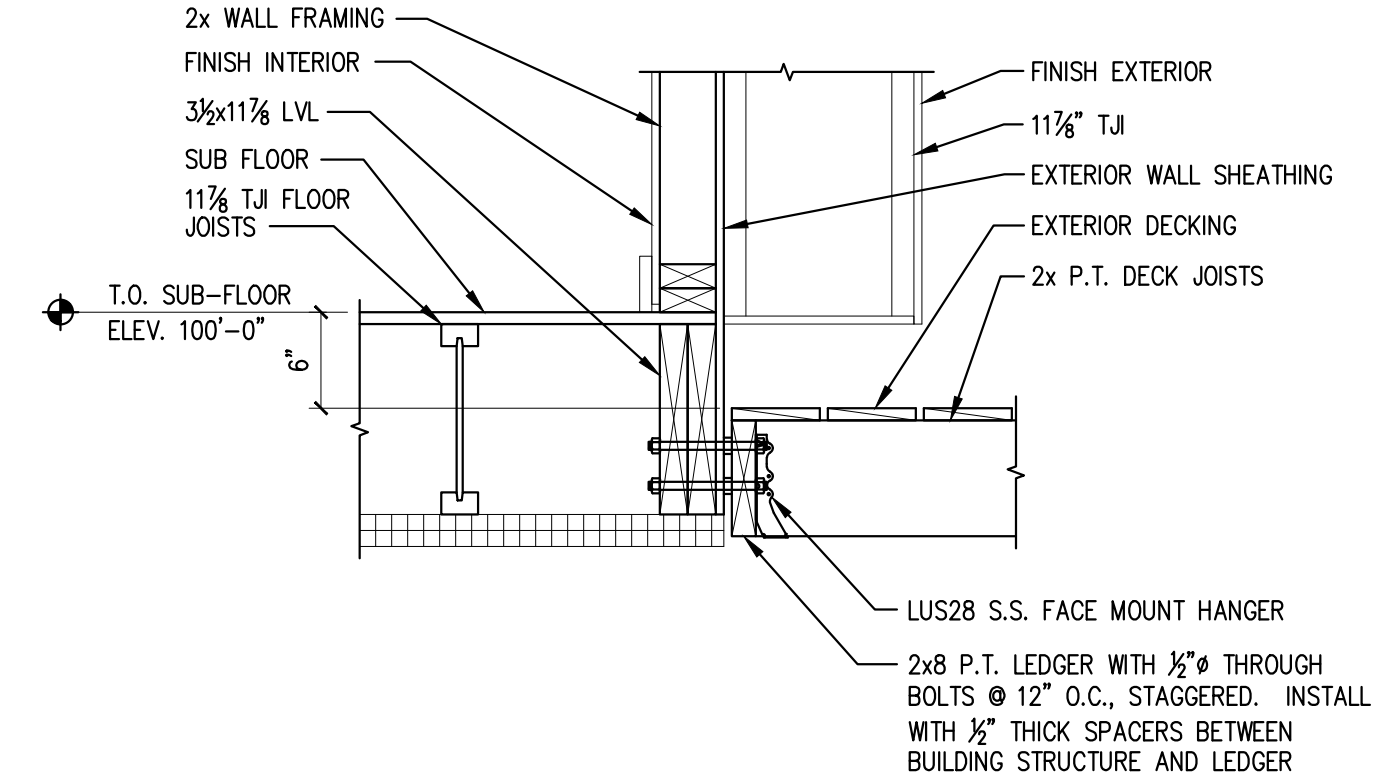
PRINTED: Apr 01, 2016



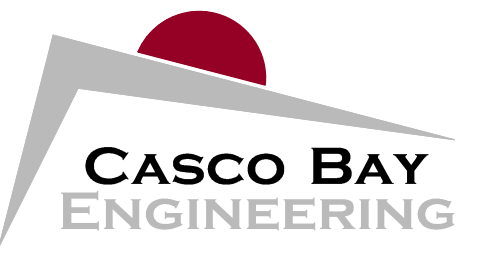
1 SECTION  
1" = 1'-0"



2 SECTION  
1" = 1'-0"



3 SECTION  
1" = 1'-0"



424 Fore Street  
Portland, ME 04101  
Phone 207.842.2800  
Fax 207.842.2828  
www.cascobayengineering.com

CLIENT:  
**KAPLAN THOMPSON ARCHITECTS**

102 EXCHANGE STREET, 2nd FLOOR  
PORTLAND, MAINE 04101

PRELIMINARY  
NOT FOR CONSTRUCTION

PORTLAND, MAINE

STENZEL - WALSH  
PEAKS ISLAND

NEW RESIDENCE

No.	DESCRIPTION	ISSUED FOR PERMIT	DR.	CHKD.	DATE
			BY	BY	
A	ISSUED FOR PERMIT		PR		4-1-16

SHEET TITLE:

FRAMING DETAILS

DESIGNED: PR  
DRAWN: PR  
DATE: 03-29-16  
PROJECT NUMBER: 16-010

S3.0