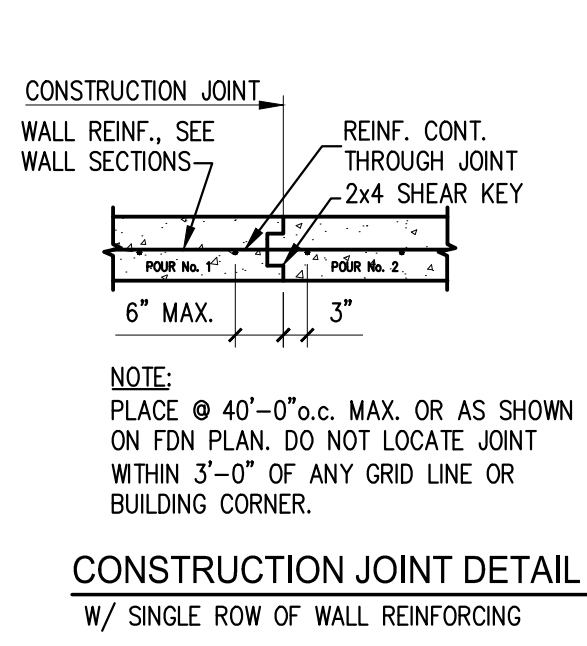
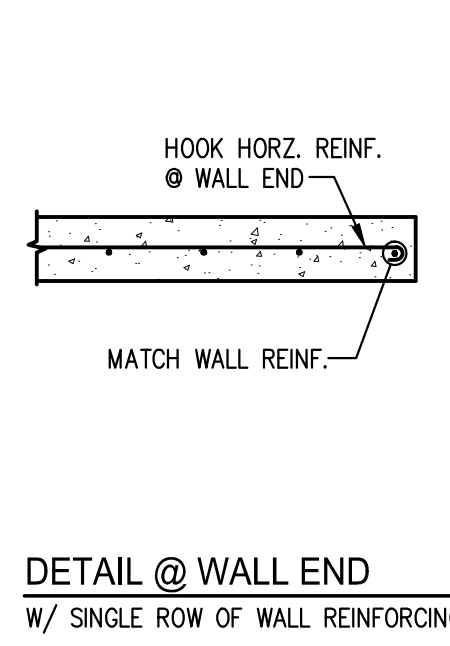
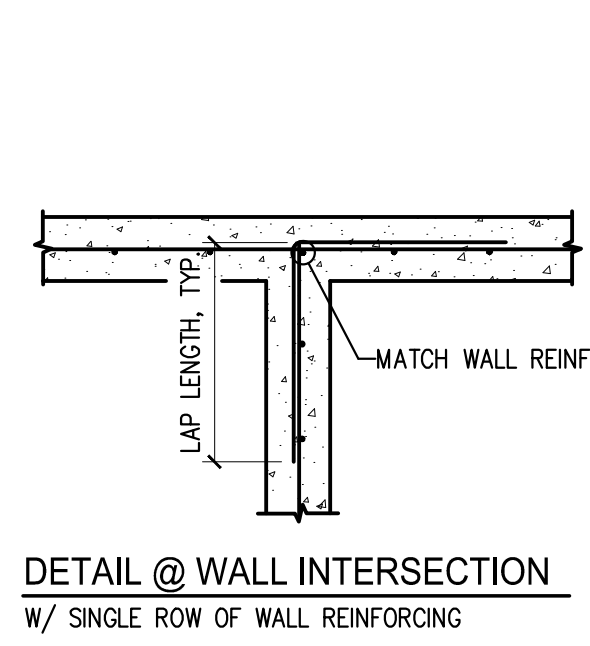
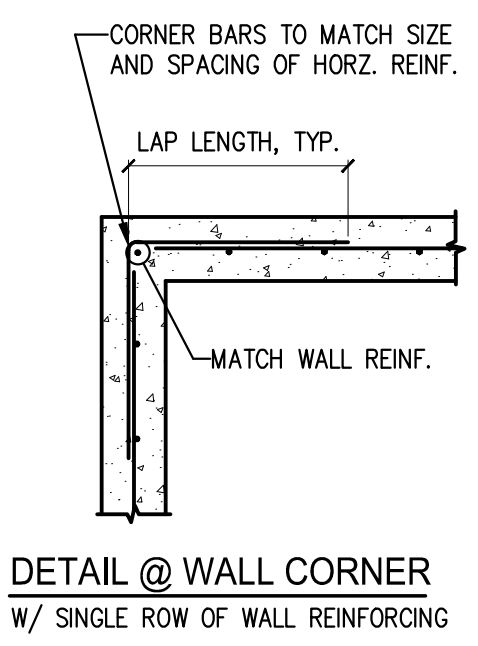
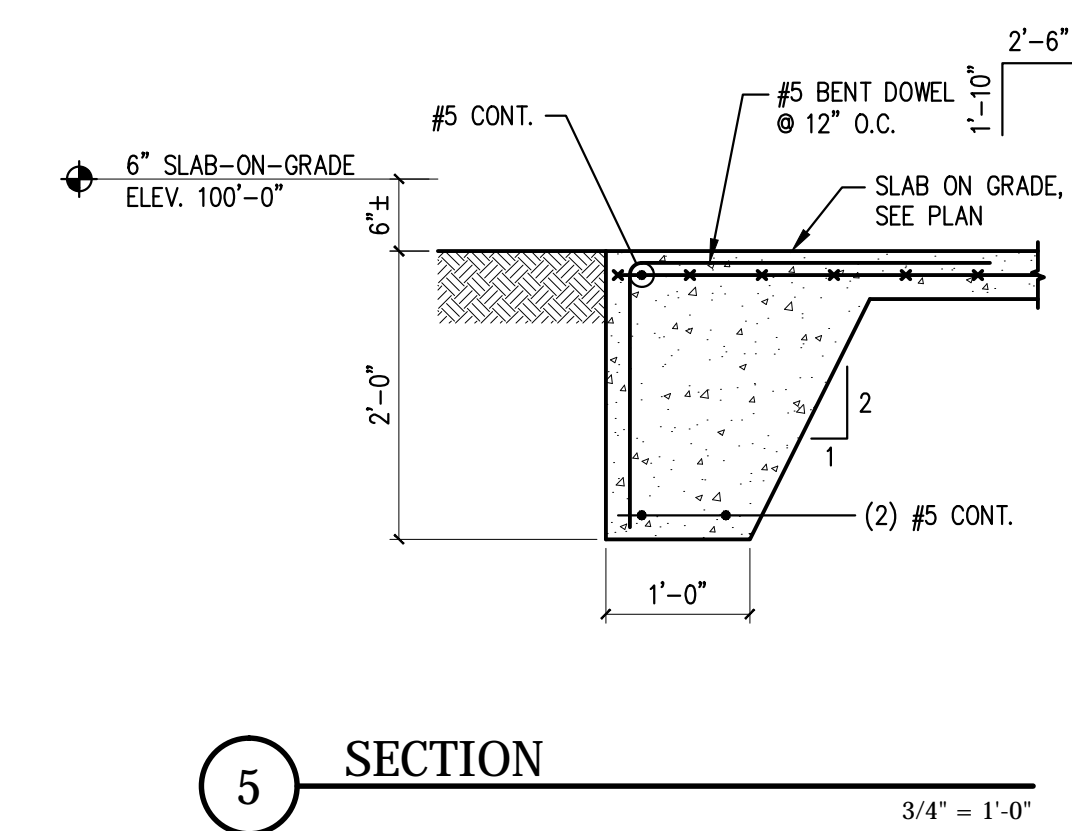
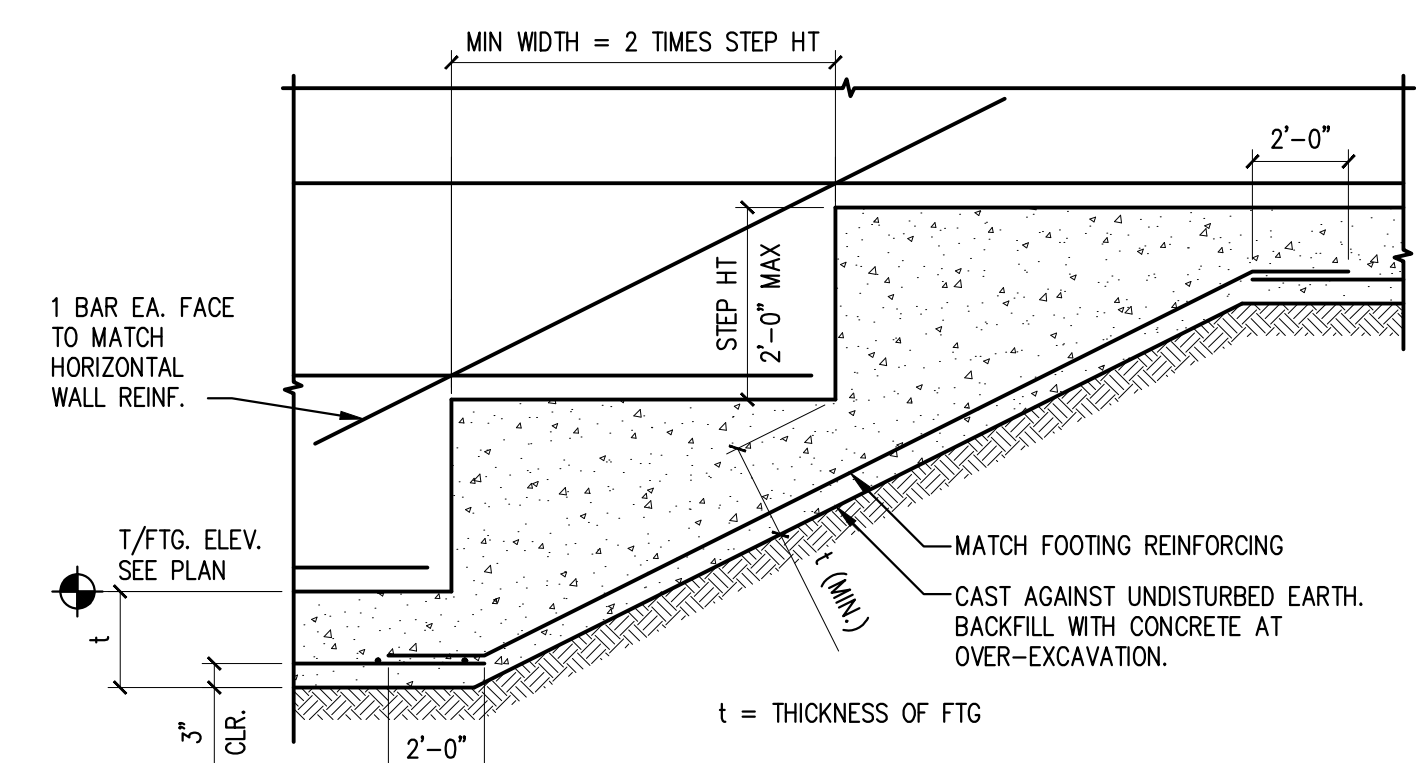
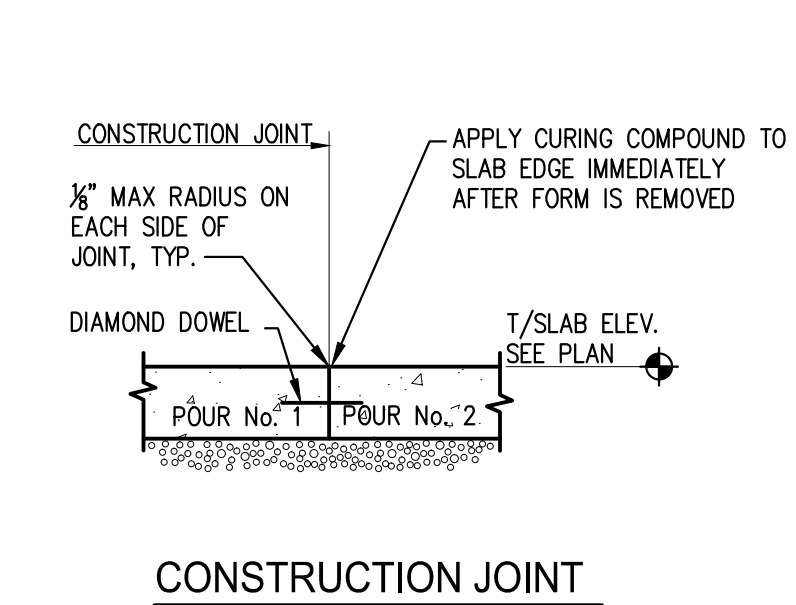
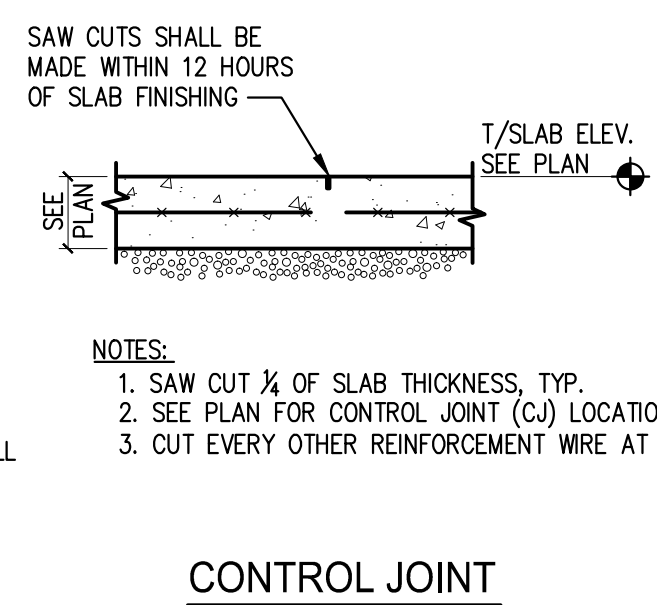
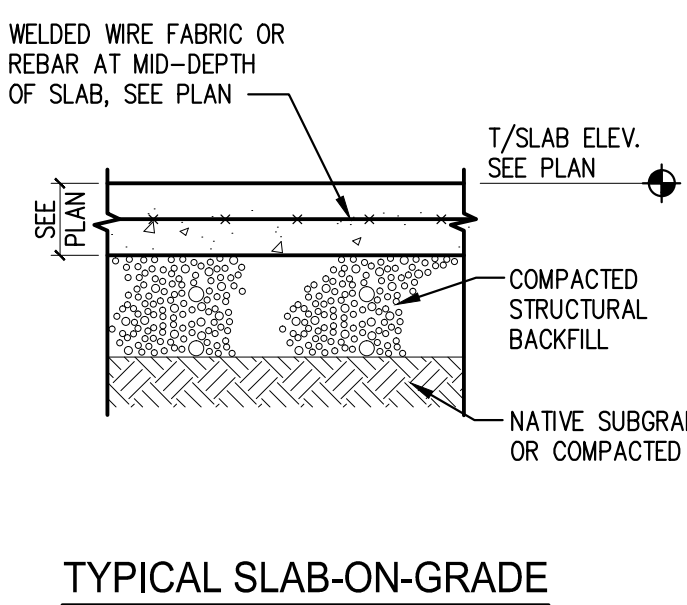
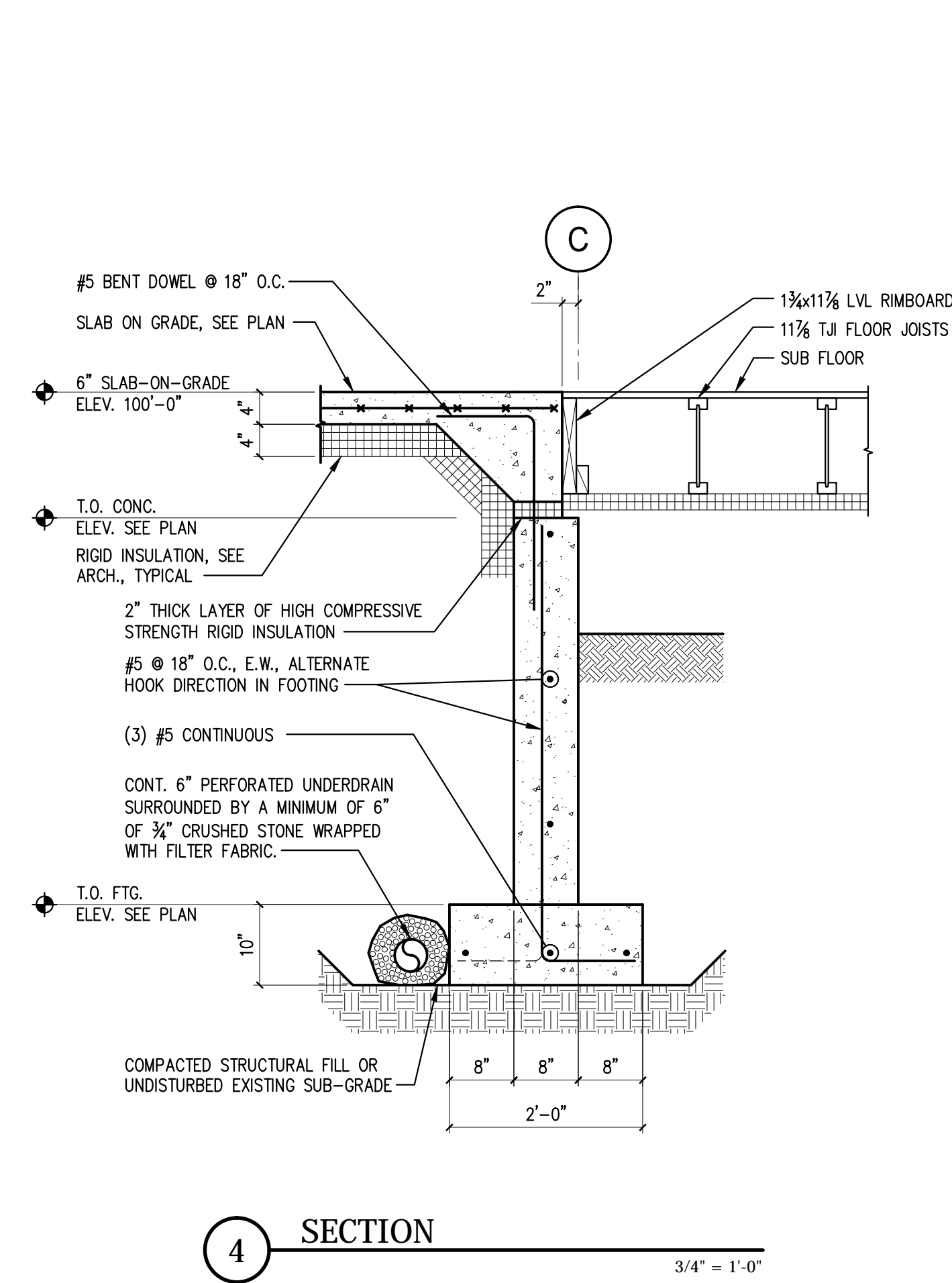
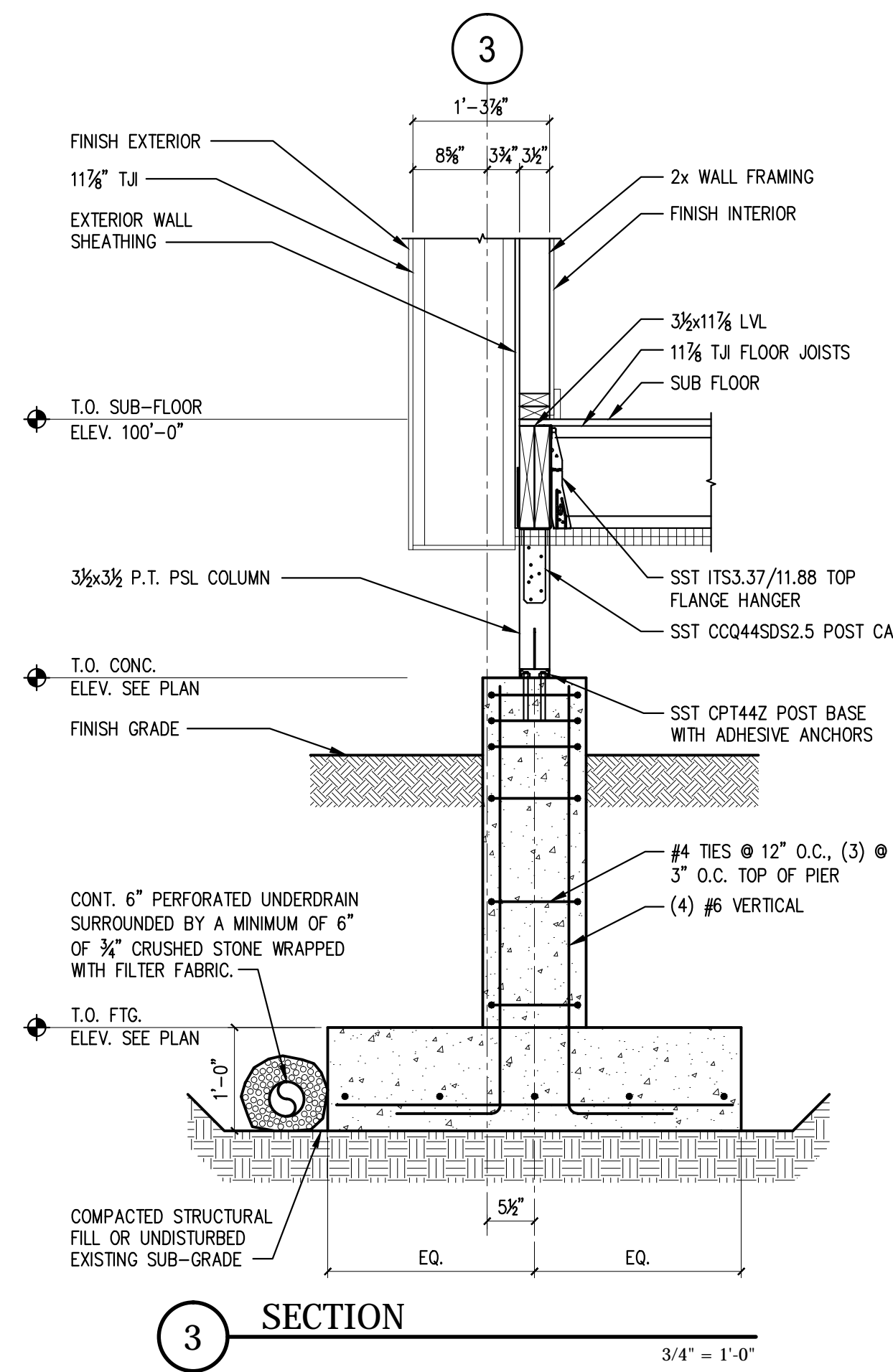
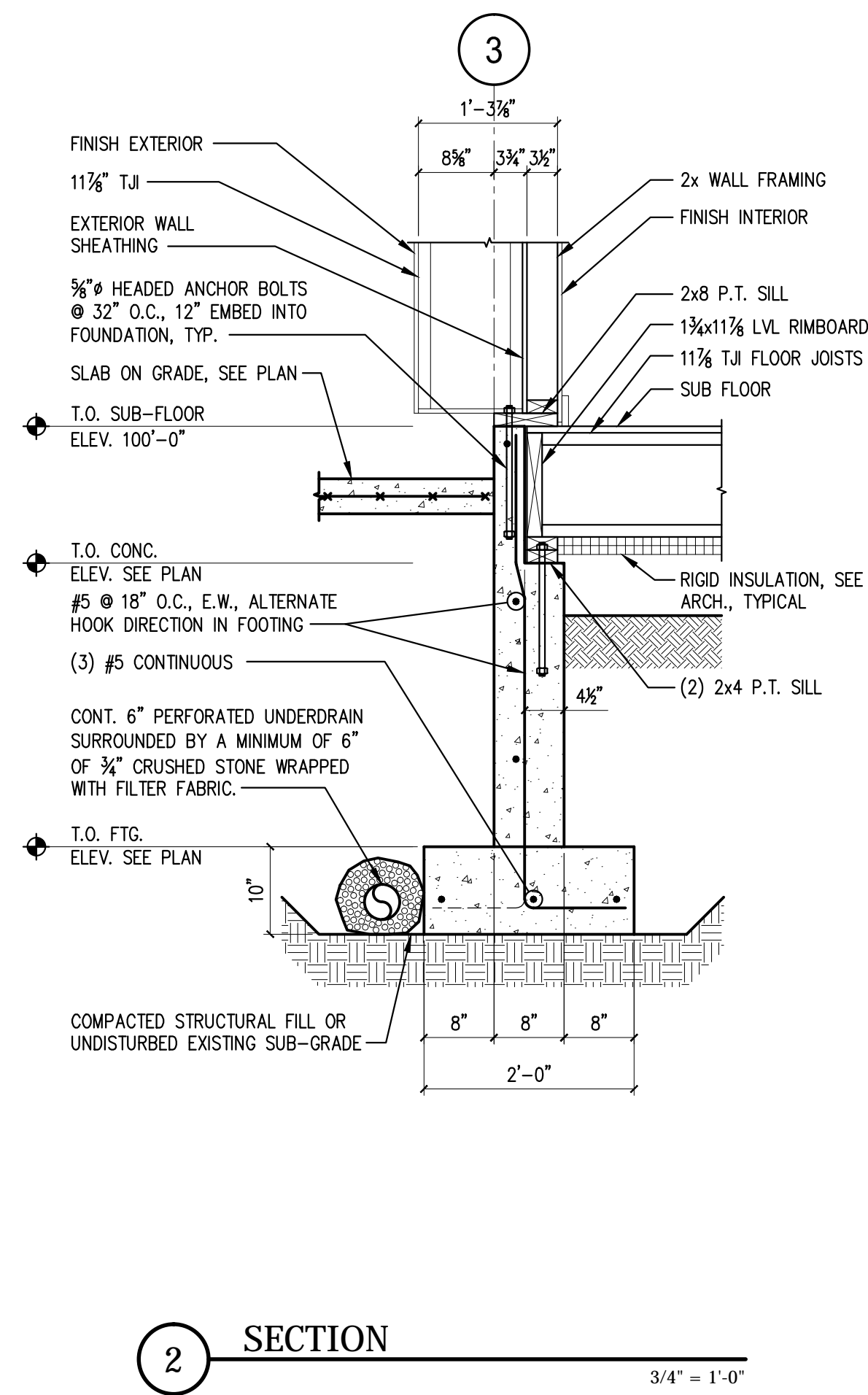
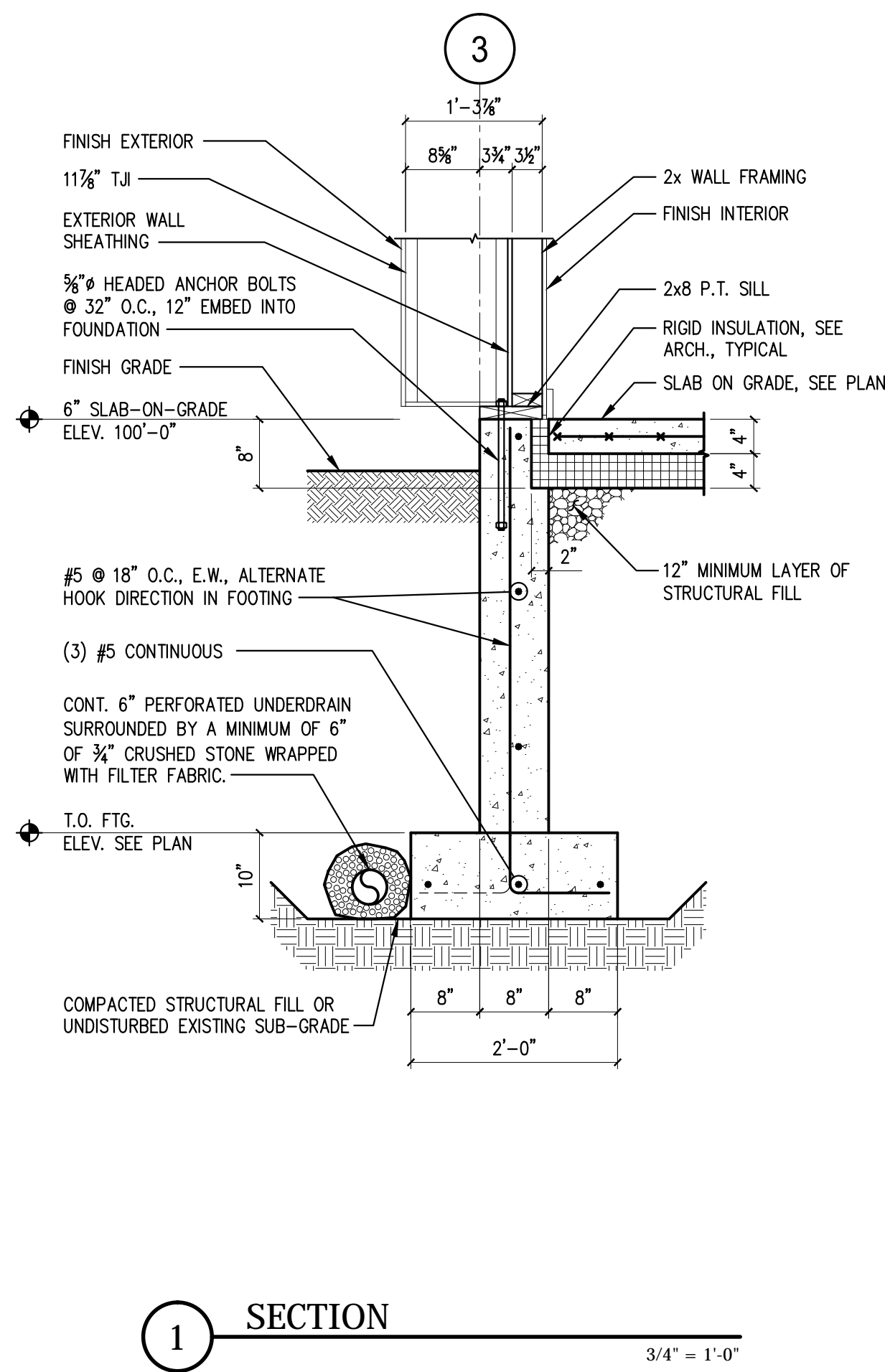
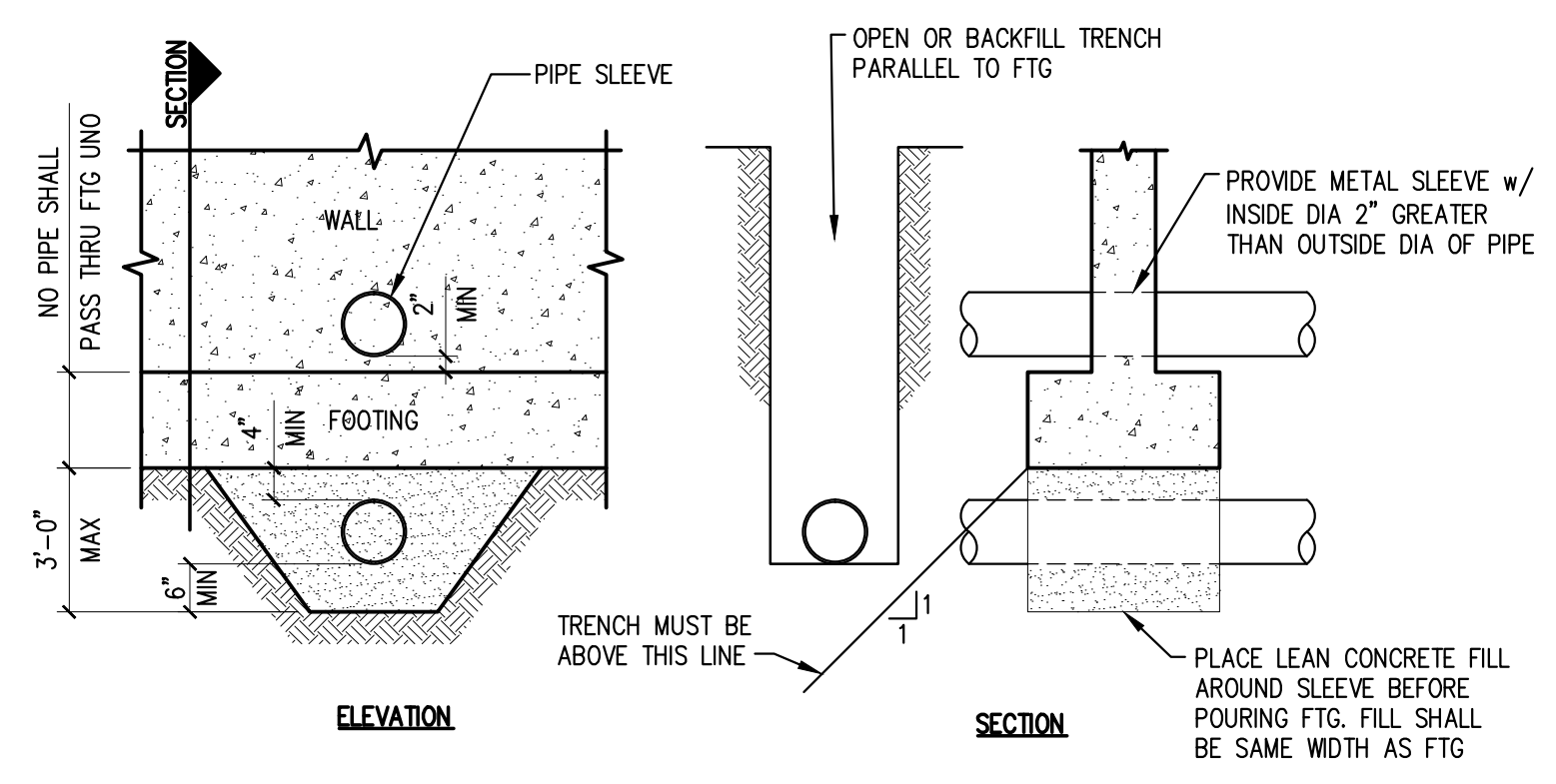


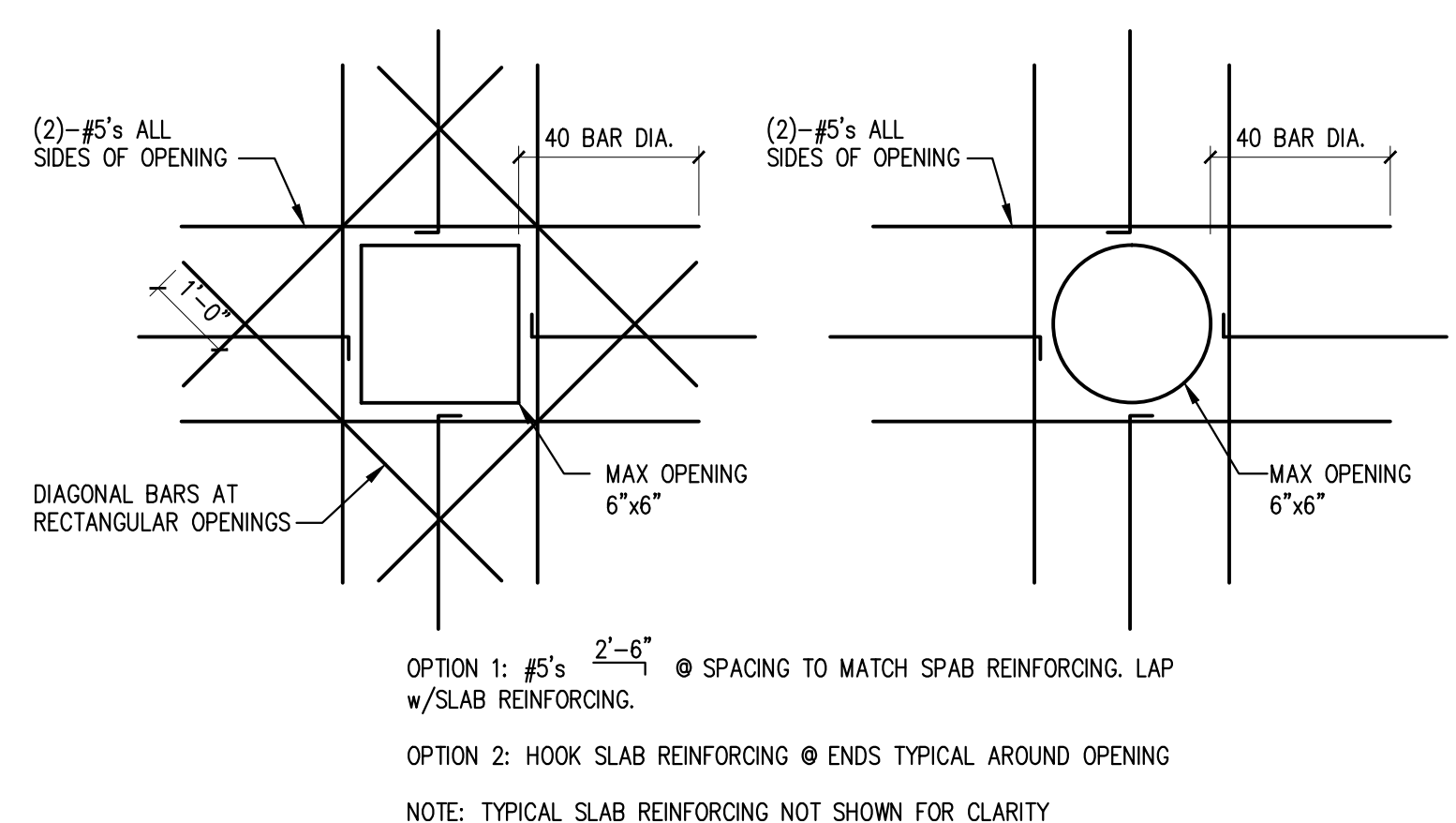
PRINTED: Apr 01, 2016



TYPICAL FOUNDATION WALL DETAILS
SCALE: NTS



TYPICAL THROUGH WALL WALL PENETRATION DETAIL
SCALE: NTS



TYPICAL OPENING IN WALL OR SLAB DETAIL
SCALE: NTS

PRELIMINARY
NOT FOR CONSTRUCTION

PORTLAND, MAINE

STENZEL - WALSH
PEAKS ISLAND

NEW RESIDENCE

ISSUED	DESCRIPTION	DR.	BY	DATE
	ISSUED FOR PERMIT			4-1-16

SHEET TITLE:

TYPICAL CONCRETE DETAILS AND SECTIONS

DESIGNED: PR
DRAWN: PR
DATE: 03-29-16
PROJECT NUMBER: 16-010