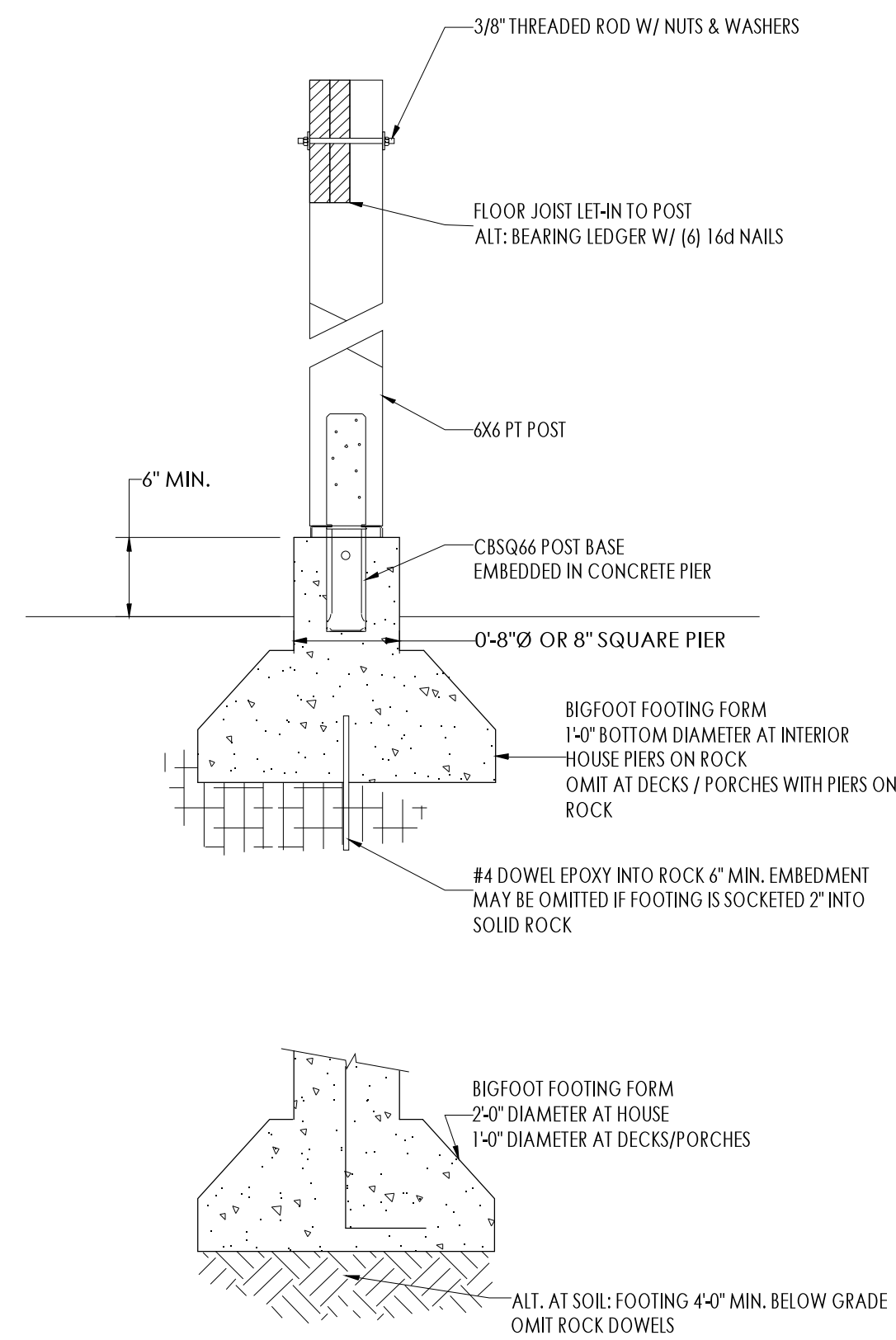
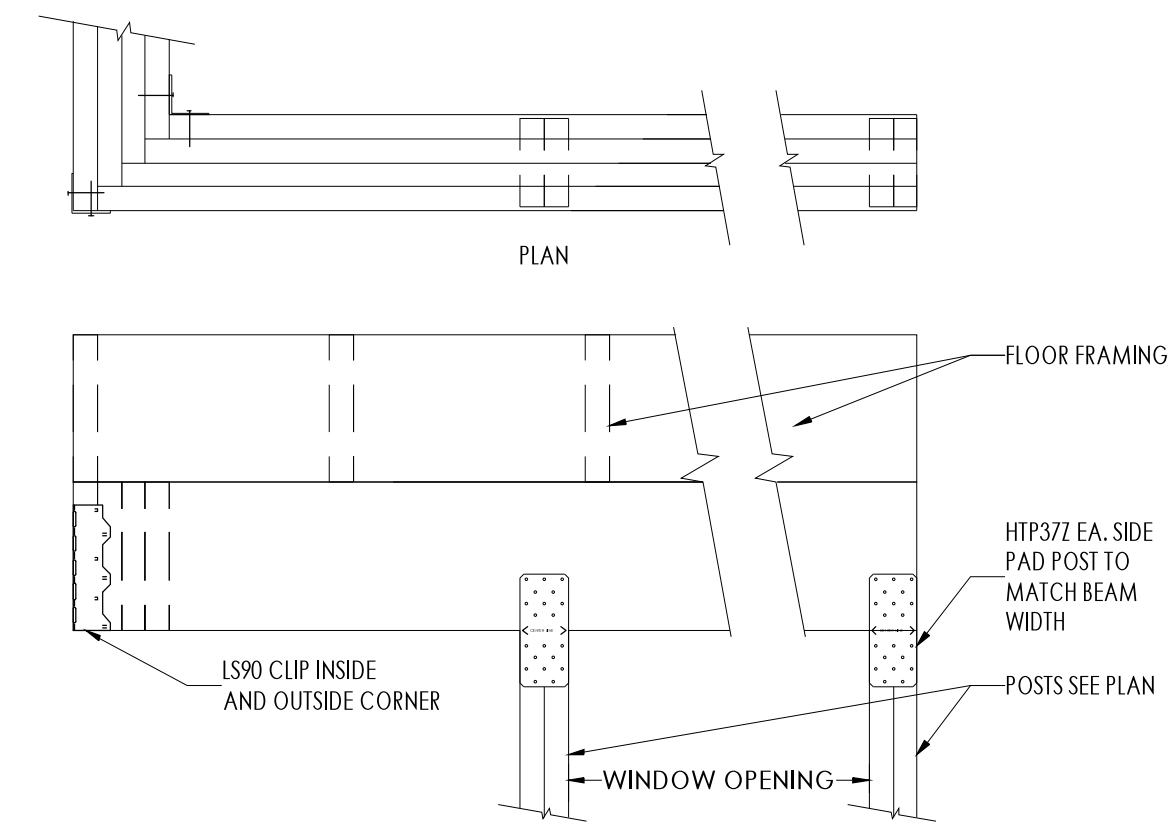


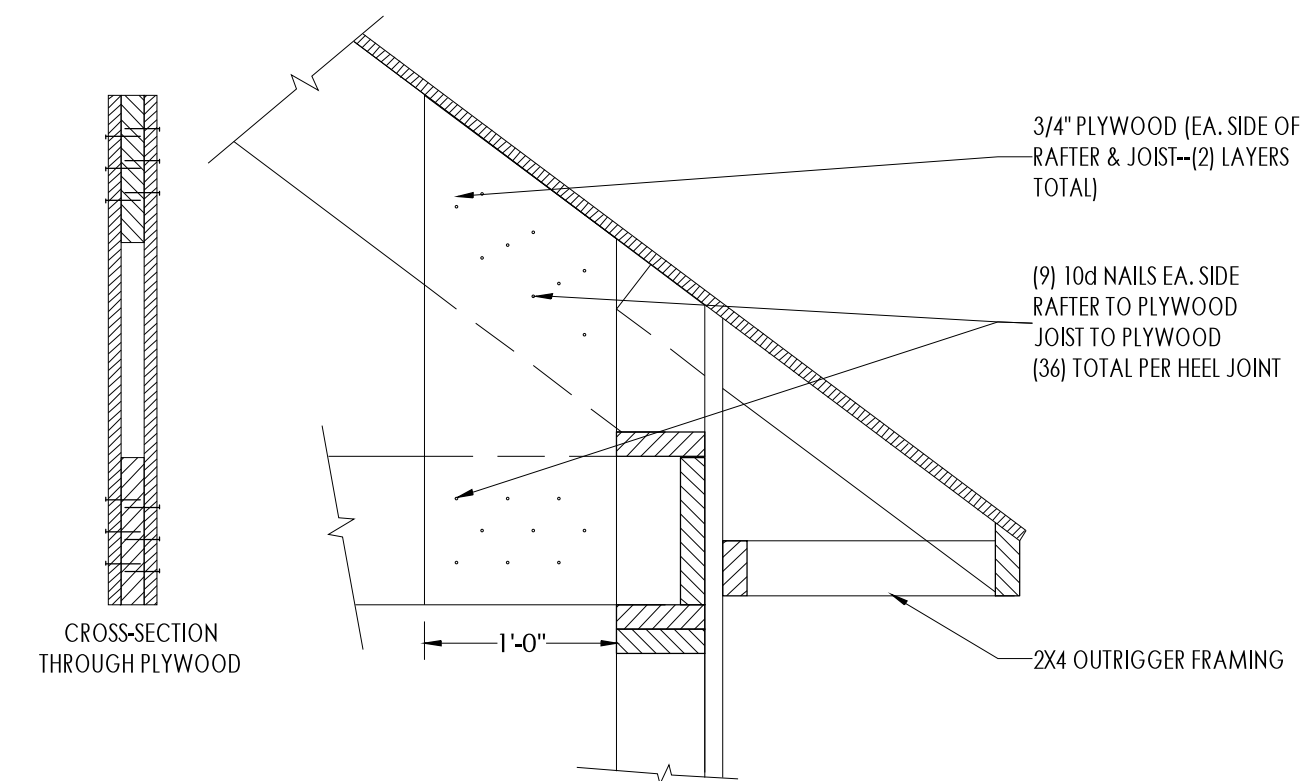
**1 DETAIL**  
SCALE: 1" = 1'-0"



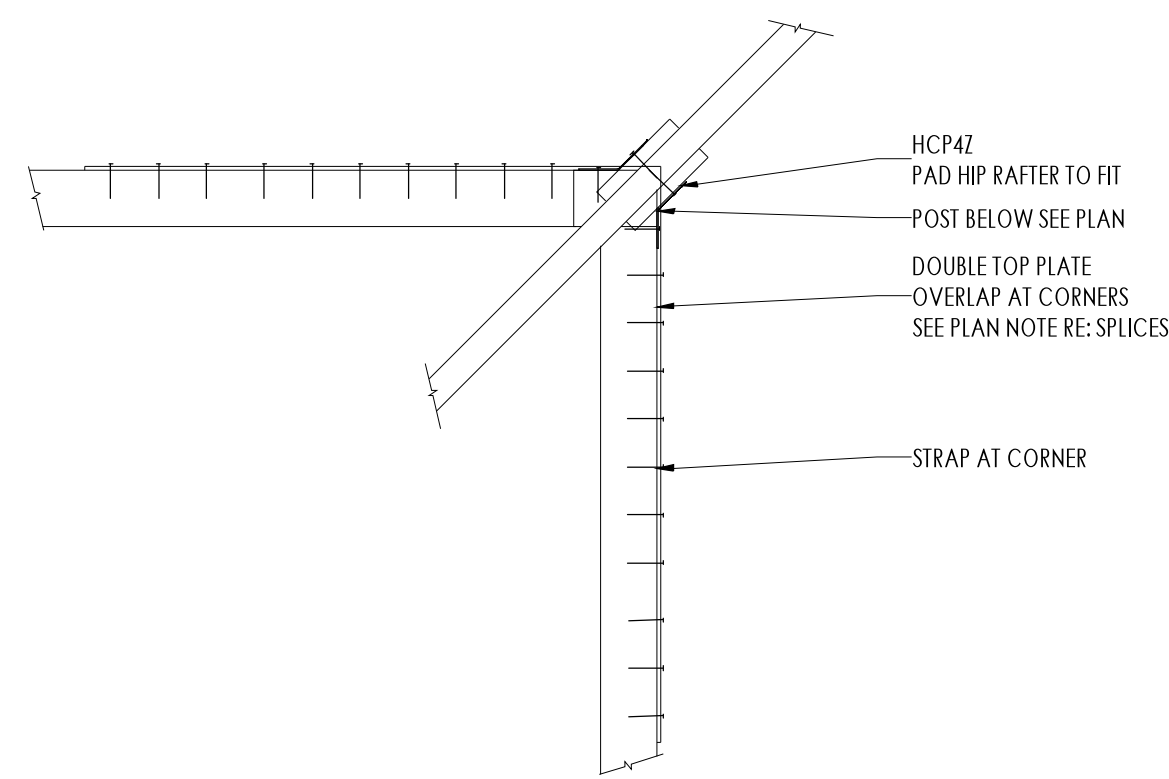
NOTE: SEE DETAIL 1A FOR INFO NOT SHOWN.  
**2 DETAIL**  
SCALE: 1" = 1'-0"



**3 DETAIL**  
SCALE: 1" = 1'-0"



**4 DETAIL**  
SCALE: 1" = 1'-0"



**5 DETAIL**  
SCALE: 1" = 1'-0"

|   |   |  |  |
|---|---|--|--|
| SILL PLATE TO FOUNDATION                        | 1/2" ANCHOR BOLT @ 36" O.C. W/ 3" PLATE WASHER; 9" MIN. EMBEDMENT   | BAND / RIM JOIST TO JOIST                                      | 3- 16d (ENDNAILED)   |
| ROOF SHEATHING TO RAFTERS                       | 8d @ 6" O.C. EDGE / 12" O.C. FIELD (TYPICAL PANELS)<br>8d @ 6" O.C. EDGE / 6" O.C. FIELD (PERIMETER PANELS) | RIM JOIST TO SILL / TOP PLATE                                  | 2- 16d PER FOOT  |
| WALL SHEATHING                                  | 8d @ 6" O.C. EDGE / 12" O.C. FIELD  | TOP PLATE TO TOP PLATE   | 2- 16d PER FOOT  |
| FLOOR SHEATHING                                 | 1/2" RING OR SPIRAL NAILS @ 6" O.C. EDGE / 12" O.C. FIELD   | TOP PLATES AT INTERSECTION                                     | 4- 16d EACH SIDE   |
| POST BASES ON CONCRETE                          | SEE PLAN  | STUD TO STUD   | 1- 16d @ 12" O.C.  |
| POST CAPS                                       | SIMPSON BC OR LC (MATCH POST SIZE)  | HEADER TO HEADER   | 16d @ 16" O.C. ALONG EDGES   |
| SLOPED/SKEWED RAFTER HANGERS AT RIDGE/HIP BEAMS | SIMPSON LSU   | TOP OR BOTTOM PLATE TO STUD                                    | 2- 16d   |
| JOIST HANGERS                                   | SIMPSON LUS (MATCH JOIST SIZE)  | BOTTOM PLATE TO FLOOR JOIST, RIM JOIST, END JOIST, OR BLOCKING | 2- 16d PER FOOT  |
| JOIST BEARING ON SILL, TOP PLATE, OR BEAM       | 4- 8d (TOENAILED)   | RAFTER TO TOP PLATE  | RAFTER SPACING UP TO 16": 2- 8d (TOENAILED)<br>RAFTER SPACING 24": 3- 8d (TOENAILED)           |
| BRIDGING / BLOCKING TO JOIST                    | 2- 8d (TOENAILED)   | CEILING JOIST TO TOP PLATE                                     | 2- 8d (TOENAILED)  |
| BLOCKING TO SILL / TOP PLATE                    | 3- 16d (TOENAILED)  | BLOCKING TO RAFTER   | 2- 8d EACH END   |
| LEDGER STRIP TO BEAM                            | 3- 16d (FACENAILED, PER JOIST)  | BAND JOIST TO RAFTER   | 2- 16d EACH END  |
| JOIST ON LEDGER TO BEAM                         | 3- 8d (TOENAILED)   | RAFTER-TO-RAFTER TENSION STRAP OVER RIDGE BEAM (SLOPE > 6:12)  | SIMPSON LSTA-9 OR EQUAL<br>ALT: 1x COLLAR TIE IN UPPER 1/3 OF RAFTER SPAN WITH 4- 10d EA. SIDE |

**FASTENER SCHEDULE**

ROB AND REBECCA BUNTON  
TOLMAN HEIGHTS COTTAGE

LYNDON AVENUE  
PEAKS ISLAND, MAINE 04108

JAMES W. GREENWELL, AIA, PLLC  
ARCHITECT

130 ISLAND AVENUE  
PEAKS ISLAND, ME 04108

VOICE 207-766-2509  
CELL 202-607-8976

MAINE REGISTERED ARCHITECT

ANDREW M. JACKSON, P.E.  
JACKSON ENGINEERING  
11 LUTHER STREET  
PEAKS ISLAND, ME 04108  
207-200-6106  
JXENGINEERING.COM

ISSUE DATE

PERMITS 9/4/2013

DATE: SEPTEMBER 4, 2013

SCALE: 1/4" = 1'-0"

**DETAILS**

**S3.0**

professional seal

consultants