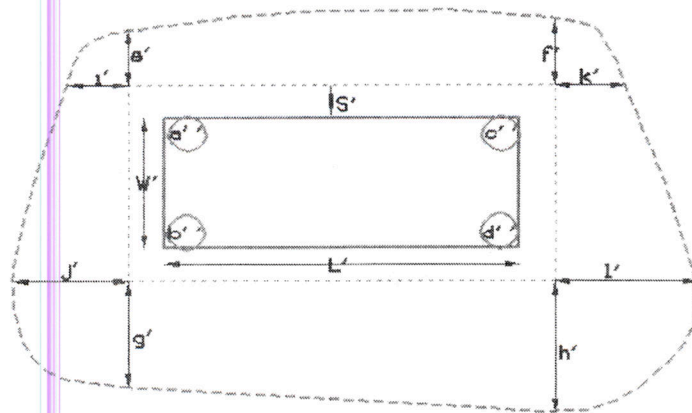


## Fill Estimation Worksheet

Albert Frick Associates Inc.  
95A County Road  
Gorham, Me 04038  
839-5563 FAX - 839-5564  
E-Mail - Albert@albertfrick.Com  
www.albertfrick.com

Town: Portland (Peaks Island)  
Project owner/applicant: Robert Bunton  
105 Lyndon Avenue  
Portland (Peaks Island)

This worksheet is being provided as a complimentary tool to assist in estimating the **approximate** amount of fill required to construct the proposed system. This worksheet does not substitute for a personal visit to the site for your own estimate. These calculations are intended to serve as a check to your work. Site features beyond the model (terrain) can vary to affect model projections.



Length (L)	28.00	feet
Width (W)	15	feet
Shoulder (S)	5	feet
<i>Depth of fill:</i>		
upper left (a)	20	inches
upper right (c)	25	inches
lower left (b)	23	inches
lower right (d)	37	inches
<i>Fill Extension:</i>		
left up (e)	5	feet
right up (f)	6	feet
left down (g)	15	feet
right down (h)	19	feet
upper left (i)	5	feet
lower left (j)	15	feet
upper right (k)	6	feet
lower right (l)	19	feet
Cost of fill per yard=	\$	0.00

Body	77	cubic yards
Fill Down	30	cubic yards
Fill Up	8	cubic yards
Fill left	9	cubic yards
Fill right	15	cubic yards
Fill upleft	1	cubic yards
Fill upright	1	cubic yards
Fill downleft	5	cubic yards
Fill downright	11	cubic yards

<b>SubTotal=</b>	<b>157</b>	<b>cubic yards</b>
<b>Shrinkage %=</b>	<b>15</b>	<b>%</b>
<b>Total Backfill</b>	<b>181</b>	<b>cubic yards</b>

**Adjusted cost of Total Backfill=** \$ -