

**KEISER**  
 INDUSTRIES INC.  
 P.O. BOX 9088 RTE. 121  
 OXFORD, ME 04278  
 TELE: (207) 539-8883  
 FAX: (207) 539-4446

DWG NO.  
 KIM2676

LAYER NAME:  
 ELEVS

DATE:  
 9-22-03

ELEVATIONS

DRAWN BY:  
 JT

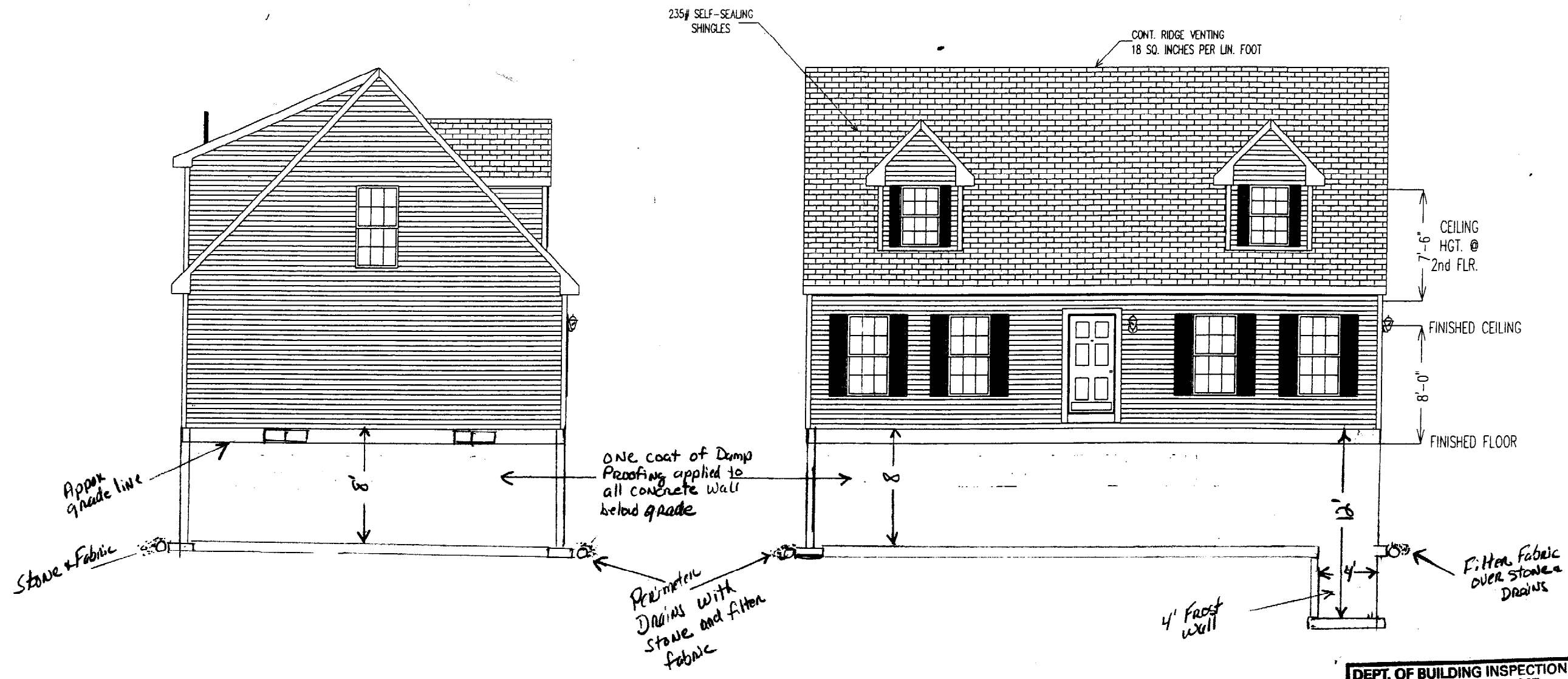
FOR HELP CALL:  
 ext. 152

REVISIONS

DATE	ITEM

SCALE:  
 1/8" = 1'-0"

SHEET NO.  
 3



DEPT. OF BUILDING INSPECTION  
 CITY OF PORTLAND, ME  
**NOV - 3 2003**  
 RECEIVE

Dick Grant  
 30 Central Ave.  
 Peak's Island

**KEISER INDUSTRIES INC.**  
 P.O. BOX 9080 Rte. 121  
 ORONO, ME 04270  
 TEL: (207) 539-8865  
 FAX: (207) 539-4445

DWG NO. KIM2676  
 LAYER NAME: ELEVATIONS  
 DATE: 9-22-03

ELEVATIONS

DRAWN BY: JT

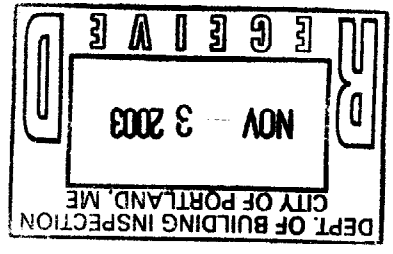
FOR HELP CALL: ext. 152

REVISIONS

DATE ITEM

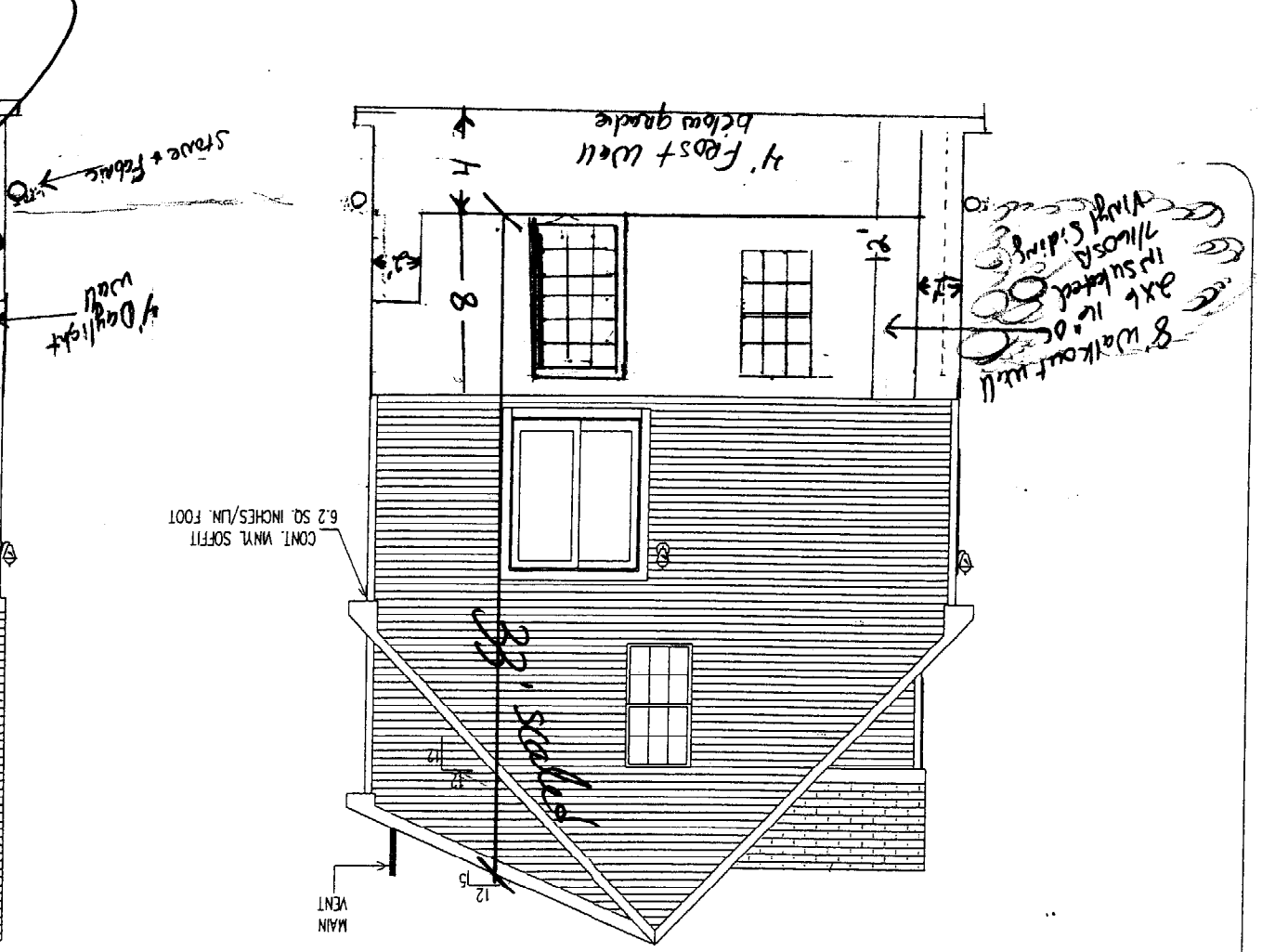
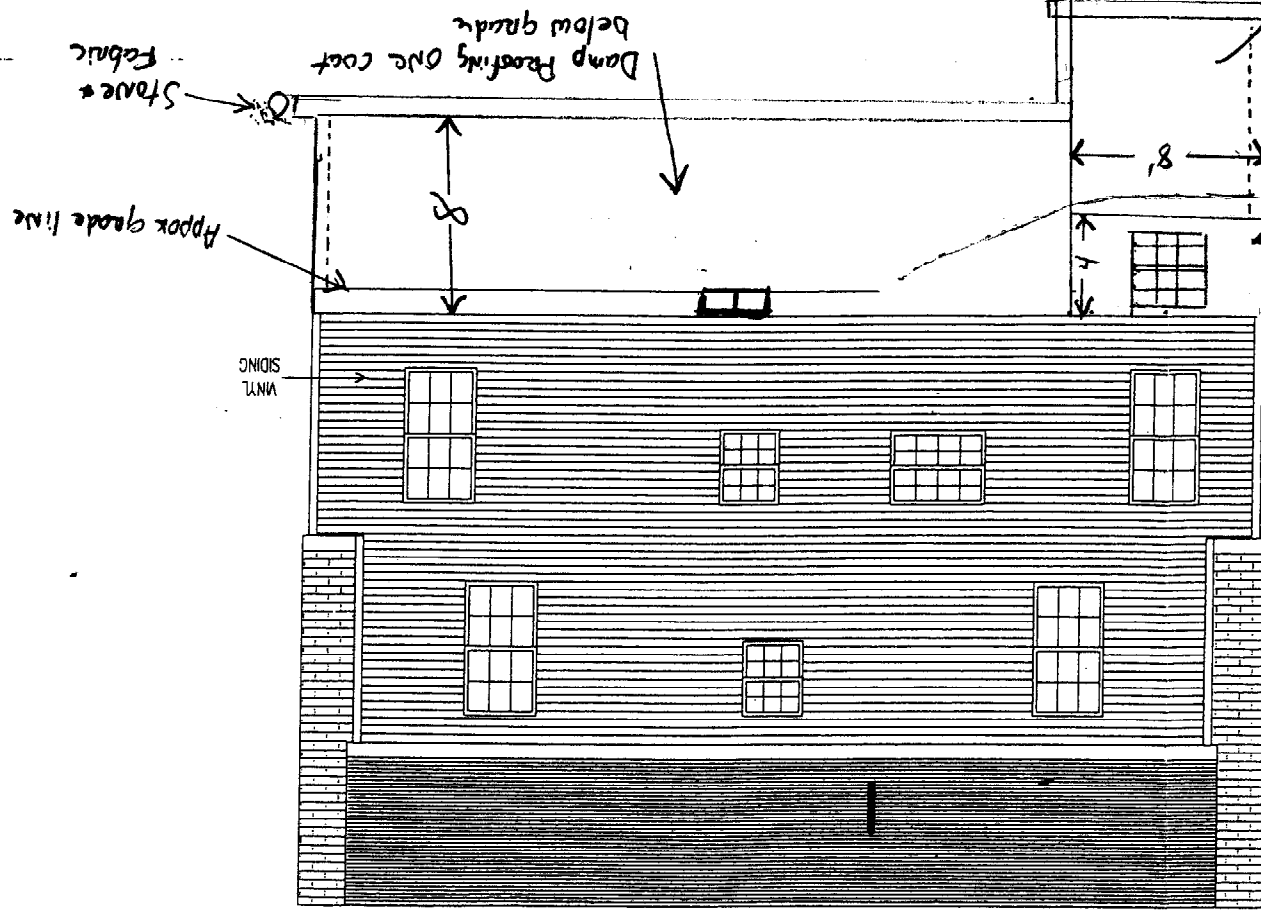
SCALE: 1/8"=1'-0"

SHEET NO. 3



Dick Grant  
 30 Central Ave.  
 Peak's Island

Daylight Basement doesn't exceed 1/2 it height above the average grade Therefore this is a 2 story structure

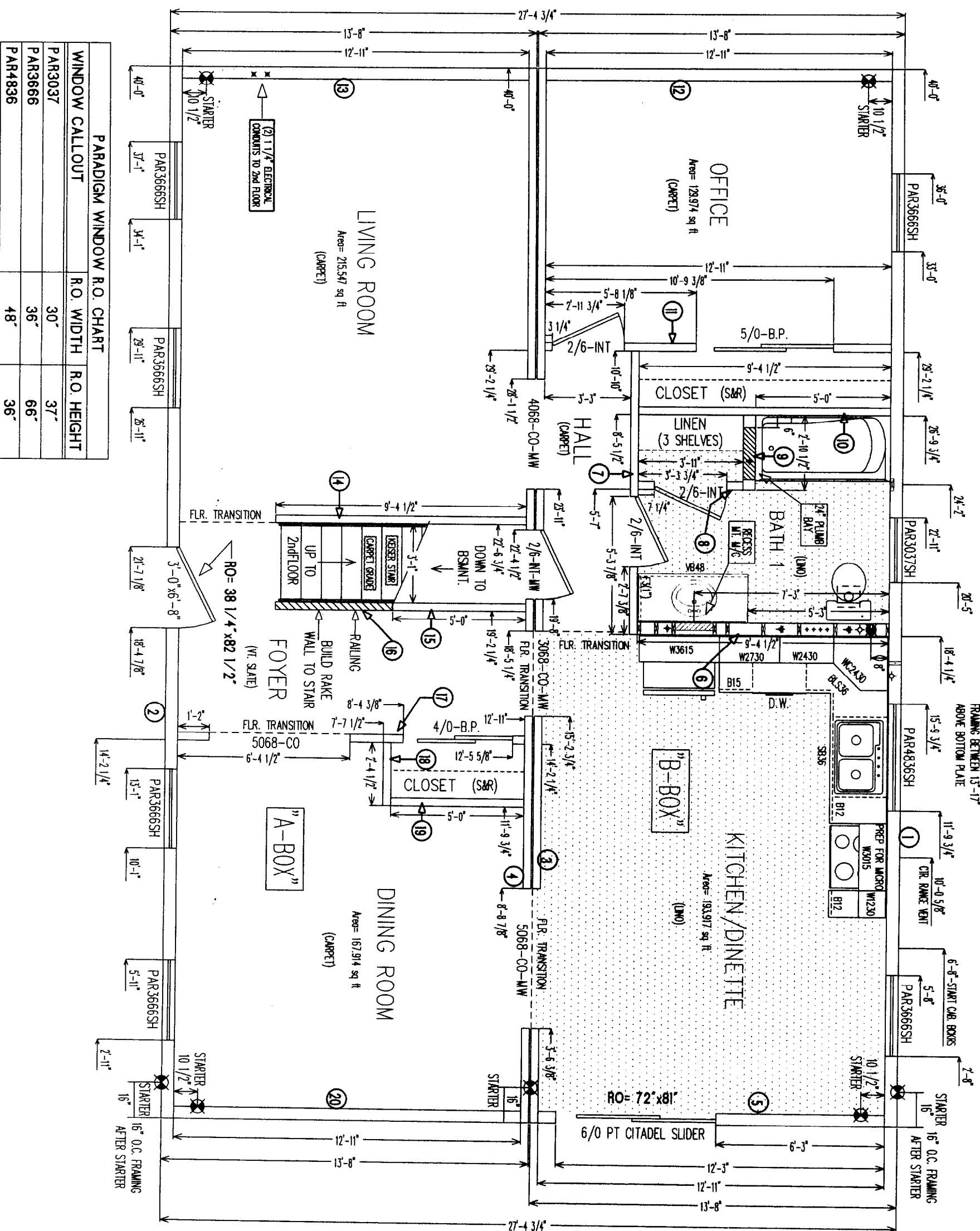


27'-4 3/4" x 40'-0" REV. FREEPORT CAPE  
 (SEE ORDER/CONTRACT FOR SPECIFICS)

**\*\*NOTE SPECIAL 8' STARTER @ WALL #16\*\***

MOST WALLS ARE 96" TALL	
1) 40'-0"	2x6 EXT
2) 40'-0"	2x6 EXT
3) 40'-0"	2x4 MAITE
4) 40'-0"	2x4 MAITE
5) 12'-11"	2x6 EXT
6) 9'-4 1/2"	2x6 PLUMB
7) 10'-10"	2x4 INT
8) 3'-11"	2x4 INT
9) 2'-10 1/2"	2x6 PLUMB
10) 9'-4 1/2"	2x4 INT
11) 12'-11"	2x4 INT
12) 12'-11"	2x6 EXT
13) 12'-11"	2x6 EXT
14) 9'-4 1/2"	2x4 INT
15) 5'-0"	2x4 INT
16) BUILD TO STAIR	
17) 12'-11"	2x4 INT
18) 2'-4 1/2"	2x4 INT
19) 5'-0"	2x4 INT
20) 12'-11"	2x6 EXT

ATTN: WALL BUILDERS - BE SURE TO ADD ALL NECESSARY BACKERS WHEN BUILDING WALLS



PARADIGM WINDOW R.O. CHART		
WINDOW CALLOUT	R.O. WIDTH	R.O. HEIGHT
PAR3037	30"	37"
PAR3666	36"	66"
PAR4836	48"	36"

NO NAILS IN WINDOW FRAMING BETWEEN 15"-17" ABOVE BOTTOM PLATE

**REISER INDUSTRIES INC.**  
 P.O. BOX 9000  
 OKTORD, NE 68420  
 TEL: (207) 539-8885  
 FAX: (207) 539-4448

DWG NO. KIM 2676

GOTO VIEW: 1PRODM

DATE: 10-13-03

PRODUCTION  
 1st FLOOR PLAN

DRAWN BY: SHERRY

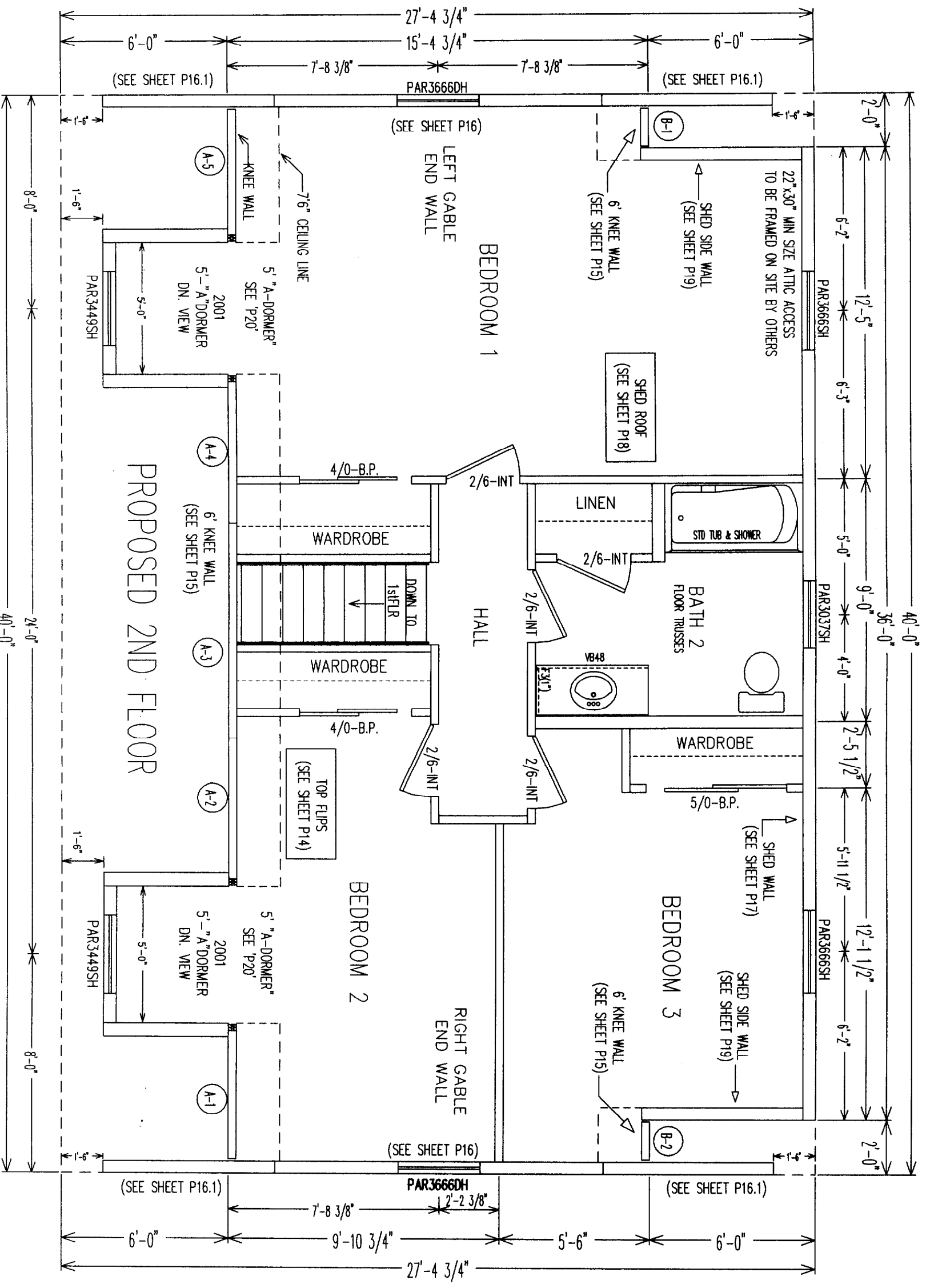
FOR HELP CALL: ext. 102

REVISIONS

DATE ITEM

SCALE: 1/4" = 1'-0"

SHEET NO. P2



**KEISER**  
 INDUSTRIES INC.  
 P.O. BOX 8000 RTE. 121  
 OXFORD, ME 04270  
 TEL: (207) 539-8983  
 FAX: (207) 539-4446

DWG NO.  
KIM2676

LAYER NAME:  
2NDFLR

DATE:  
10-13-03

2nd FLOOR  
SUBMITTAL PLAN

DRAWN BY:  
SHERRY

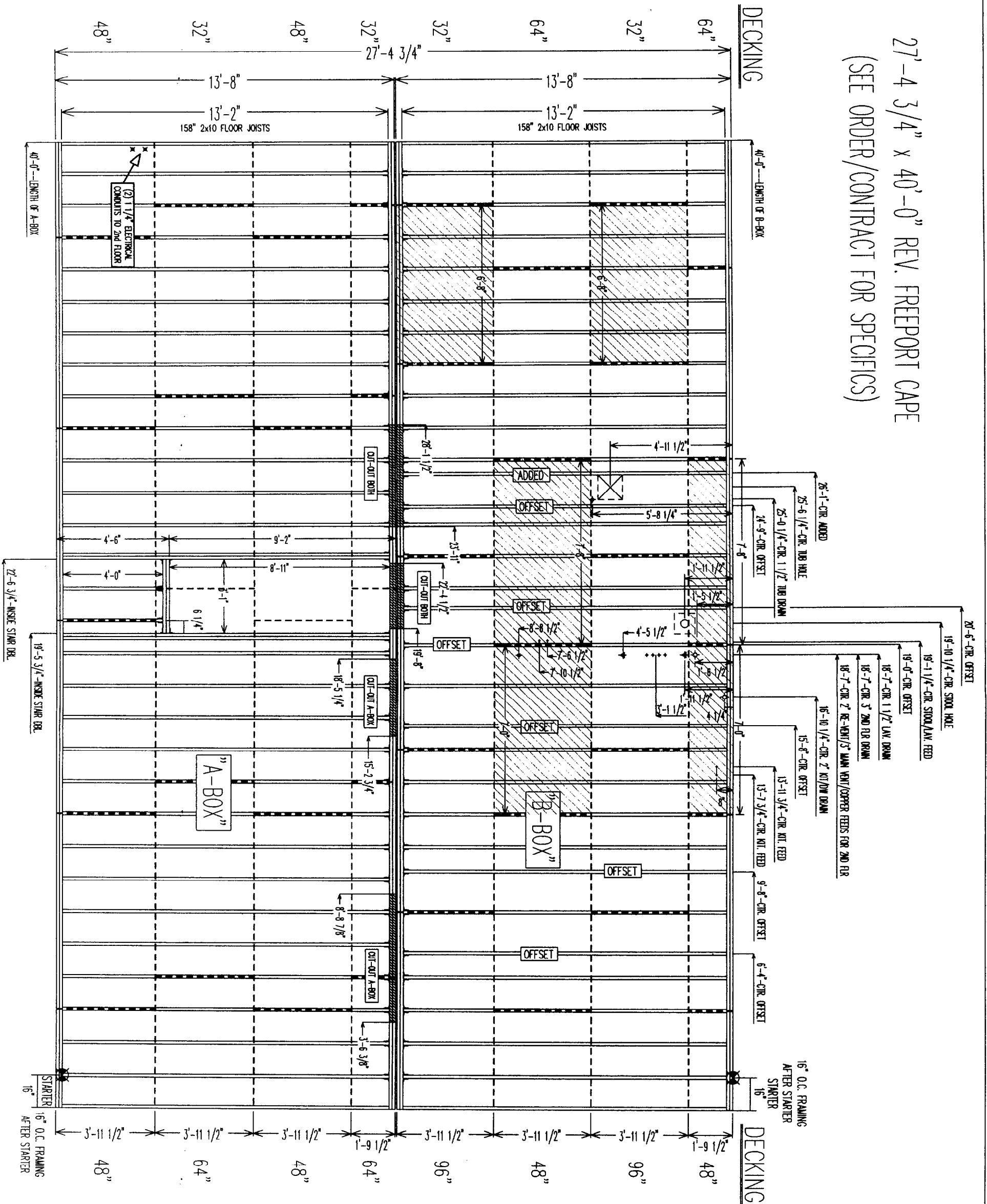
FOR HELP CALL:  
ext. 102

DATE	ITEM

SCALE:  
1/4" = 1'-0"

SHEET NO.  
P3

27'-4 3/4" x 40'-0" REV. FREEPORT CAPE  
 (SEE ORDER/CONTRACT FOR SPECIFICS)



**KEISER INDUSTRIES INC.**  
 P.O. BOX 5000 RTE. 121  
 OXFORD, ME 04270  
 TEL: (207) 539-8883  
 FAX: (207) 539-4448

DWG NO. KIM 2676

GOTO VIEW: BOTTOM

DATE: 10-9-03

PRODUCTION FLOOR FRAMING PLAN

DRAWN BY: SHERRY

FOR HELP CALL: ext. 102

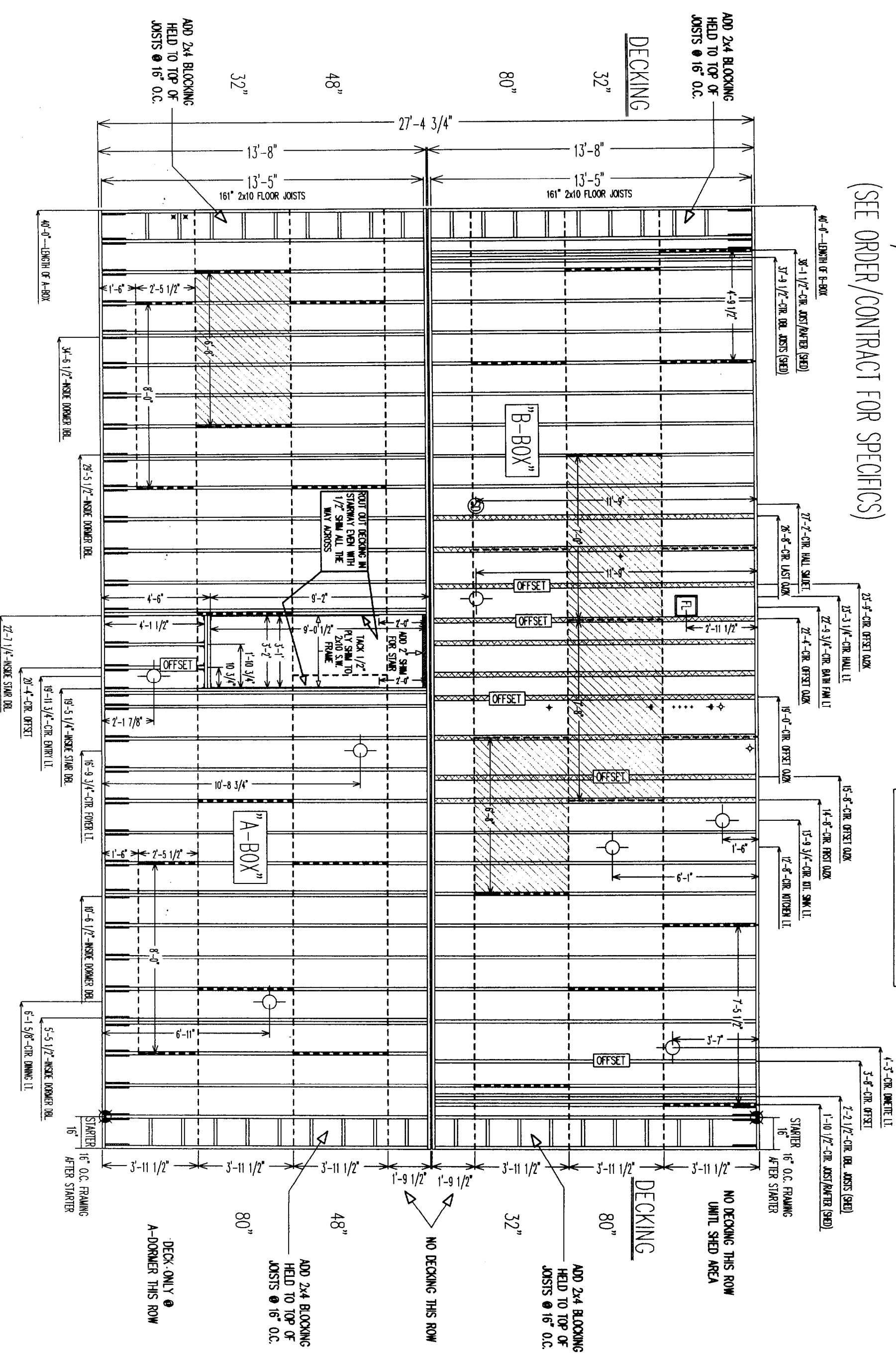
REVISIONS	DATE	ITEM

SCALE: 1/4" = 1'-0"

SHEET NO. P4

27'-4 3/4" x 40'-0" REV. FREEPORT CAPE  
(SEE ORDER/CONTRACT FOR SPECIFICS)

3/4" T&G DECKING



**KEISER**  
INDUSTRIES, INC.  
P.O. BOX 9000 RTE. 121  
ORONO, ME 04270  
TEL: (207) 539-8883  
FAX: (207) 539-4446

DWG NO.  
KIM 2676

GOTO VIEW:  
CEILING

DATE:  
10-9-03

CEILING/ROOF  
FRAMING PLAN

DRAWN BY:  
SHERRY

FOR HELP CALL:  
ext. 102

REVISIONS  
DATE ITEM

SCALE:  
1/4" = 1'-0"

SHEET NO.

P5

27'-4 3/4" x 40'  
REV. FREEPORT CAPE

**KEISER INDUSTRIES INC.**  
P.O. BOX 9000 RTE. 121  
OXFORD, ME 04270  
TELE: (207) 539-8883  
FAX: (207) 539-4446

DWG NO.  
KIM2676

GOTO VIEW:  
ELEC

DATE:  
9/19/03

ELECTRICAL

DRAWN BY:  
TF

FOR HELP CALL:  
ext. 156

REVISIONS

DATE	ITEM

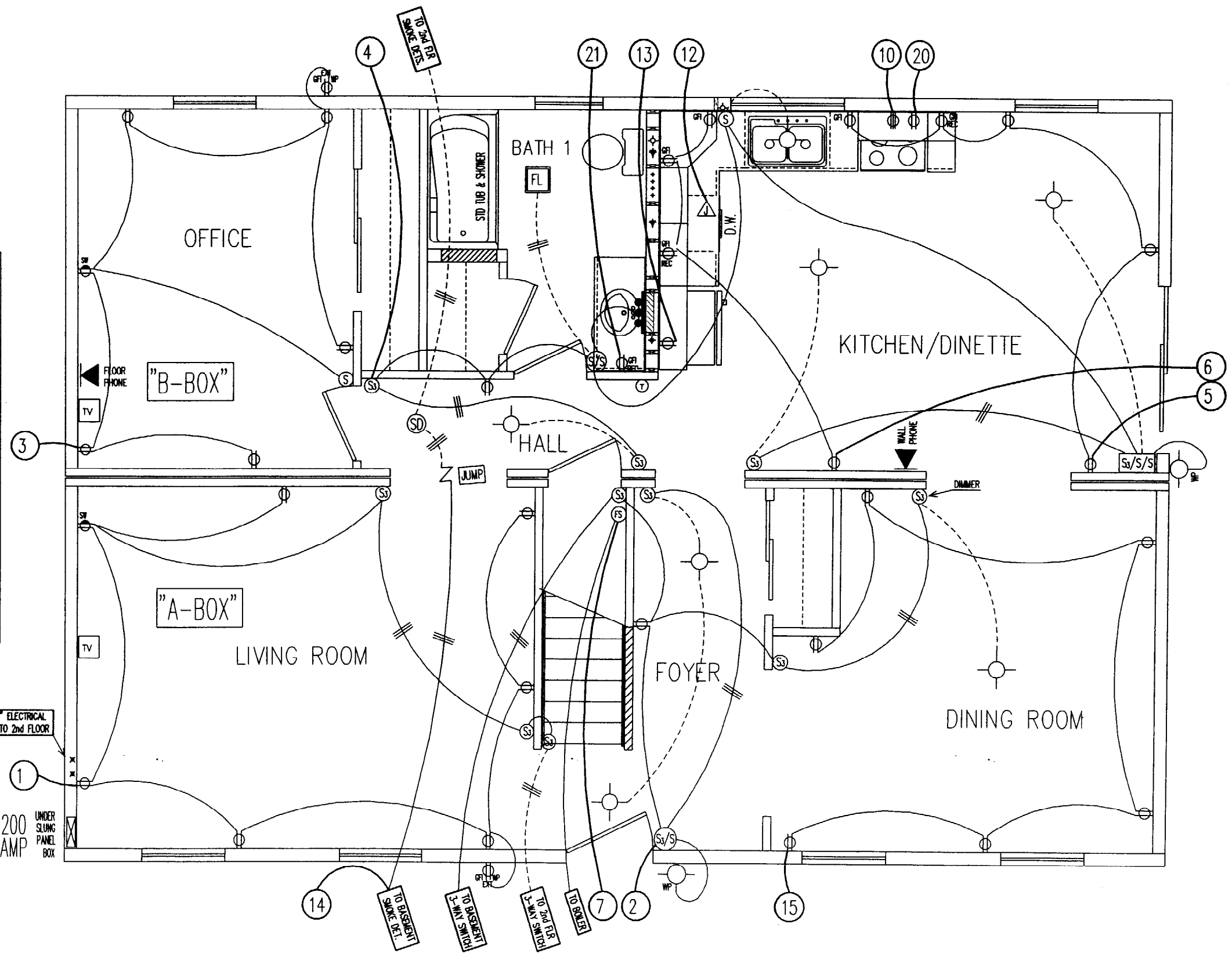
SCALE:  
1/4" = 1'-0"

SHEET NO.

P6

DESCRIPTION OF CIRCUITS				
NO.	SERVING	VOLT	WIRE	AMP
1	LIV RM; LTS; REC	120	14-2	15
2	FOYER; DINING; LTS	120	14-2	15
3	OFFICE; LTS; REC	120	14-2	15
4	KITCHEN; BATH; HALL; LTS	120	14-2	15
5	KITCHEN; REC	120	12-2	20
6	KITCHEN; REC	120	12-2	20
7	BOILER	120	14-2	15
10	RANGE	240	8-3	40
12	DISHWASHER	120	12-2	20
13	REFER.	120	12-2	20
14	SMOKE DETECTORS (AFCI)	120	14-2	15
15	DINING; REC	120	12-2	20
20	MICROWAVE	120	12-2	20
21	BATH; REC (GFI)	120	12-2	20

	A-BOX	B-BOX
FLOORS		
WALLS		
ROOF		
HOOK-UPS		
PANEL BOX		
TESTING		



(2) 1 1/4" ELECTRICAL CONDUITS TO 2nd FLOOR

200 AMP UNDER SLUNG PANEL BOX

TO 2ND FLOOR

TO 2ND FLOOR

TO 2ND FLOOR

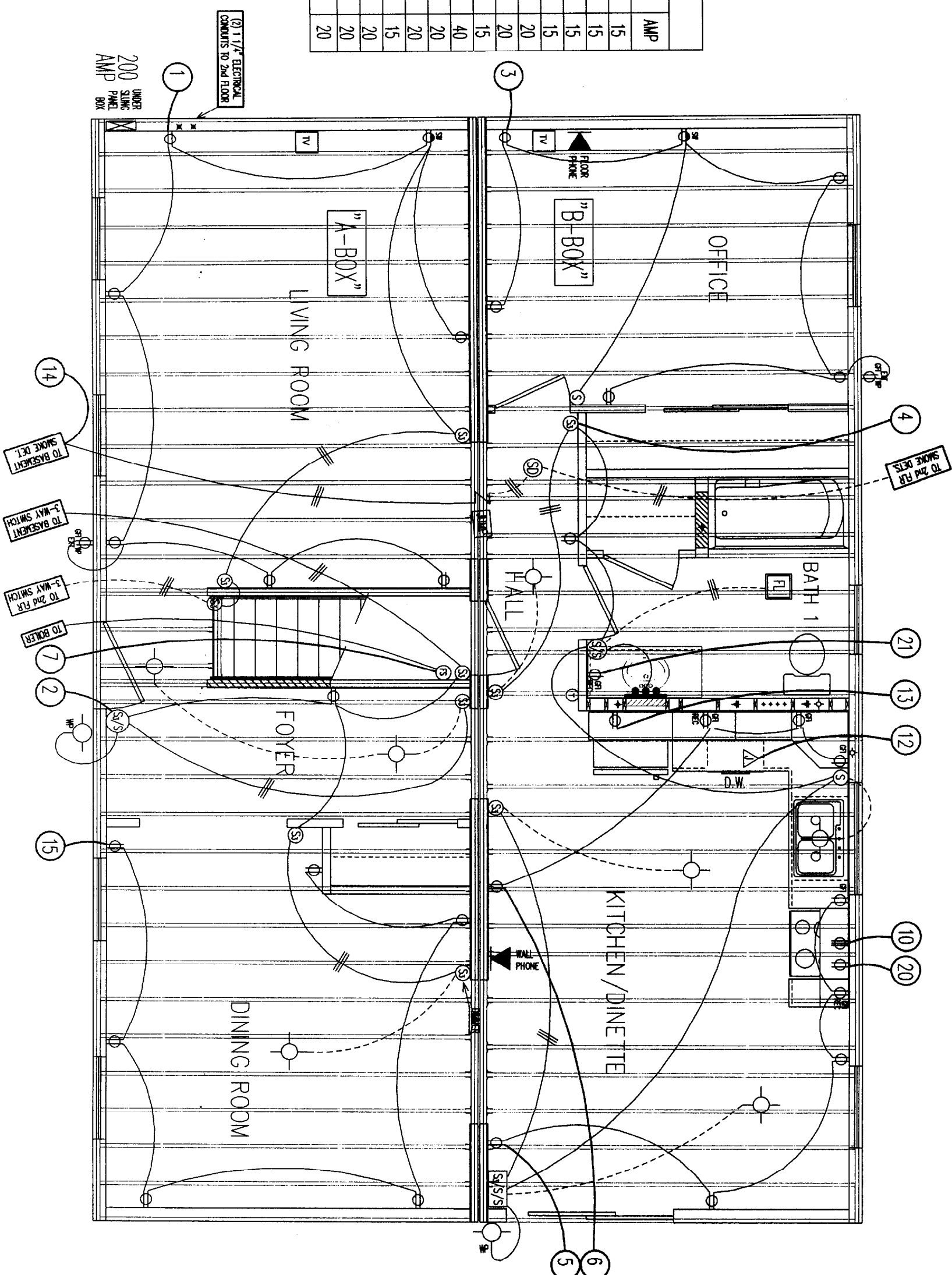
TO 2ND FLOOR

TO 2ND FLOOR

27'-4 3/4" X 40'  
REV. FREEPORT CAPE

DESCRIPTION OF CIRCUITS				
NO.	SERVING	VOLT	WIRE	AMP
1	LIV RM. LITS. REC	120	14-2	15
2	FOYER, DINING, LITS	120	14-2	15
3	OFFICE, LITS, REC	120	14-2	15
4	KITCHEN, BATH, HALL, LITS	120	14-2	15
5	KITCHEN, REC	120	12-2	20
6	KITCHEN, REC	120	12-2	20
7	BOILER	120	14-2	15
10	RANGE	240	8-3	40
12	DISHWASHER	120	12-2	20
13	REFR.	120	12-2	20
14	SMOKE DETECTORS (AFCI)	120	14-2	15
15	DINING, REC	120	12-2	20
20	MICROWAVE	120	12-2	20
21	BATH, REC (GFI)	120	12-2	20

	A-BOX	B-BOX
FLOORS		
WALLS		
ROOF		
HOOK-UPS		
PANEL BOX		
TESTING		



**KEISER**  
INDUSTRIES INC.  
P.O. BOX 8000 Rte. 121  
ORFORD, ME 04270  
TEL: (207) 538-8883  
FAX: (207) 538-4446

DWG NO. KIM2676

GOTO VIEW: ELEC

DATE: 9/19/03

ELECTRICAL

DRAWN BY: TF

FOR HELP CALL: ext. 156

DATE	ITEM	REVISIONS

SCALE: 1/4" = 1'-0"

SHEET NO. P7



DWG NO.  
KIM 2676

LAYER NAME:  
HEAT

DATE:  
10-9-03

HEAT PLAN

DRAWN BY:  
SHERRY

FOR HELP CALL:  
ext. 102

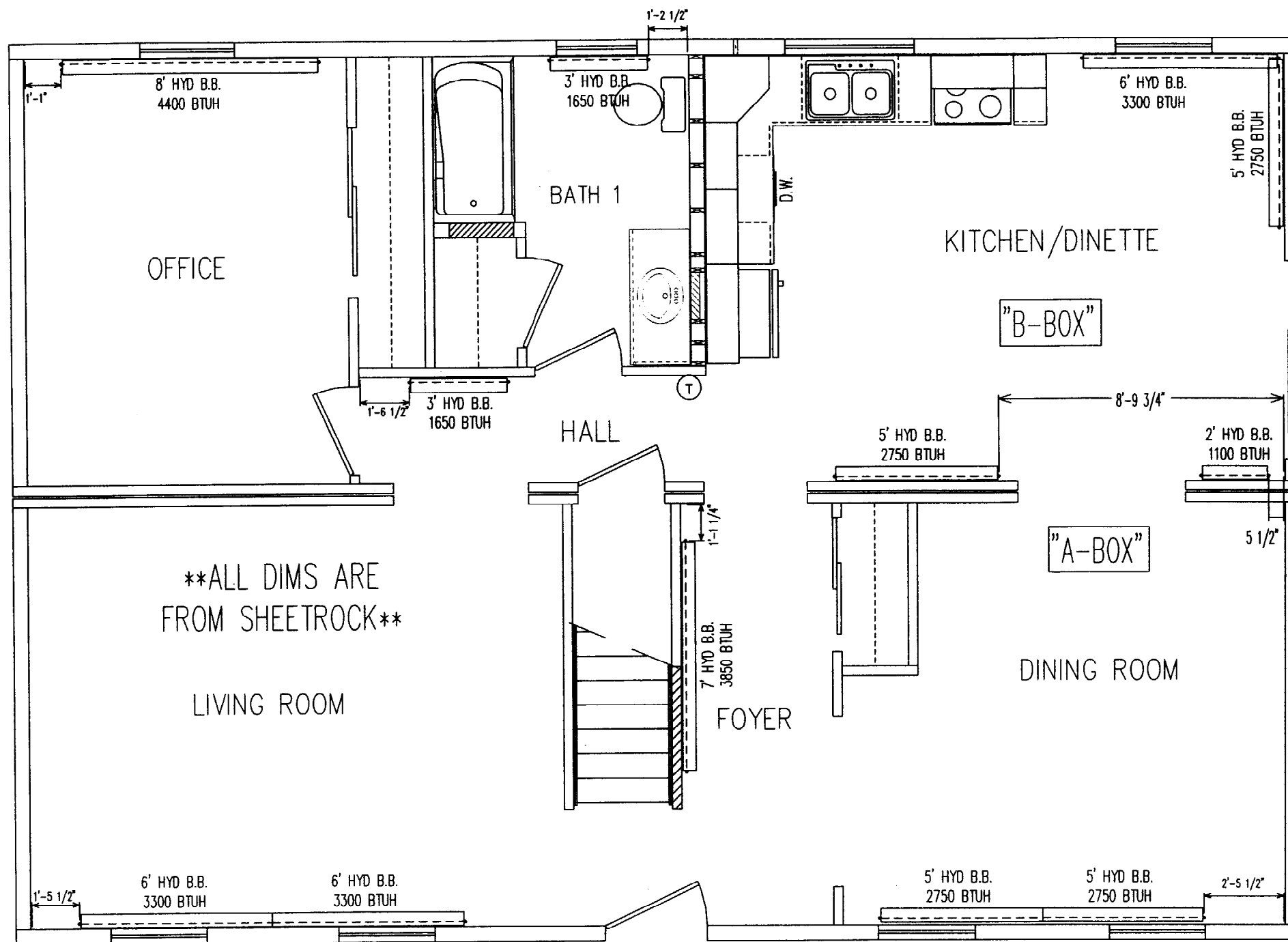
REVISIONS

DATE	ITEM

SCALE:  
1/4"=1'-0"

SHEET NO.

P8



NOTES:

The Model Energy Codes referenced by the State Building Codes require either; 1st floor insulation be site installed or foundation spaces be conditioned. This Heat Loss calculation has assumed that R-19 1st floor insulation is used, provided and installed by others. Without the floor insulation or equivalent foundation wall insulation and heat source the home will not heat properly per the Model Energy Code requirements per the home design.

NOTES:

- 1.) ALL H.W.B. PROVIDED BY MANUFACTURER ARE STUBBED THRU FLOOR TO BASEMENT.
- 2.) TWO 3/4" TYPE "L" HARD COPPER PIPES STUBBED FROM 2nd FLR. TO BASEMENT ARE PROVIDED & INSTALLED BY MANUFACTURER
- 3.) ANY ADDITIONAL H.W.B. FOR EXPANDABLE 2nd FLOORS, TO BE FURNISHED & INSTALLED ON-SITE BY OTHERS.
- 4.) BOILER AND ALL HEAT LOOP CONNECTIONS AT BASEMENT FURNISHED & INSTALLED ON-SITE BY OTHERS.
- 5.) TOTAL HEAT OUTPUT AS SHOWN = 32,450 BTU/HR. @ 1st FLOOR.

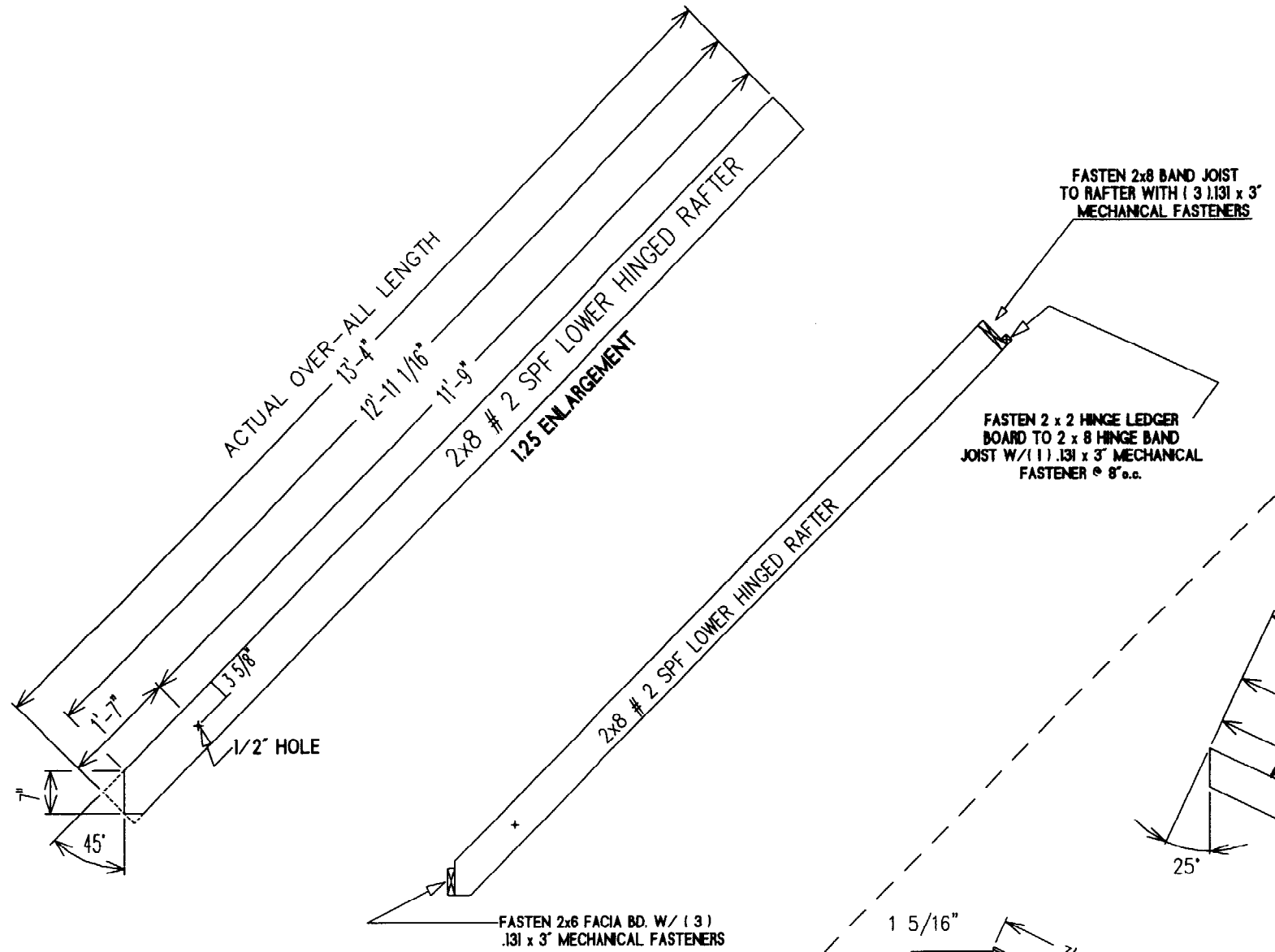
\*\*ALL DIMS ARE FROM SHEETROCK\*\*



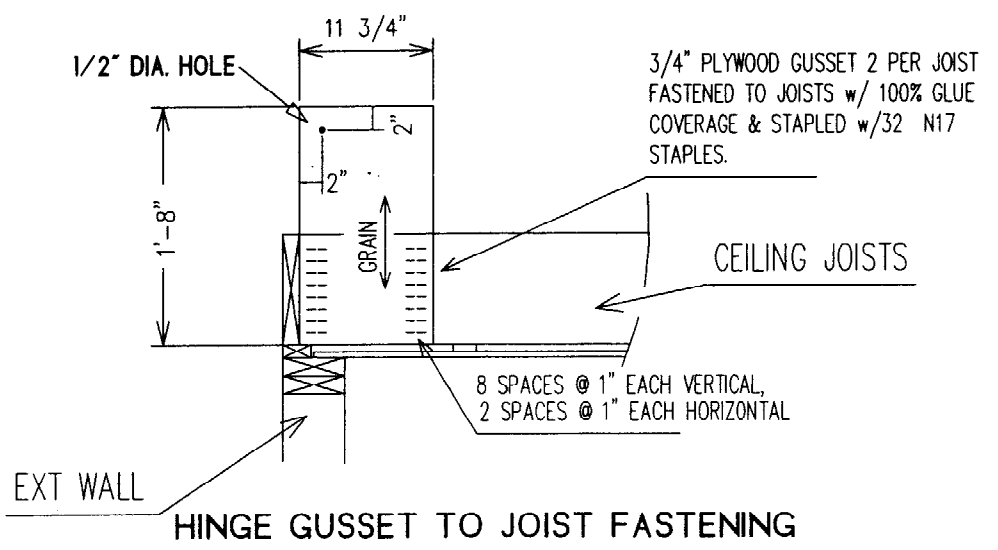
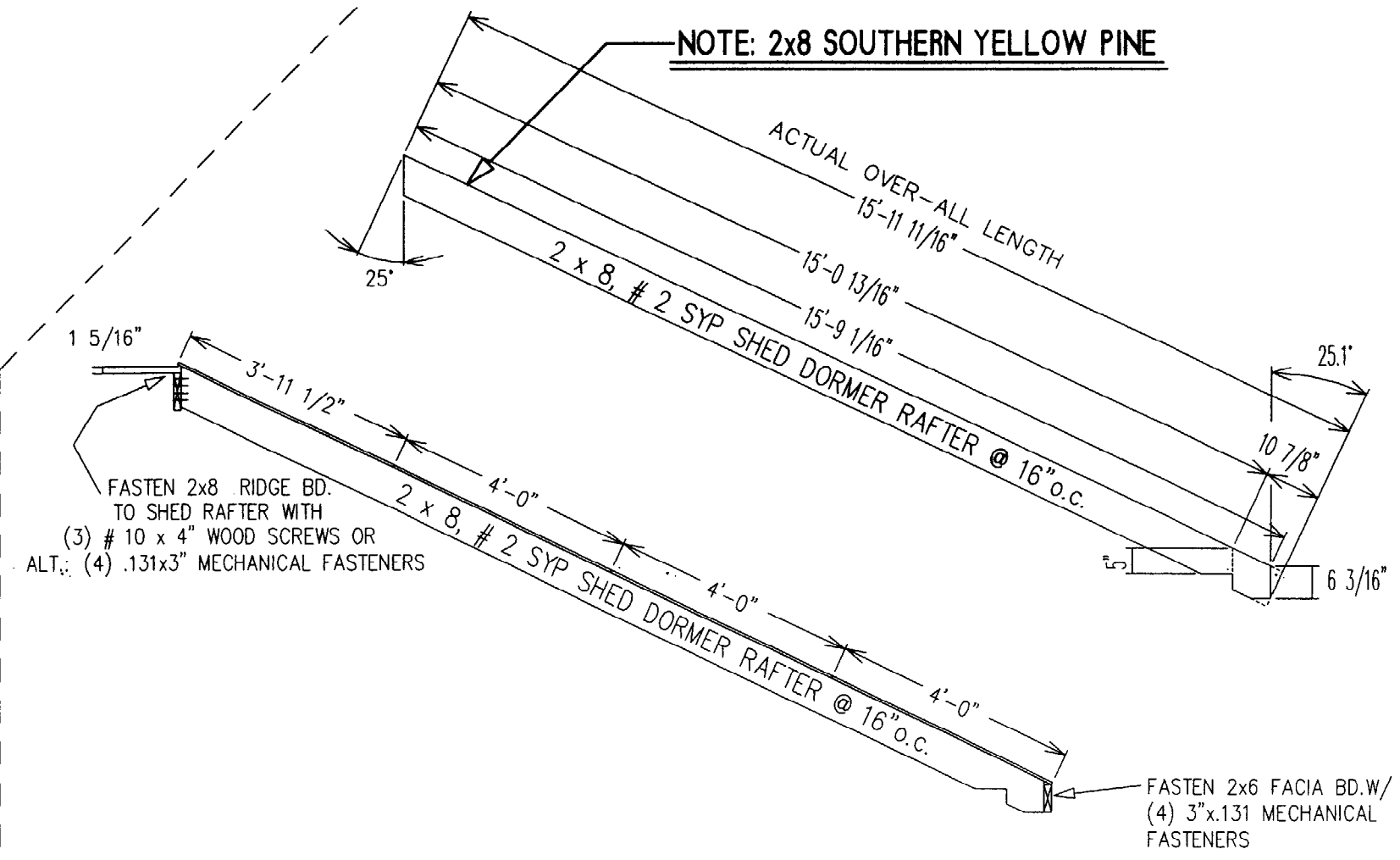




# BASE RAFTER PATTERN



# SHED RAFTER PATTERN



DWG NO.  
KIM 2676

LAYER NAME:  
SECTION

DATE:  
10-13-03

27'-4 3/4" STD. CAPE  
W/FLUSH SHED DORMER  
RAFTER & HINGE DETAILS

DRAWN BY:  
SHERRY

FOR HELP CALL:  
EXT. 102

REVISIONS	
DATE	ITEM

SCALE:  
3/8"=1'-0"

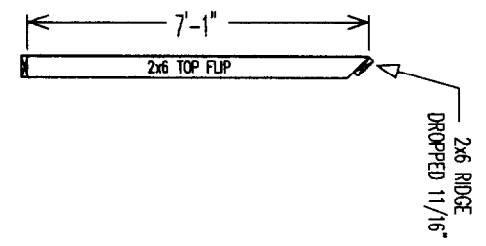
SHEET NO.  
P13.1

ALL TOP FLIPS BUILT WITH LONG POINT OF FLIP RAFTERS DOWN ON TABLE

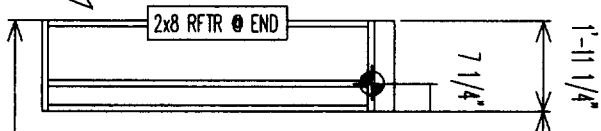
RIDGE SIDE

36'-1 1/2"

1'-11 1/4"



ADD 2x FOR SUB-FASCIA

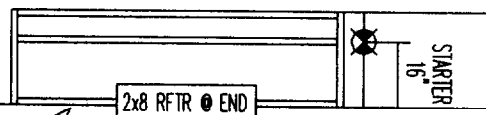


"B-BOX"

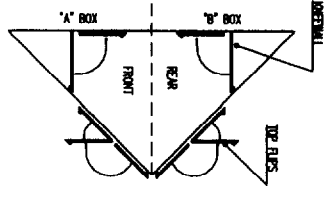
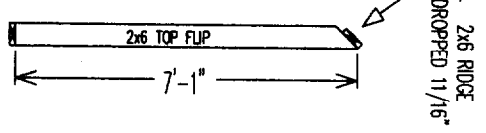
BASE RFTR SIDE

40'-0"

36'-0" FULL SHED DORMER @ "B" BOX



ADD 2x FOR SUB-FASCIA

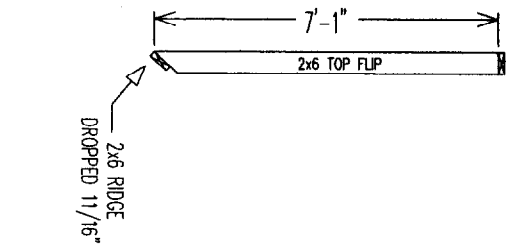
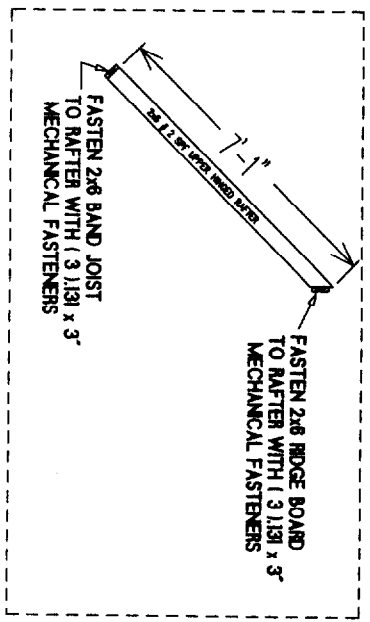
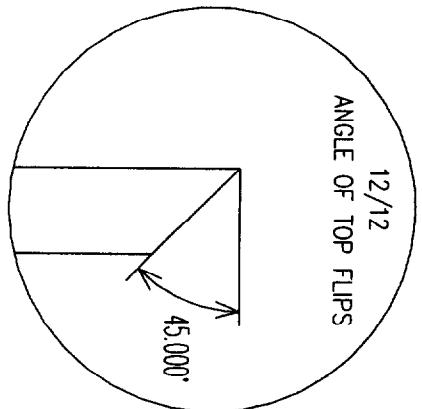


ALL TOP FLIPS  
16" O.C. FROM STARTERS

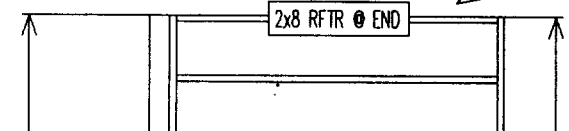
"A-BOX"

BASE RFTR SIDE

40'-0"



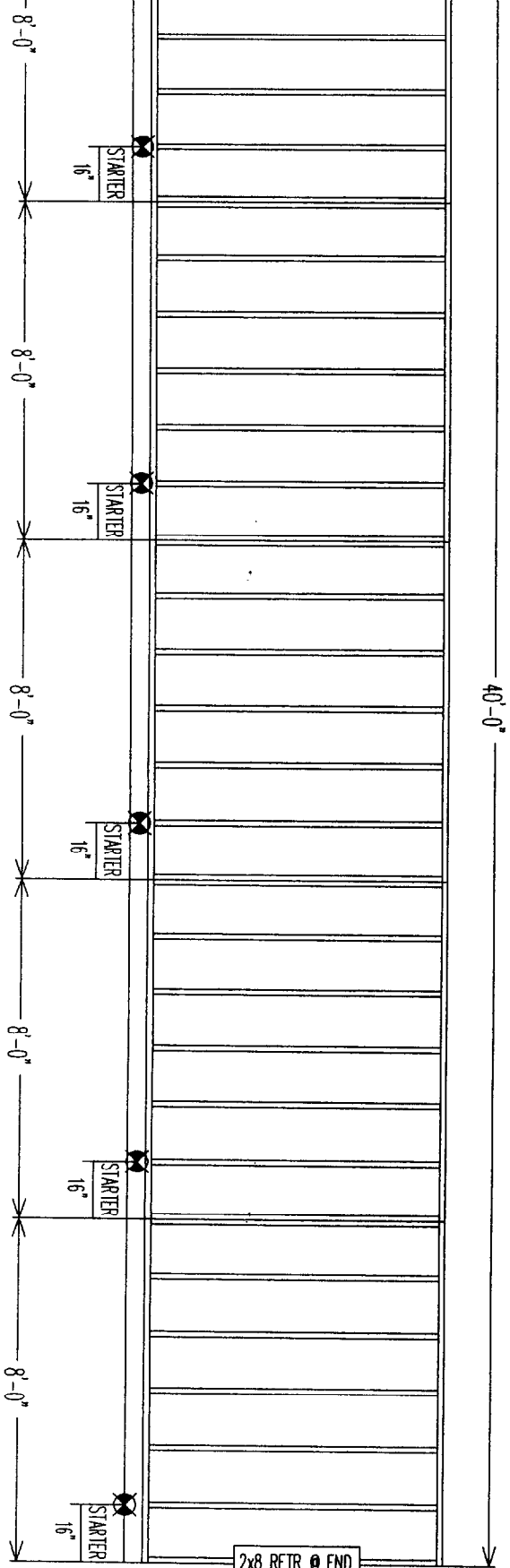
ADD 2x FOR SUB-FASCIA



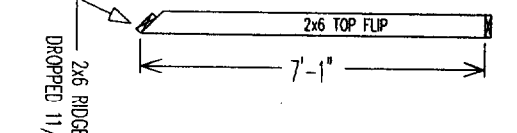
"A-BOX"

BASE RFTR SIDE

40'-0"



ADD 2x FOR SUB-FASCIA



RIDGE SIDE

**REISER INDUSTRIES INC.**  
P.O. BOX 9000 RTE. 121  
ONFORD, ME 04270  
TEL: (207) 538-8833  
FAX: (207) 539-4446

DWG NO. KIM 2676

LAYER NAME: TOPFLIP

DATE: 10-13-03

27'-4 3/4" WIDE  
12/12 PITCH  
TOP FLIP LAYOUTS

DRAWN BY: SHERRY

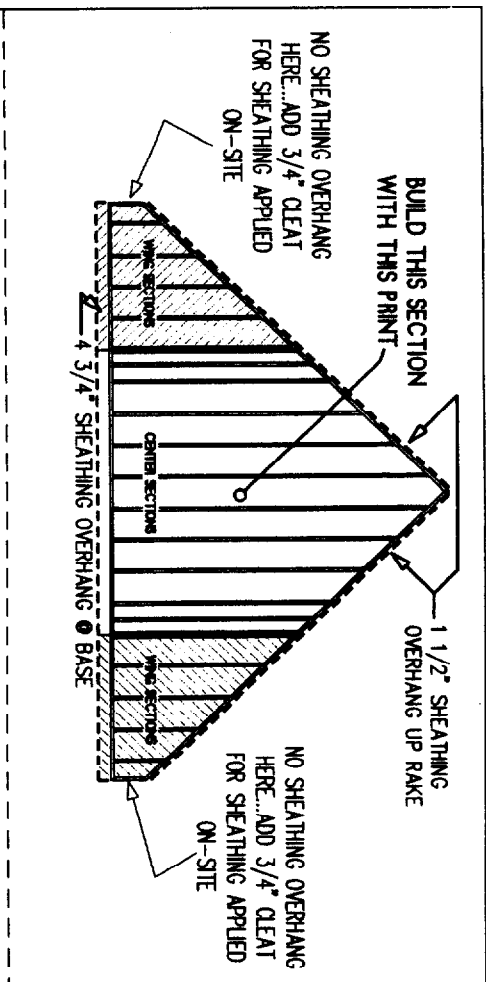
FOR HELP CALL: EXT. 102

REVISIONS

DATE	ITEM

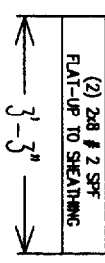
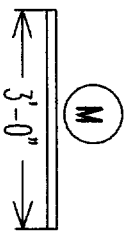
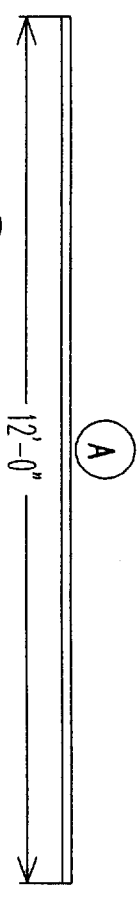
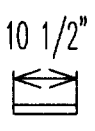
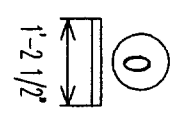
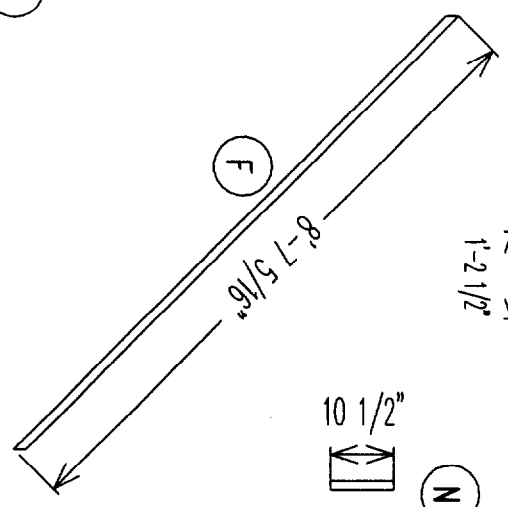
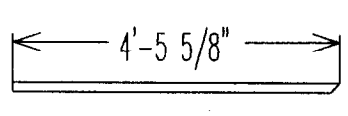
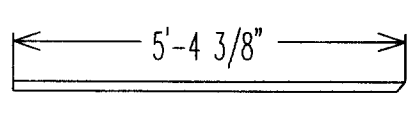
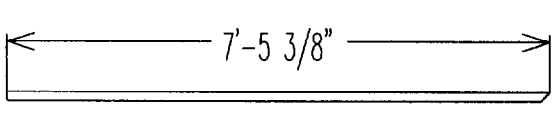
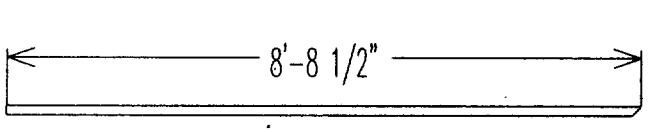
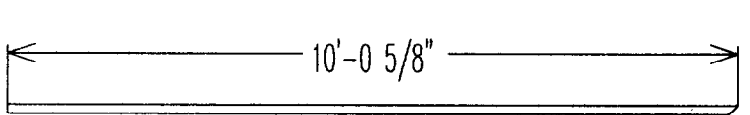
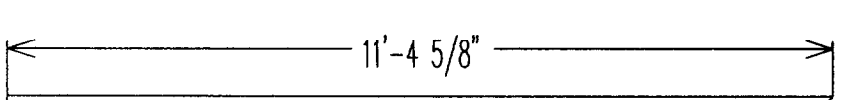
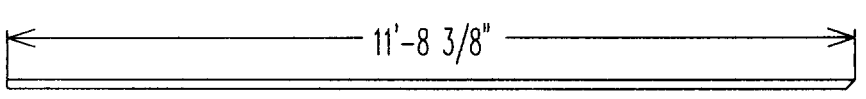
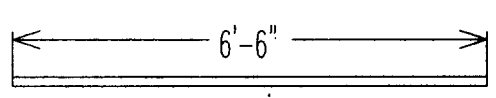
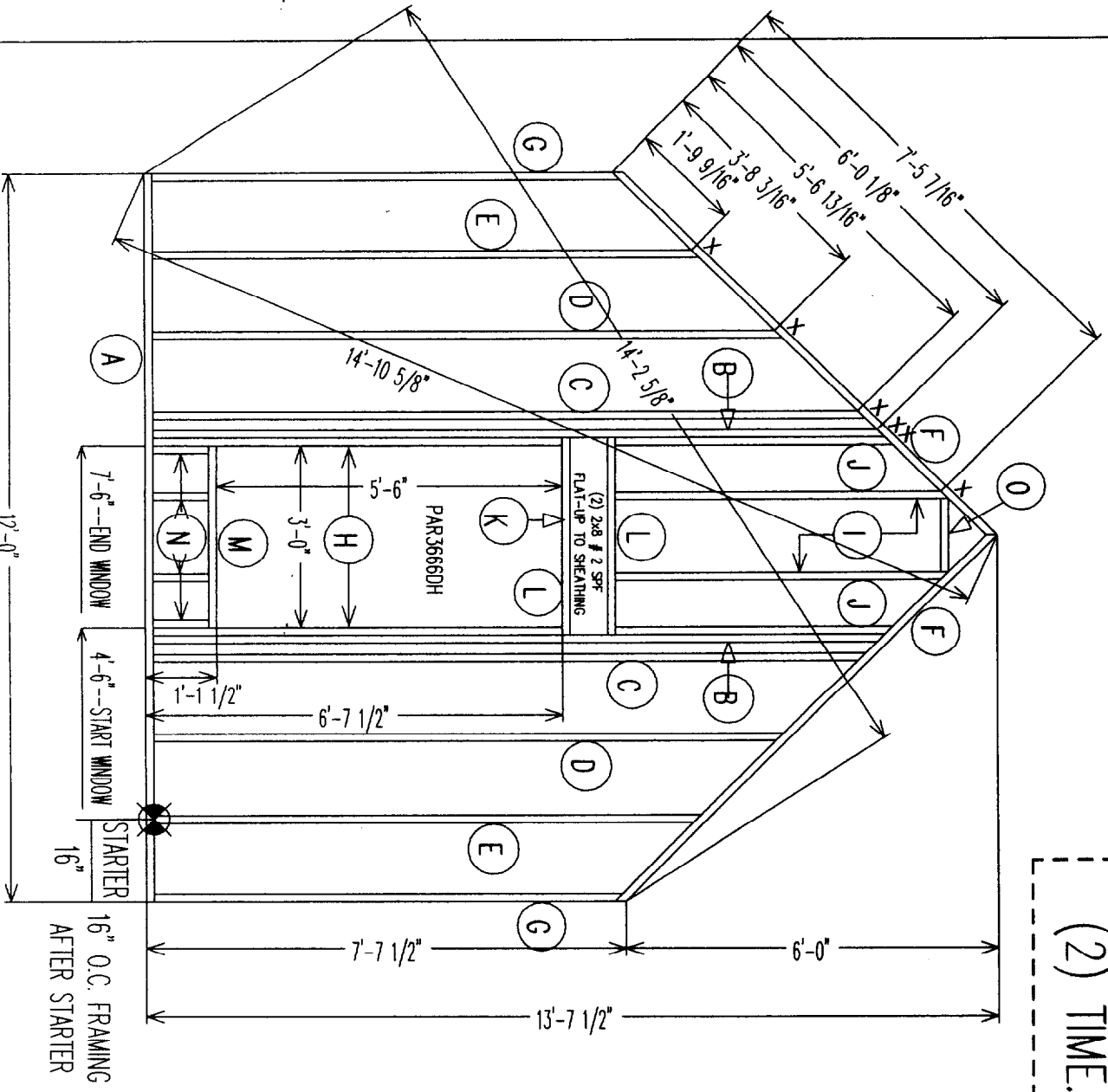
SCALE: 1/4" = 1'-0"  
SHEET NO. P14





BUILD THIS WALL PANEL  
(2) TIME...SHEATH FACE-UP

NOTE: - ALL 2 x 6 FRAMING (EXCEPT 2x8 HEADERS)  
- ALL ANGLE CUTS ARE 45°



**KEISER**  
INDUSTRIES INC.  
P.O. BOX 9000 RTE. 121  
08798D, ME 04270  
TEL: (207) 539-9983  
FAX: (207) 539-4446

DWG NO.  
KIM 2676

LAYER NAME:  
GEW

DATE:  
10-13-03

27'-4 3/4" wide 12/12 CAPE  
CTR. SECTIONS FOR  
LEFT & RIGHT G.E.W.S  
- FRAMING LAYOUT -

DRAWN BY:  
SHERRY

FOR HELP CALL:  
EXT. 102

REVISIONS

SCALE:  
3/8" = 1'-0"

SHEET NO.  
P16



DWG NO.  
 KIM 2676

LAYER NAME:  
 GEW

DATE:  
 10-13-03

27'-4 3/4" wide 12/12 CAPE  
 WING SECTIONS FOR  
 LEFT & RIGHT G.E.W.S  
 - FRAMING LAYOUT -

DRAWN BY:  
 SHERRY

CHECKED BY:  
 EXT. 102

REVISIONS

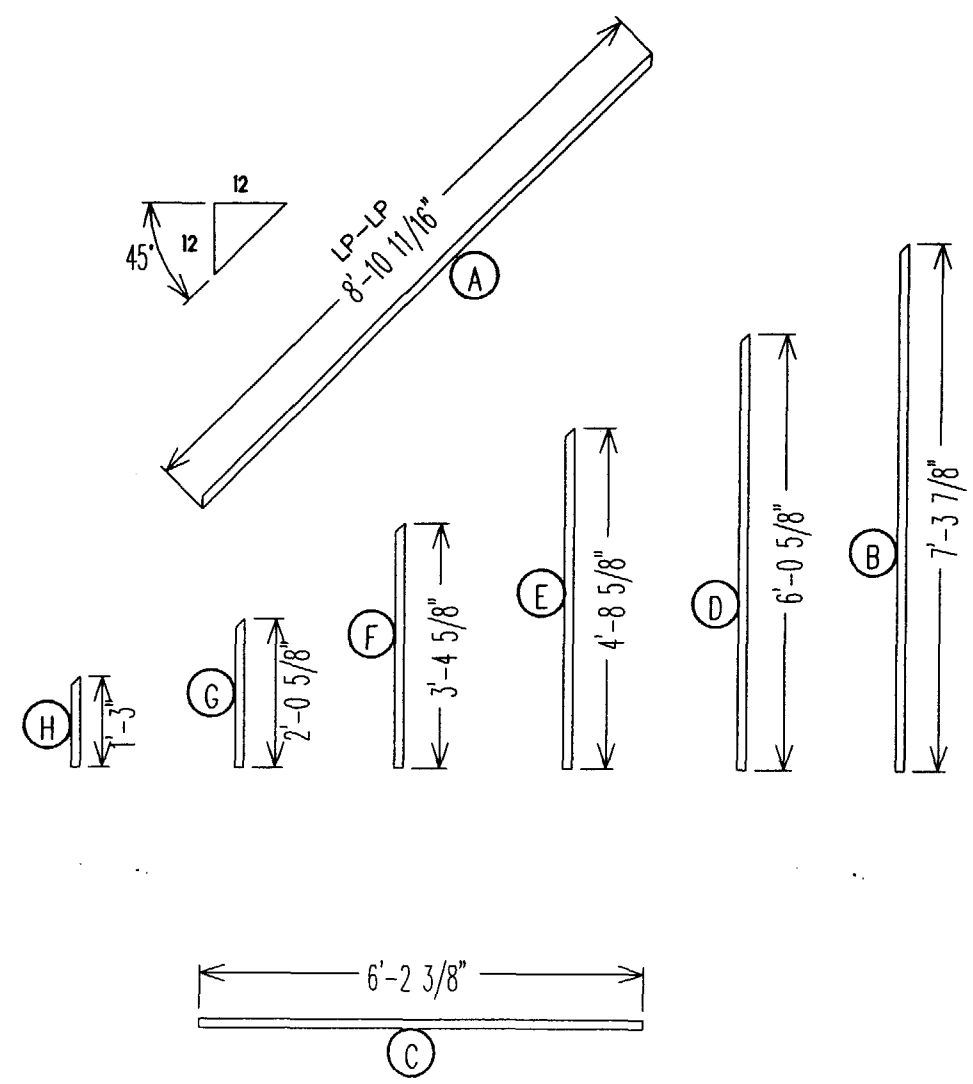
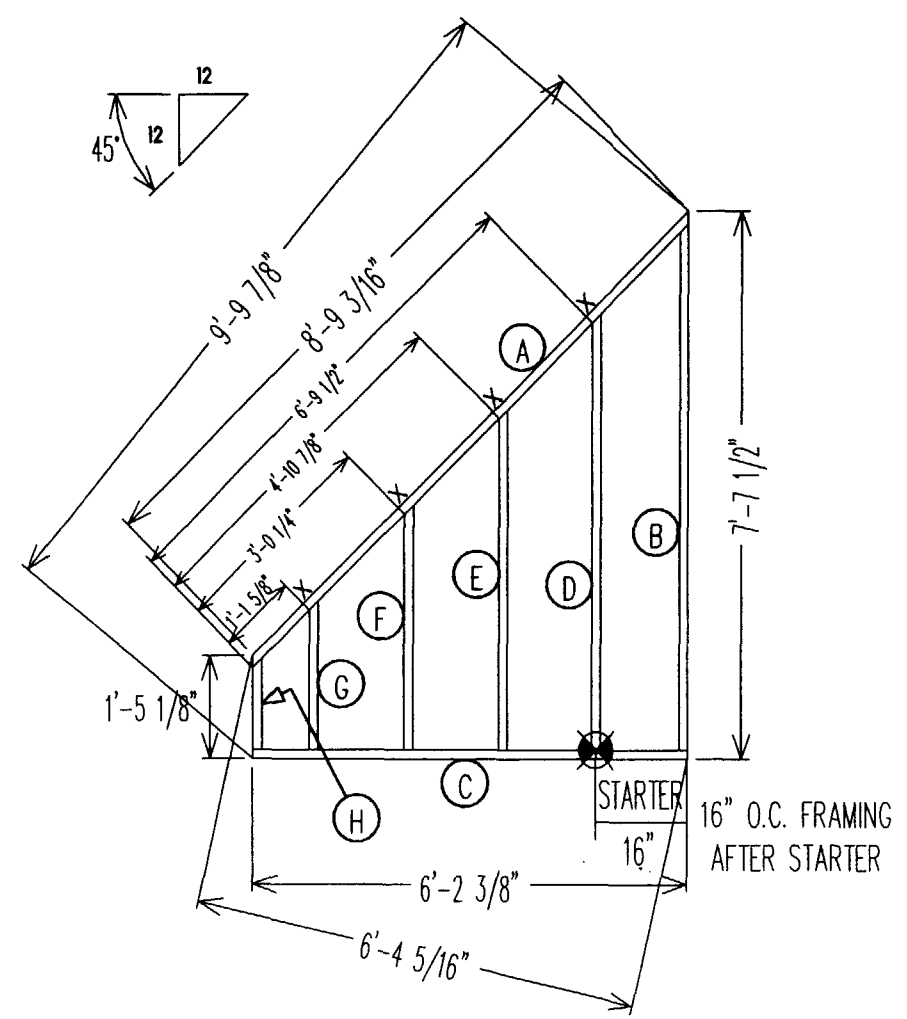
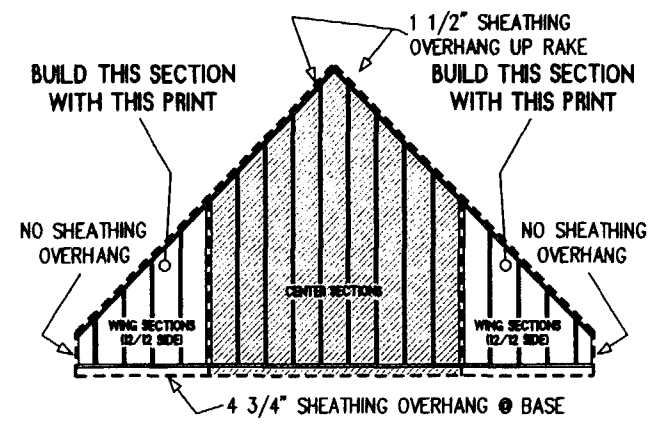
DATE	ITEM

SCALE:  
 3/8" = 1'-0"

SHEET NO.  
 P16.1

NOTE: - ALL 2 x 6 FRAMING  
 - ALL ANGLE CUTS ARE 45°

BUILD THIS WALL PANEL  
 (4) TIMES...SHEATH (2) FACE-UP  
 & SHEATH (2) FACE DOWN



**REDBERG**  
 INDUSTRIES INC.  
 P.O. BOX 9000 RTE. 121  
 OXFORD, NC 28770  
 TELE: (207) 539-8863  
 FAX: (207) 539-4446

DWG NO. KIM 2676

LAYER NAME: SWALL

DATE: 10-13-03

SHED WALL

DRAWN BY: SHERRY

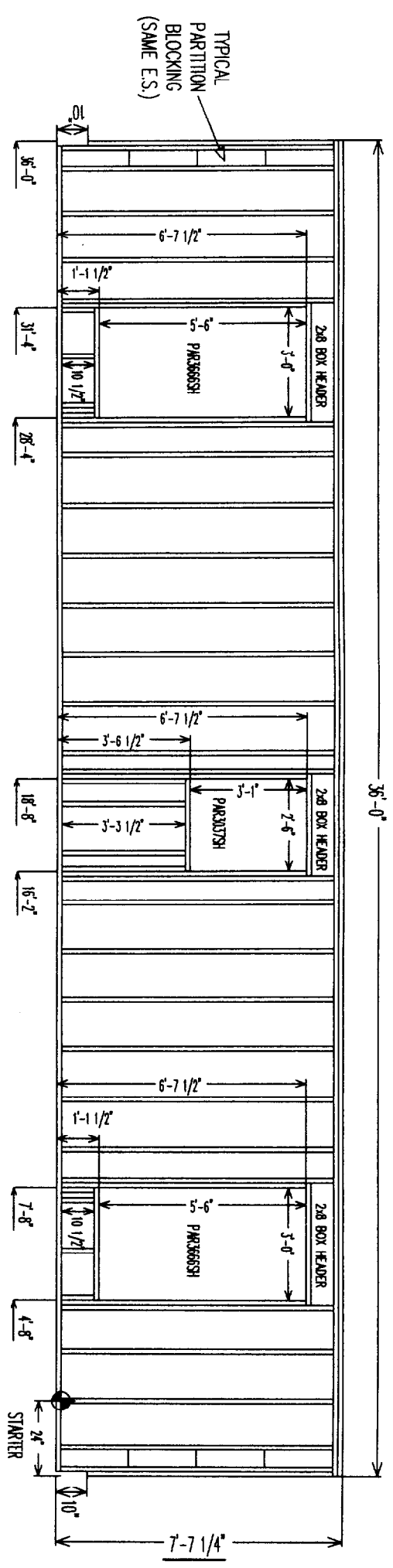
FOR HELP CALL: EXT. 102

REVISIONS	
DATE	ITEM

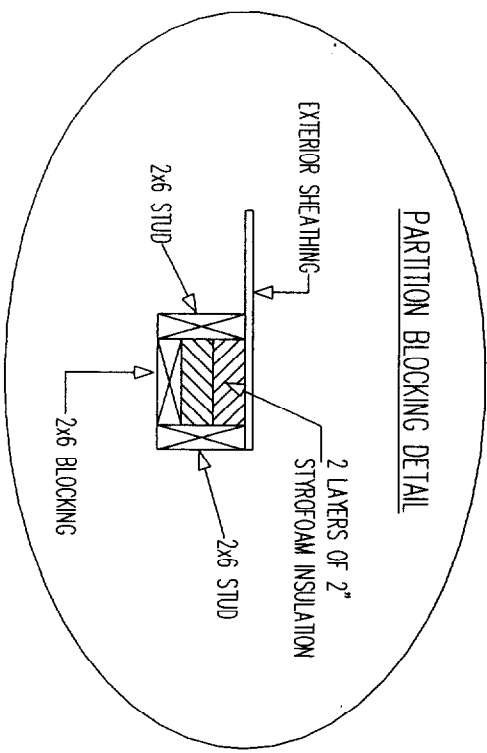
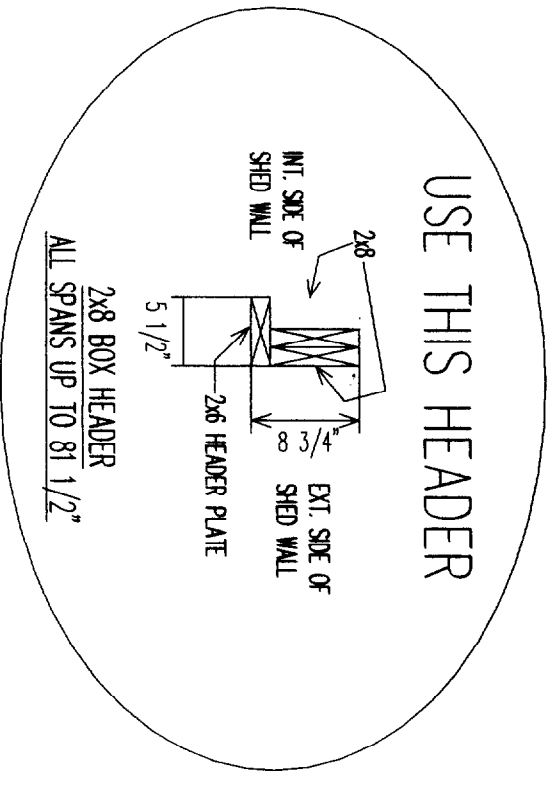
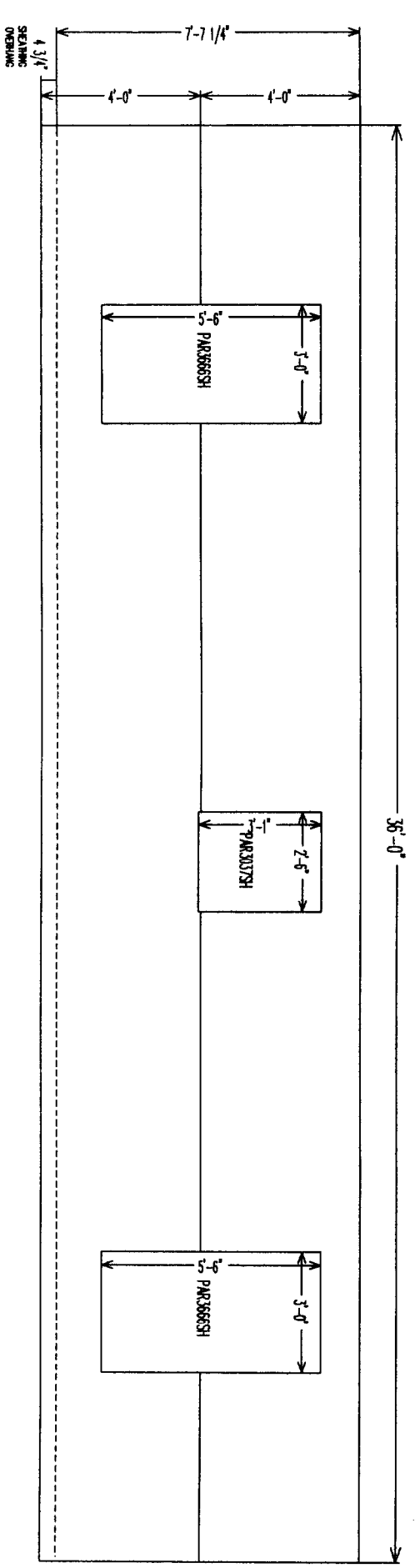
SCALE: 1/4" = 1'-0"

SHEET NO.

P17



WALL HEIGHT IS 91 1/4"



DWG NO.  
KIM 2676

LAYER NAME:  
SROOF

DATE:  
10-13-03

(28 WIDE CAPE)  
36 FT LENGTH  
FULL SHED DORMER ROOF  
SEE CROSS SECTION

DRAWN BY:  
SHERRY

CHECKED BY:

REVISIONS

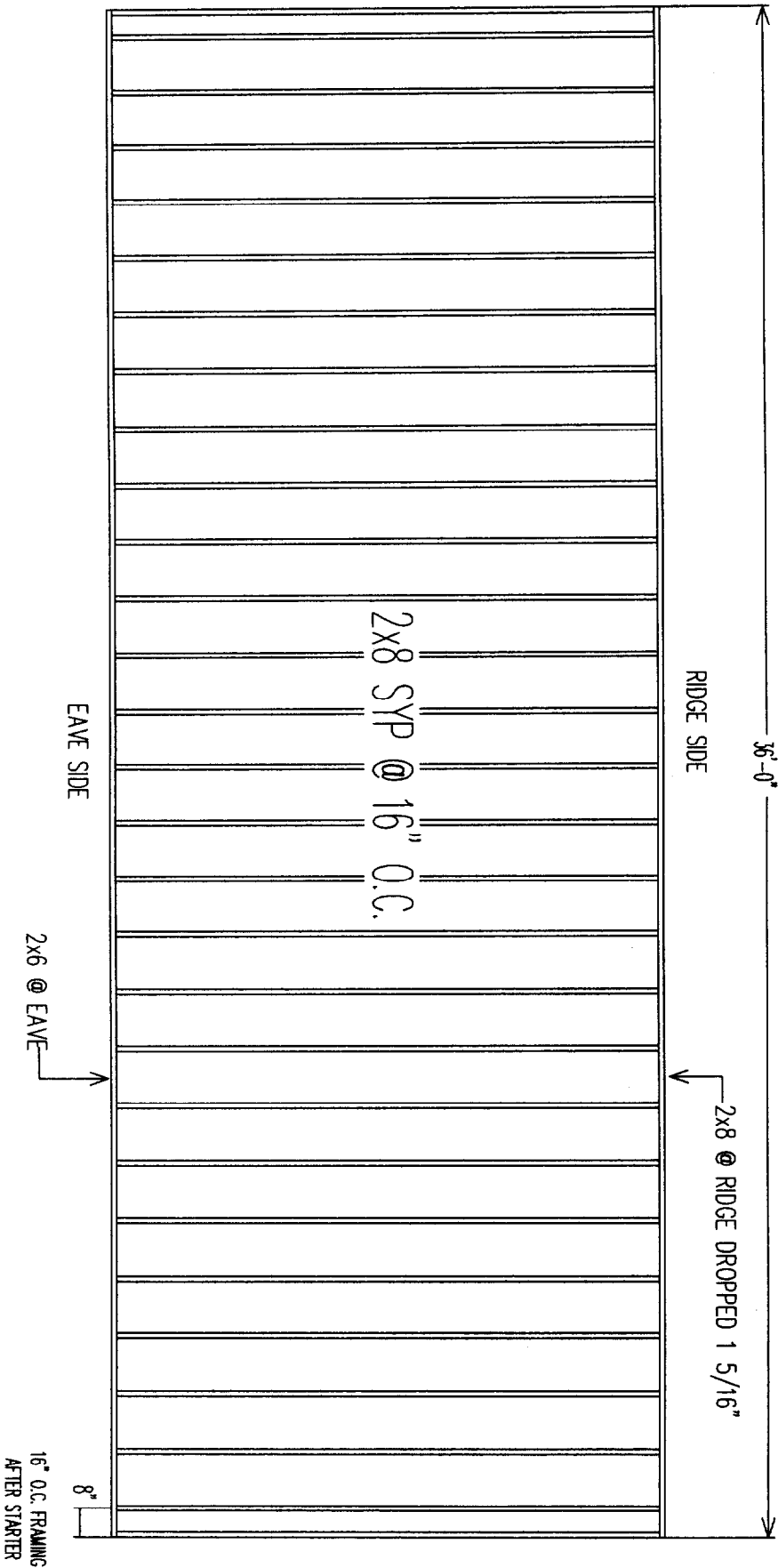
DATE	ITEM

SCALE:  
1/4" = 1'-0"

SHEET NO.

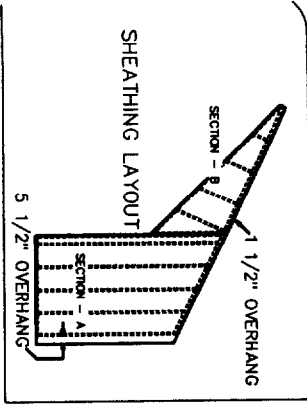
P18

NOTE: DOES NOT HAVE GABLE OVERHANGS.

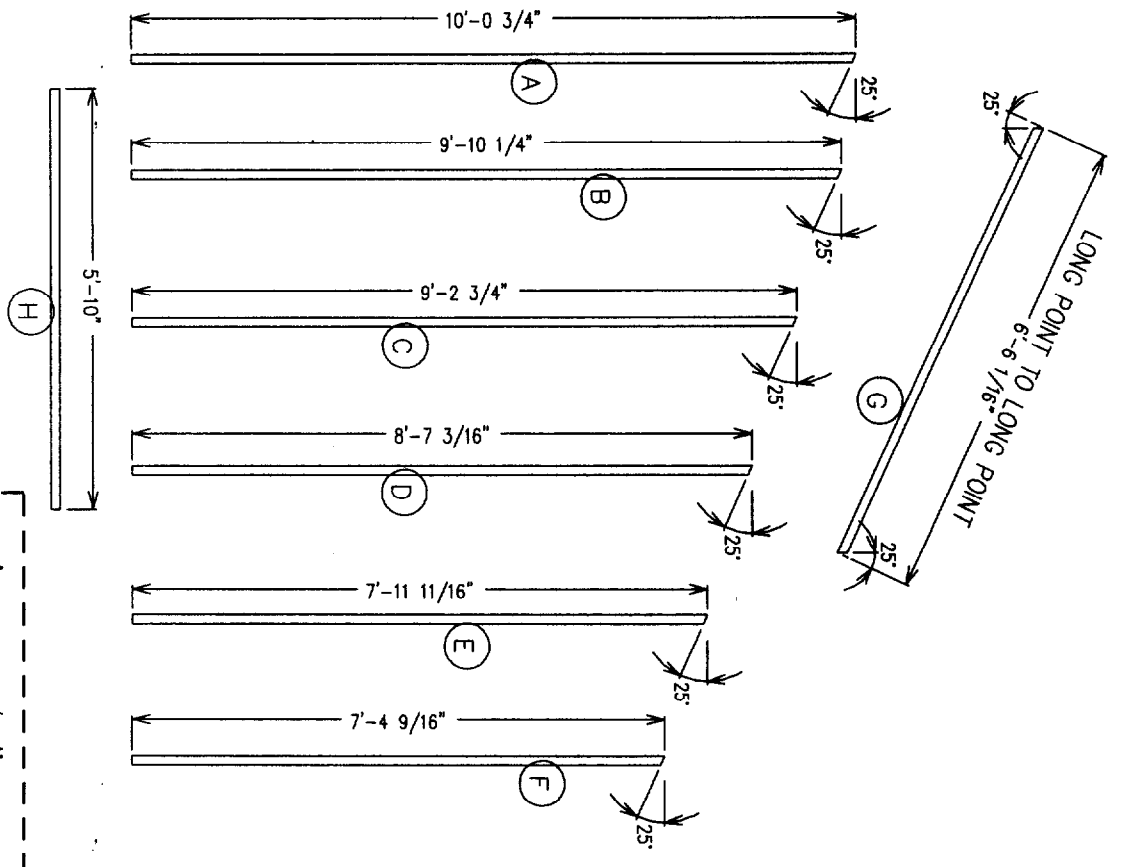
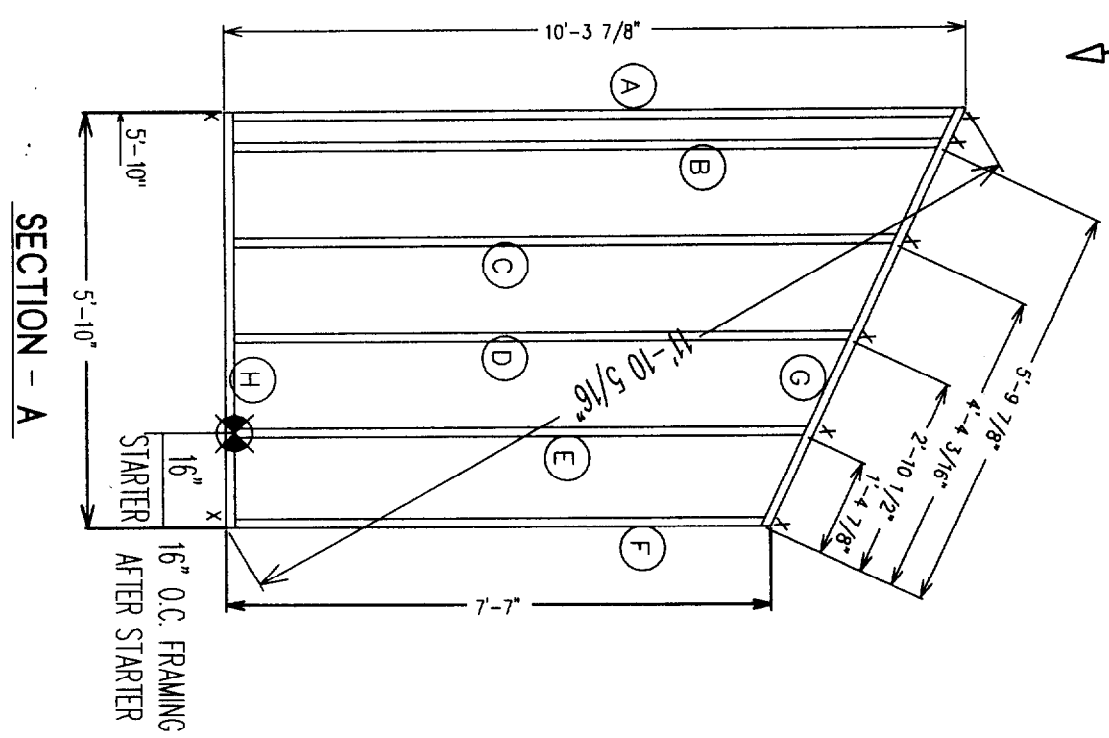
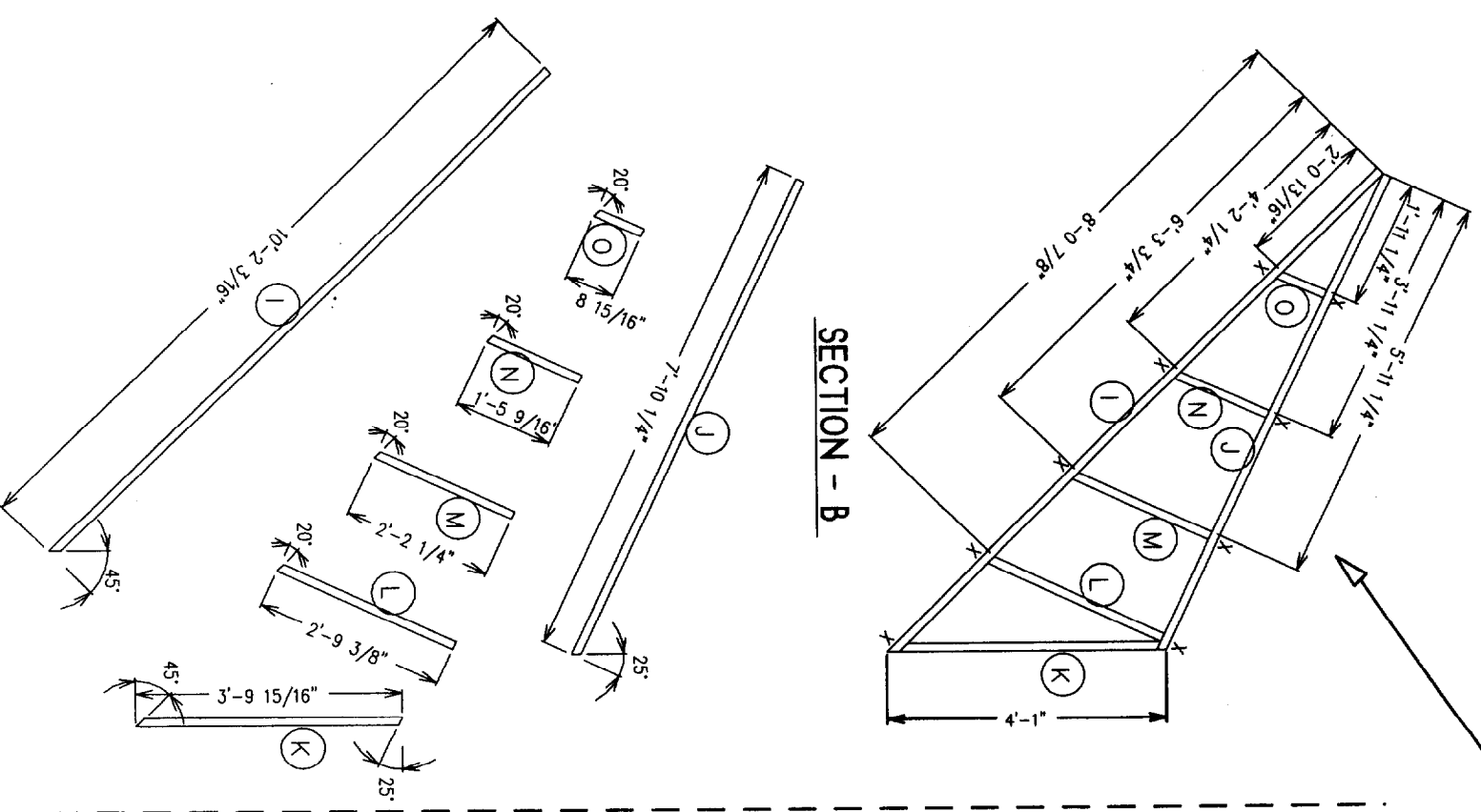


SEE SHEET P13.1 FOR SHED RAFTER PATTERN

NOTE: - ALL 2 x 6 FRAMING



NOTE: THIS UPPER SECTION MUST BE BUILT AGAINST THE LOWER SECTION USE A STRAIGHT EDGE TO LINE UP THE TOP PLATES TO MAINTAIN THE CORRECT SHAPE OF BOTH SECTIONS.



7'-7 1/4" COLLAR TIE  
HEIGHT DETAIL

NOTE (2) REQUIRED, SHEATH ONE FACE-UP AND SHEATH ONE FACE-DOWN

**REISER**  
INDUSTRIES INC.  
P.O. BOX 9000 RTE. 121  
OXFORD, ME 04270  
TEL: (207) 539-8883  
FAX: (207) 539-4446

DWG NO. KIM 2676

LAYER NAME: SSWALL

DATE: 10-13-03

27'-4 3/4" CAPE COMPONENTS  
FLUSH SHED  
GABLE END WALL  
FRAMING LAYOUT

DRAWN BY: SHERRY

FOR HELP CALL: EXT 102

REVISIONS

DATE	ITEM

SCALE: 3/8" = 1'-0"

PG. NO.:

P19

DWG NO.  
KIM2676

LAYER NAME:  
ADORMR

DATE:  
10-13-03

27'-4 3/4" CAPE COMPONENTS  
5'-12/12 PITCH  
"A" DORMER  
(7'-7 1/4" COLLAR TIE HEIGHT)

DRAWN BY:  
SHERRY

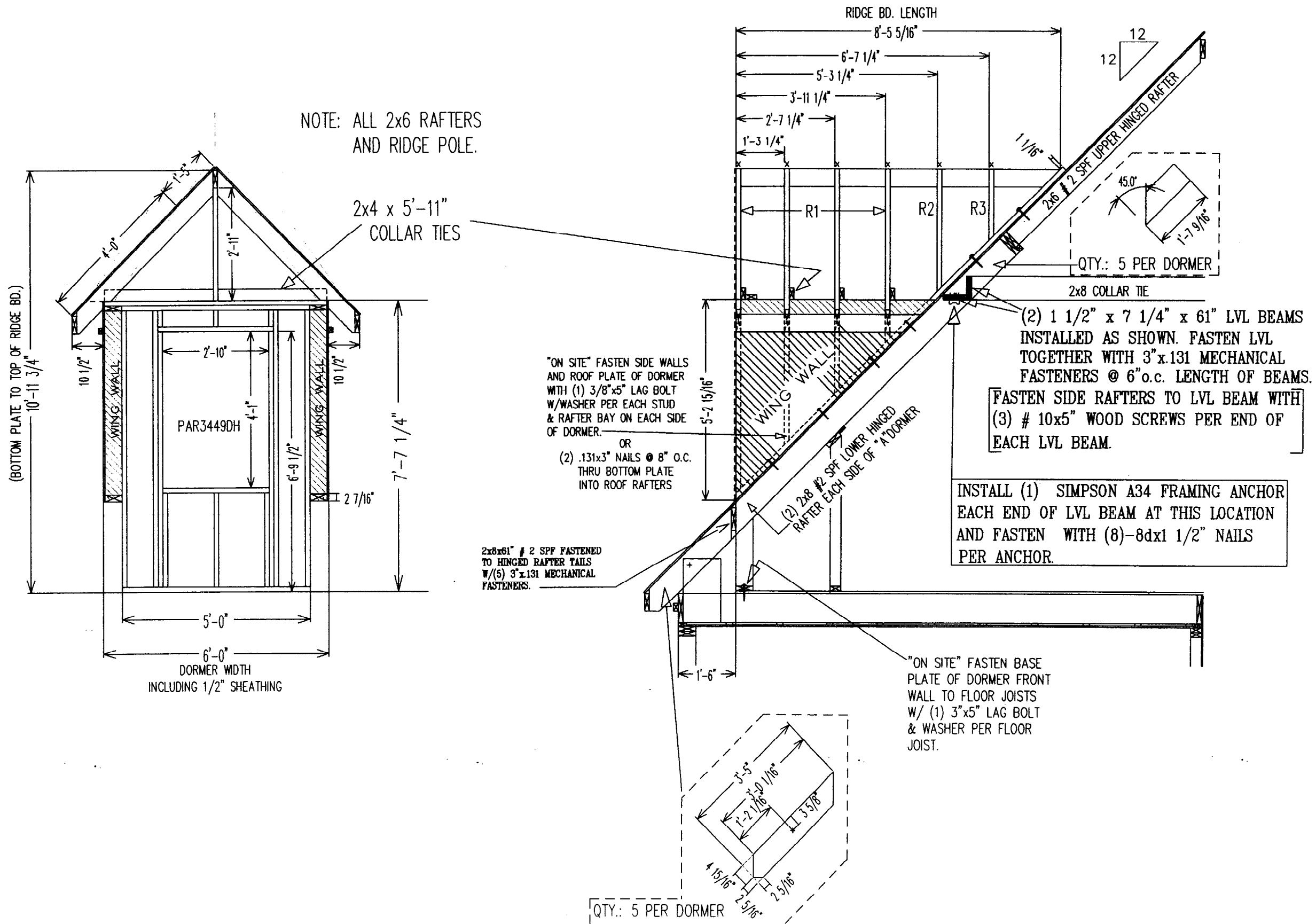
FOR HELP CALL:  
EXT. 102

REVISIONS

DATE	ITEM

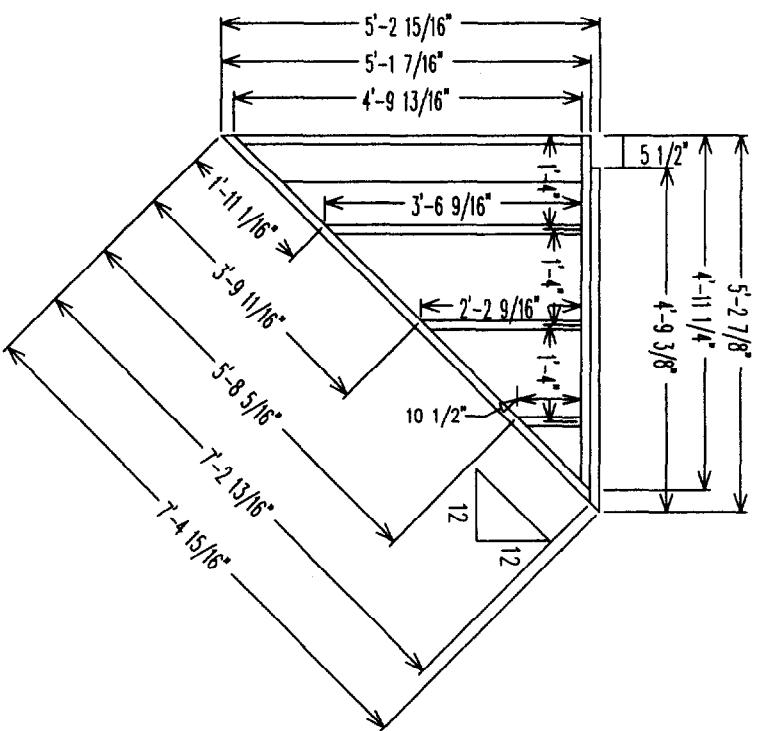
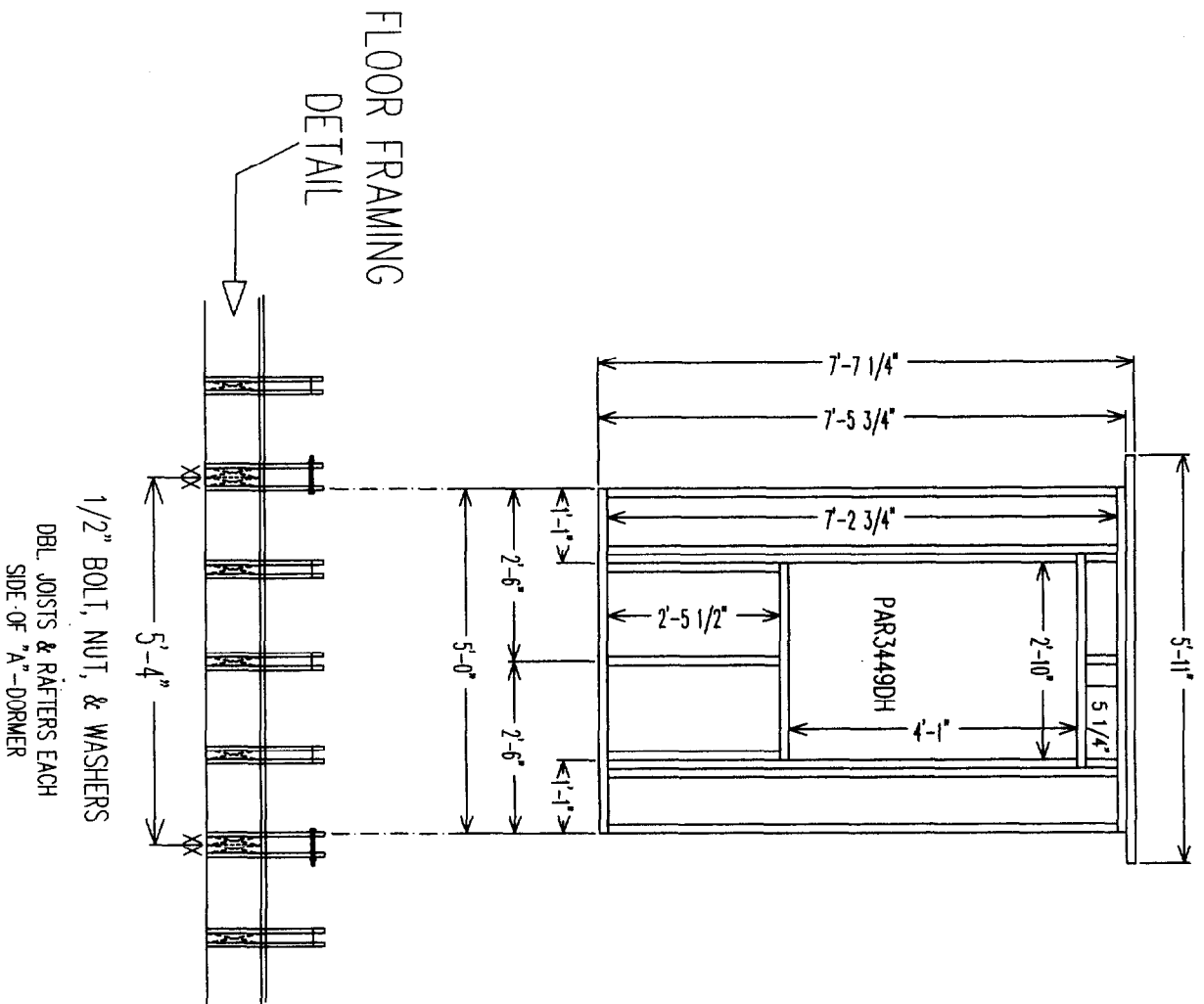
SCALE:  
3/8"=1'-0"

SHEET NO.  
P20



NEW 5'-0" (INSIDE DIMENSION)  
"A"-DORMER

DR.BY: SP 03-20-01



**KEISER**  
INDUSTRIES INC.  
P.O. BOX 9000 RTE. 121  
OXFORD, ME 04270  
TELE: (207) 539-8883  
FAX: (207) 539-4448

DWG NO.  
KIM 2676

LAYER NAME:  
ADORMR

DATE:  
10-13-03

27'-4 3/4" CAPE COMPONENTS  
5'-12/12 PITCH  
"A" DORMER  
FRONT AND SIDEWALL  
FRAMING DETAIL

DRAWN BY:  
SHERRY

FOR HELP CALL:  
EXT. 102

REVISIONS

DATE ITEM

SCALE:

3/8" = 1'-0"

SHEET NO.

P20.1

DWG NO.  
 KIM 2676

LAYER NAME:  
 A-DRMS

DATE:  
 10-13-03

27'-4 3/4" CAPE COMPONENTS  
 5'-12/12 PITCH  
 "A" DORMER  
 ROOF PLATES AND  
 RAFTER CUT LIST

DRAWN BY:  
 SHERRY

FOR HELP CALL:  
 EXT.102

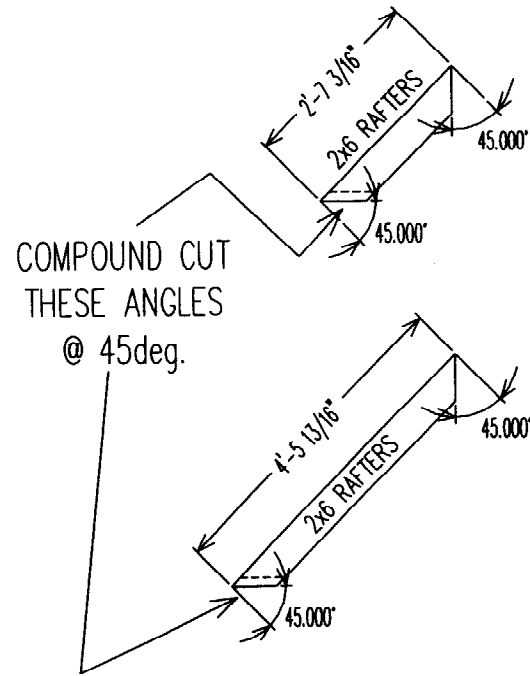
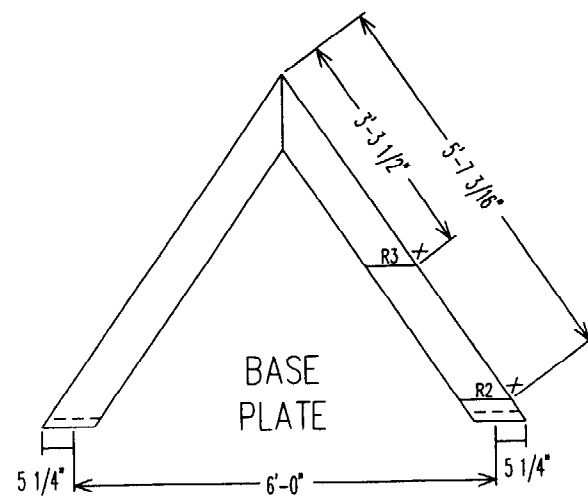
REVISIONS

DATE	ITEM

SCALE:  
 3/8" = 1'-0"

SHEET NO.

P20.2

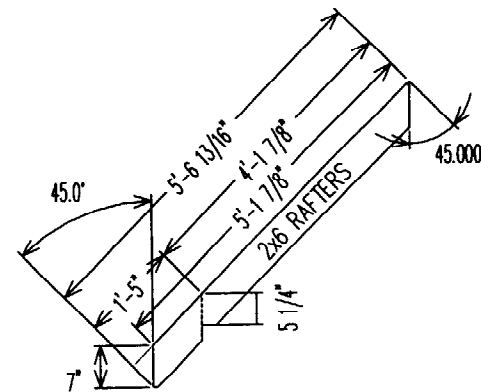


R3  
 RAFTER

R2  
 RAFTER

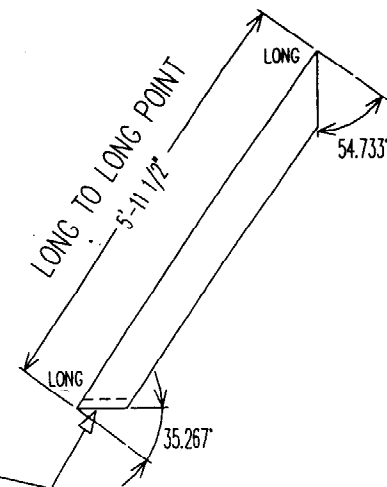
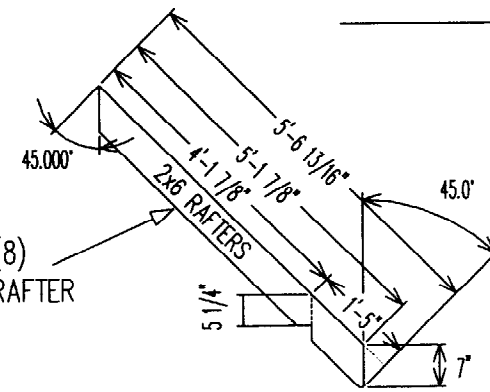
COMPOUND CUT  
 THESE ANGLES  
 @ 45deg.

CUT (1) RIGHT & (1) LEFT OF EACH OF THESE RAFTERS

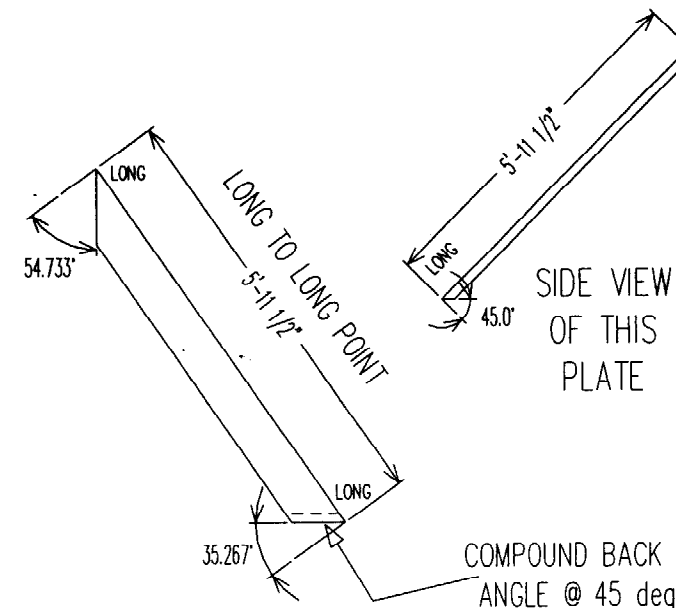


R1  
 RAFTER

CUT (8)  
 OF THIS RAFTER

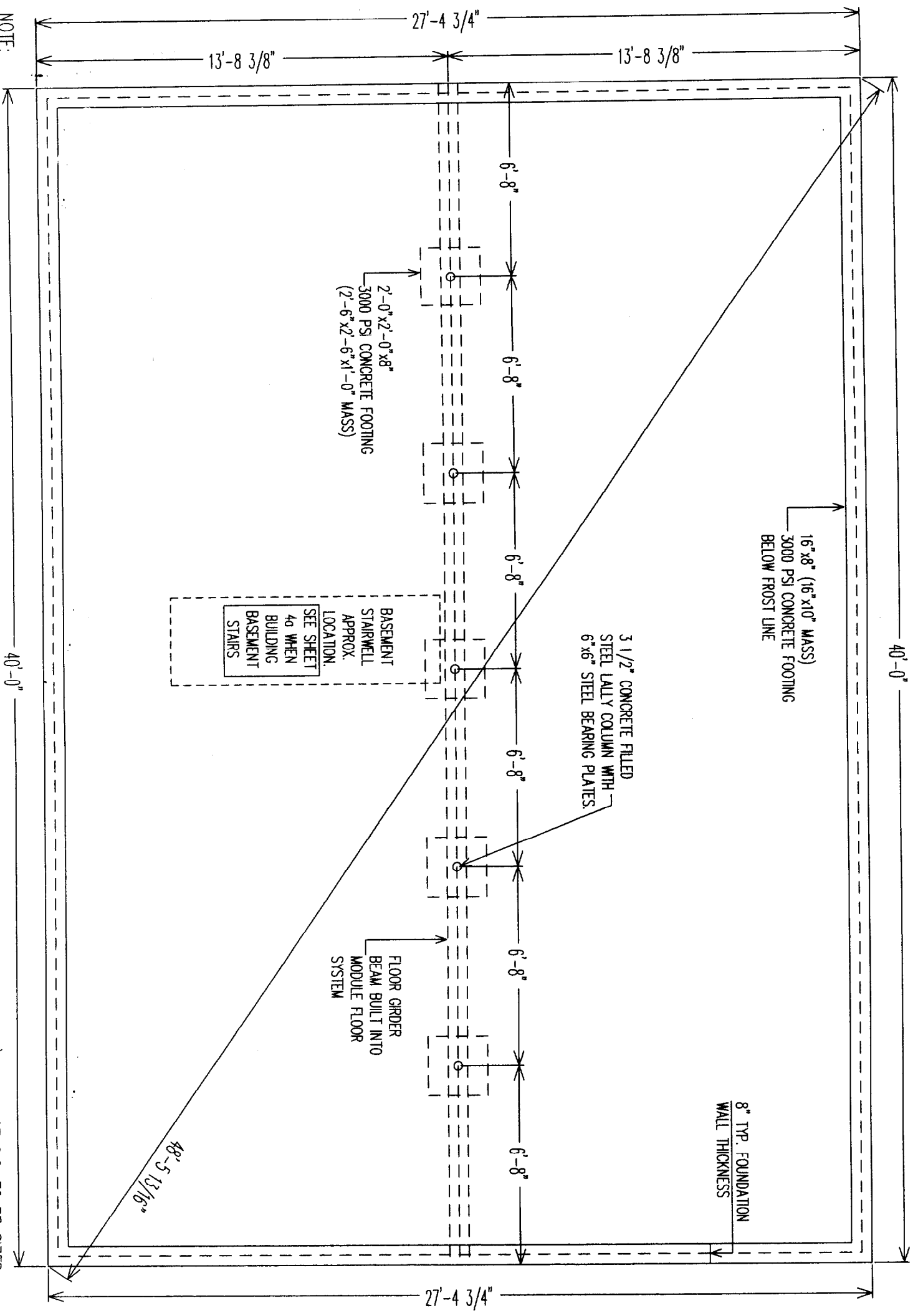


COMPOUND BACK CUT THIS  
 ANGLE @ 45 deg. ANGLE



COMPOUND BACK CUT THIS  
 ANGLE @ 45 deg. ANGLE

THIS PLAN CAN BE USED FOR FINAL CONSTRUCTION. - (9/22/03)  
 NOTE: REFER TO BUILDERS REFERENCE MANUAL FOR DETAILS AND SPECIFICATIONS.



NOTE:  
 1.) FOUNDATION DESIGN AS SHOWN ONLY SUGGESTIVE, ACTUAL FOUNDATION DESIGN SHALL BE BASED ON LOCAL SOIL CONDITIONS AND IN ACCORDANCE WITH LOCAL REQUIREMENTS.

2.) FOUNDATION HAS BEEN APPROVED FOR SUPPORT PLACEMENT ONLY. TIE DOWN, VENTILATION, ACCESS, AND FOUNDATION DESIGN SUBJECT TO LOCAL CODE OFFICIAL INSPECTION.

3.) FIREPLACE C.C. TO BE SIZED BY GENERAL CONTRACTOR.

4.) 3000 PSF. SOIL BEARING CAPACITY.

5.) CONCRETE COMPRESSIVE STRENGTH 3000 PSI. CAPACITY.

**KEISER**  
 INDUSTRIES INC.  
 P.O. BOX 9000 RTE. 121  
 OXFORD, ME 04270  
 TELE (207) 539-8883  
 FAX (207) 539-4446

DWG NO.  
 KIM2676

LAYER NAME:  
 FOUND

DATE:  
 9-22-03

FOUNDATION PLAN

DRAWN BY:  
 JT

FOR HELP CALL:  
 ext. 152

REVISIONS	DATE	ITEM

SCALE:  
 1/4" = 1'-0"

SHEET NO.  
 P21