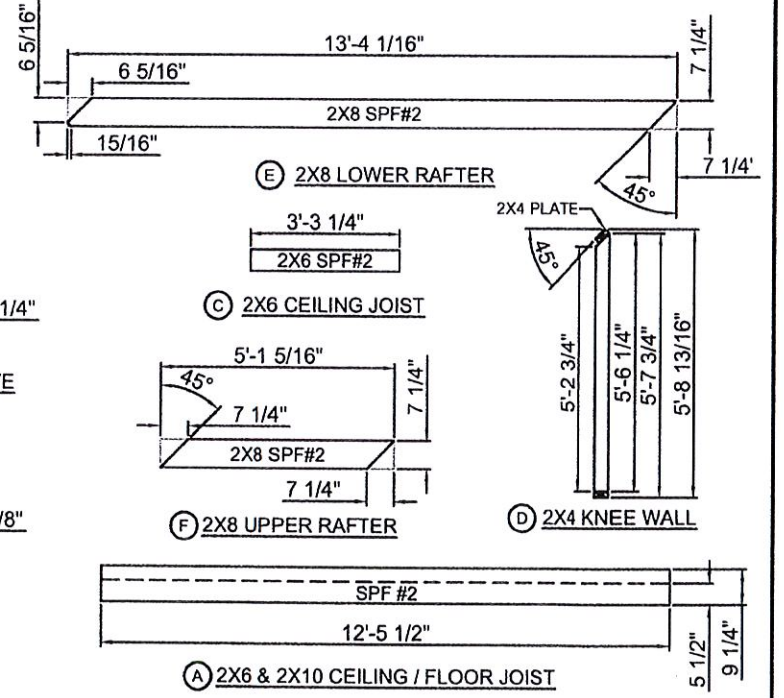
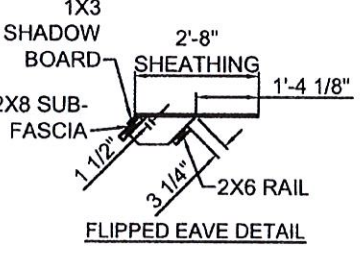
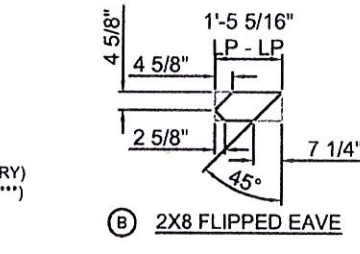
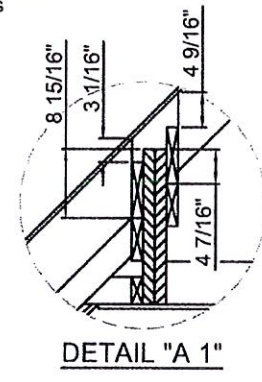
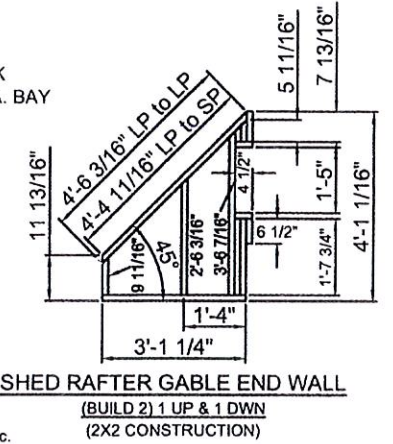
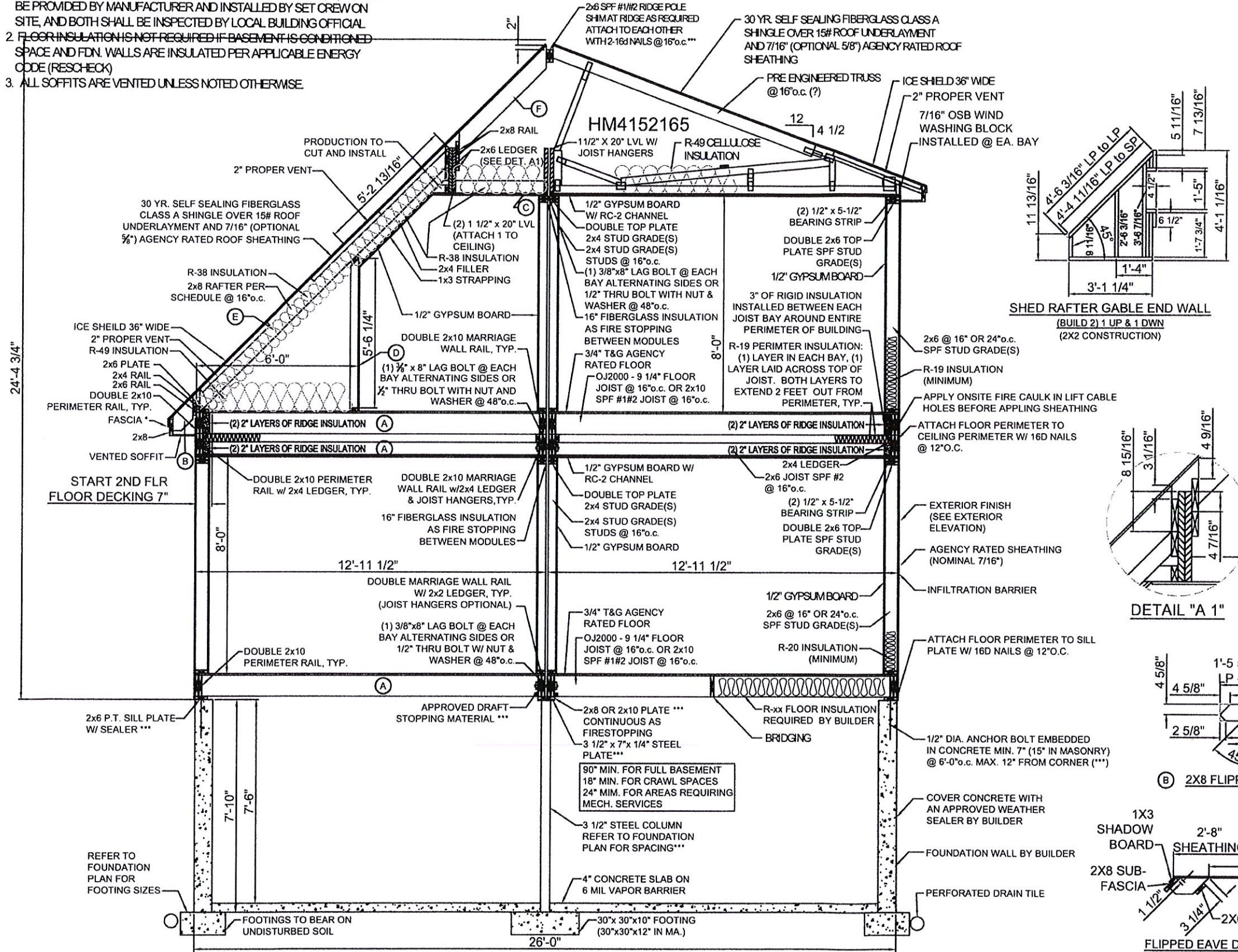


- ITEMS NOTED WITH A (\*) SHALL BE PROVIDED BY MANUFACTURER AND INSTALLED BY BUILDER ON SITE, ITEMS NOTED WITH A (\*\*\*) SHALL BE PROVIDED BY MANUFACTURER AND INSTALLED BY SET CREW ON SITE, AND BOTH SHALL BE INSPECTED BY LOCAL BUILDING OFFICIAL
- FLOOR INSULATION IS NOT REQUIRED IF BASEMENT IS CONDITIONED SPACE AND FDN. WALLS ARE INSULATED PER APPLICABLE ENERGY CODE (RESHECK)
- ALL SOFFITS ARE VENTED UNLESS NOTED OTHERWISE



T.R. ARNOLD & ASSOCIATES, INC. PO Box 1081 Ellsworth, ME 04801  
**MAINE**  
 State(s) \_\_\_\_\_  
 Accredited Evaluation and Inspection Agency  
 This document is certified as being in conformance with \_\_\_\_\_ LISTED CODES  
**Jul 5, 2016**  
 Approved By: *Kevin White*  
 Approval of this document does not authorize or approve any omission or deviation from the requirements of applicable State Laws.  
 TRA APPROVAL LIMITED TO FACTORY-BUILT MODULES ONLY.

JOB NAME <b>Purtell</b> Peaks Island, ME 04108 50# GSL / 90 MPH WIND	BUILDER <b>Hallmark Homes Corp</b> 619 Lewiston Road Topsham, ME 04086	HOUSE TYPE <b>4-Box Cape</b> FILE NAME: Q-16-0117-JML SERIAL #: KBS-2735	SECTIONS SHEET # P16a SCALE: 1/4" = 1'-0" DWN BY: SAT/ETW DATE: 06/22/16	REVISIONS 	 <b>KBS BUILDERS, INC.</b> 300 PARK STREET, SOUTH PARIS, ME 04281 PHONE: 207-739-2400 FAX: 207-739-2223
---	---	---	--	---------------	--