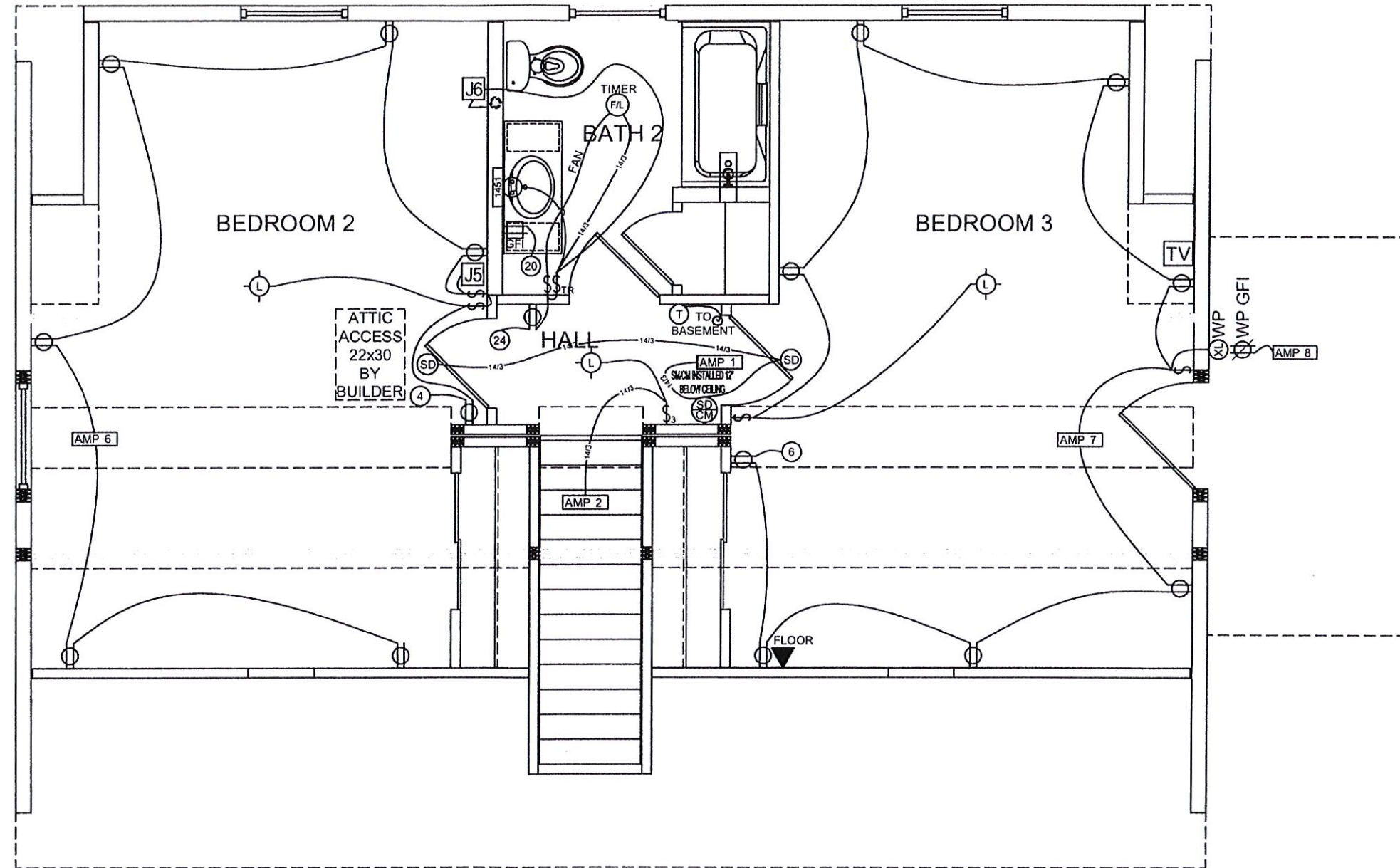


T.R. ARNOLD & ASSOCIATES, INC. PO Box 1081 Ellsworth, ME 04801
 State(s) MAINE
 Accredited Evaluation and Inspection Agency
 This document is certified as being in conformance
 with LISTED
 CODES

Jul 5, 2016

Approved By: *Kermit White*
 Approval of this document does not authorize or approve
 any omission or deviation from the requirements of
 applicable State Laws.
 TRA APPROVAL LIMITED TO
 FACTORY-BUILT MODULES ONLY.



BOX "C"

**SEPARATE ANY NEUTRAL WIRES
 THAT ARE IN A DBL / TRIPLE GANG
 BOX THAT ARE NOT ON THE SAME CIRCUIT**

BOX "D"

TAMPER RESISTANT RECEPTS.

HARVEY WINDOWS

8'-0" CEILINGS

R20 DENSE PACK INSULATION @ EXTERIOR WALLS
 INSULATE BATHROOM WALLS WITH R11

J5 TO ATTIC LIGHTS AMP 1 TO 1ST FLR SMKS
 J6 TO FUT. RADON VENT AMP 2 TO 1ST FLR LIGHT
 AMP 8 TO 1ST FLR EXTERIOR GFI LIG

Purtell
 Peaks Island, ME 04108
 50# GSL / 90 MPH WIND

Hallmark Homes Corp
 619 Lewiston Road
 Topsham, ME 04086

4-Box Cape
 FILE NAME: Q-16-0117-JML
 SERIAL #: KBS-2735

2nd FLOOR ELECTRIC
 SHEET # P7a
 SCALE: 1/4" = 1'-0"
 DWN BY: SAT/ETW
 DATE: 06/22/16

REVISIONS



KBS BUILDERS, INC.
 300 PARK STREET, SOUTH PARIS, ME 04281
 PHONE: 207-739-2400 FAX: 207-739-2223