



Toll Free: 888-825-3432 - Distributor Log In U.S. [English]
[View Mobile Site](#)

[Go](#)
[Advanced Search](#)

- [Home](#)
- [About](#)
- [Clamps & Brackets](#)
- [Solar](#)
- [Snow Retention](#)
- [Utility](#)
- [Calculator](#)
- [Downloads](#)
- [PR](#)

[Introduction](#)

[Applications/Uses](#)

S-5!® Clamps

[Introduction](#)

[S-5-U](#)

[S-5-S](#)

[S-5-E](#)

[Introduction](#)

[S-5-E](#)

[S-5-E Mini](#)

[S-5-B](#)

[S-5-V](#)

[S-5-T](#)

[S-5-Z](#)

[S-5-Q](#)

[S-5-H](#)

[S-5-H90](#)

[S-5-K700](#)

[S-5-KHD](#)

[S-5-K Grip](#)

[S-5-K Grip Snow](#)

[S-5-N](#)

[S-5-N 1.5](#)

[S-5-T2](#)

[S-5-R465](#)

[Flanged Clamps](#)

[FAQs](#)

[VersaBracket™](#)

[VersaGard™](#)

[CorruBracket™](#)

[CorruBracket™ 100T](#)

[TopFix CorruBracket-AU™](#)

[ProteaBracket™](#)

[RibBracket™](#)

[Product Catalog](#)

[Load Test Results](#)

[Panasonic Assembly Tools](#)

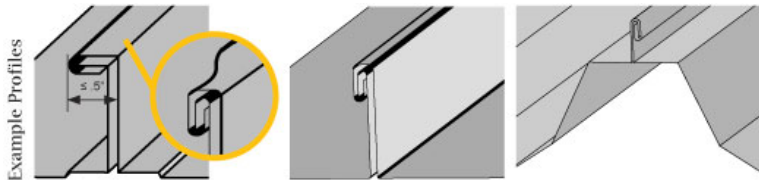
[Installation](#)

[FAQs](#)

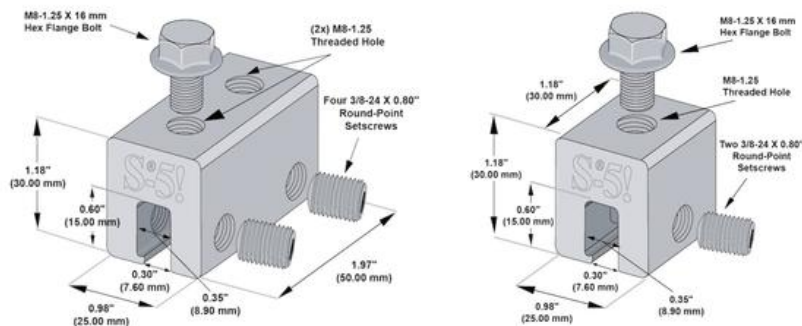
S-5-E and S-5-E Mini

The S-5-E clamp is designed specially for double-folded standing seam roof profiles having the appropriate dimensioning. This clamp is also the one recommended for Butler's MR24™.

Although a bit smaller and less expensive than the S-5-U, for these profiles, the S-5-E is just as strong. [Click here for seam details.](#)



For horizontal seams under .5" crimp the seam to 180 degrees at desired clamp location. This illustration demonstrates crimping technique, NOT actual location of clamp.



The S-5-E and S-5-E Mini clamps are each furnished with the hardware shown above. Each box also includes a bit tip for tightening setscrews using an electric screw gun. A structural aluminum attachment clamp, the S-5-E is compatible with most common metal roofing materials excluding copper. All included hardware is stainless steel.

[Click here](#) for more details on the **S-5-E**

[Click here](#) for more details on the **S-5-E Mini**

[View Load Test Results for the S-5-E](#)

[View Load Test Results for the S-5-E Mini](#)

**Design Your
ColorGard® Project**

**See How Easy S-5!
is to install!**

**How Strong is S-5?
Load Test Results**

[S-5!® Solutions](#) | [Snow Retention Systems](#) | [Metal Roof Attachment](#) | [Contact Us](#) | [Distributor Info](#) | **WARNING!**



COPYRIGHT © 2015 S-5!

Website support provided by **rabble+rouser**

Terms of Use which are legally binding upon you, govern your use of this site and any products manufactured by Metal Roof Innovations, Ltd., and provide rules that prohibit unlawful use or copying of any part of this site. By using this site, you agree to abide by the **Terms of Use**.

S-5!® products are protected by multiple U.S. patents including 5,228,248, 5,983,588 and 6,164,033 (others issued and pending). European patents are also applied for and pending under the Patent Cooperation Treaty with divisional filing rights retained. Metal Roof Innovations, Ltd. (licensor of S-5!® technology) aggressively prosecutes patent infringement. S-5, S-5!, ColorGard, SnoFence, SnoRail, VersaBracket and SnoClip are trademarks owned by Metal Roof Innovations, Ltd.