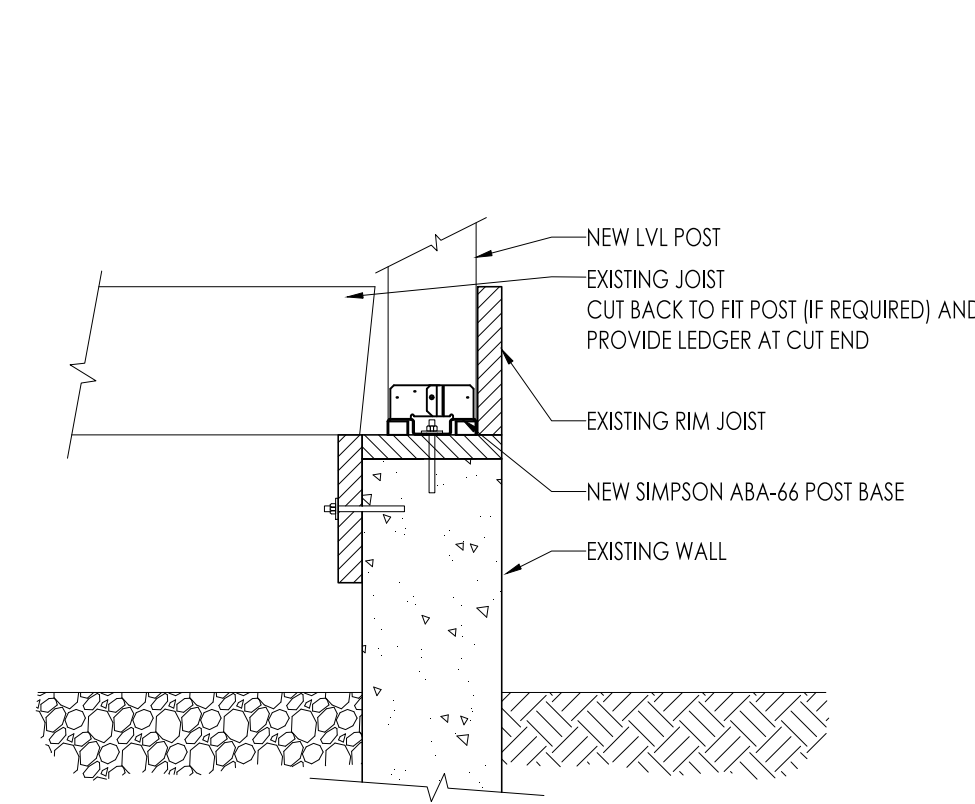




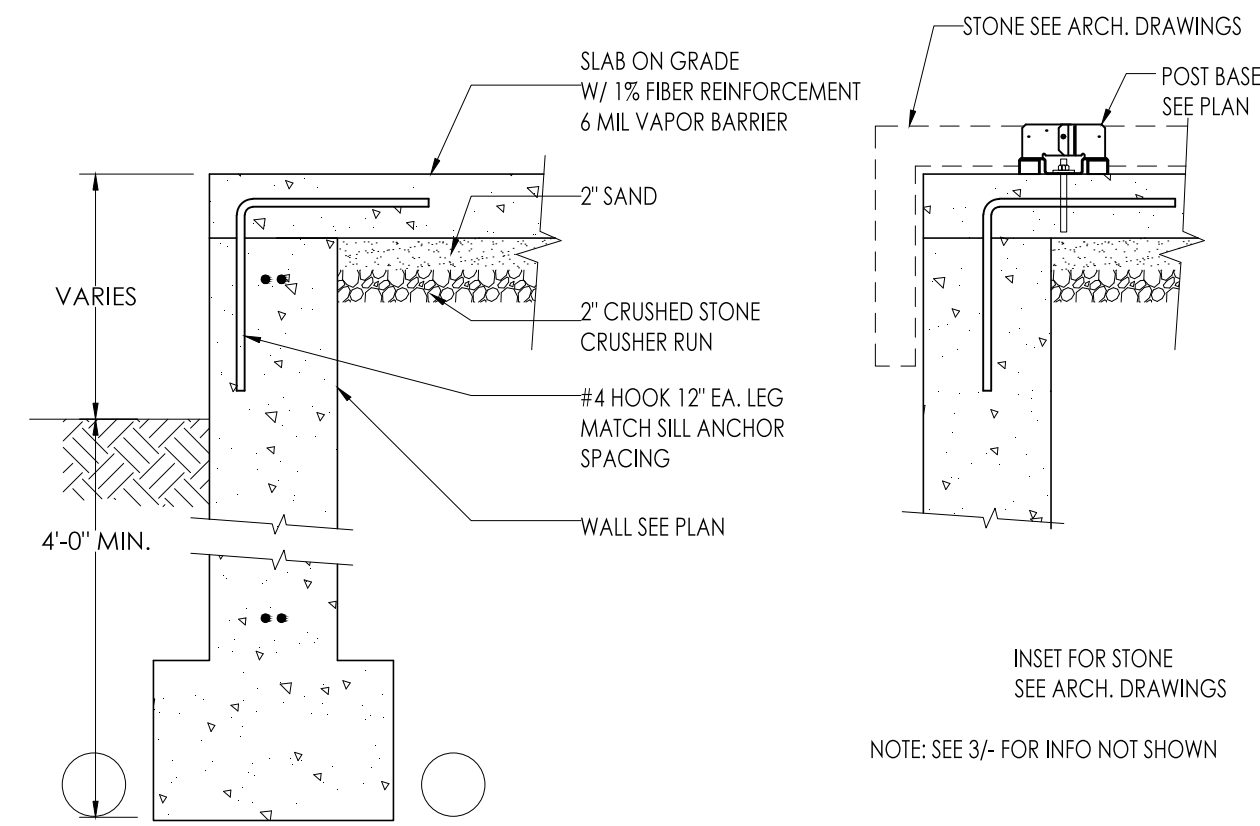
ANDREW M. JACKSON, P.E.
JACKSON ENGINEERING
11 LUTHER STREET
PEAKS ISLAND, ME 04108
207-200-6106
JXENGINEERING.COM

professional seal

consultants

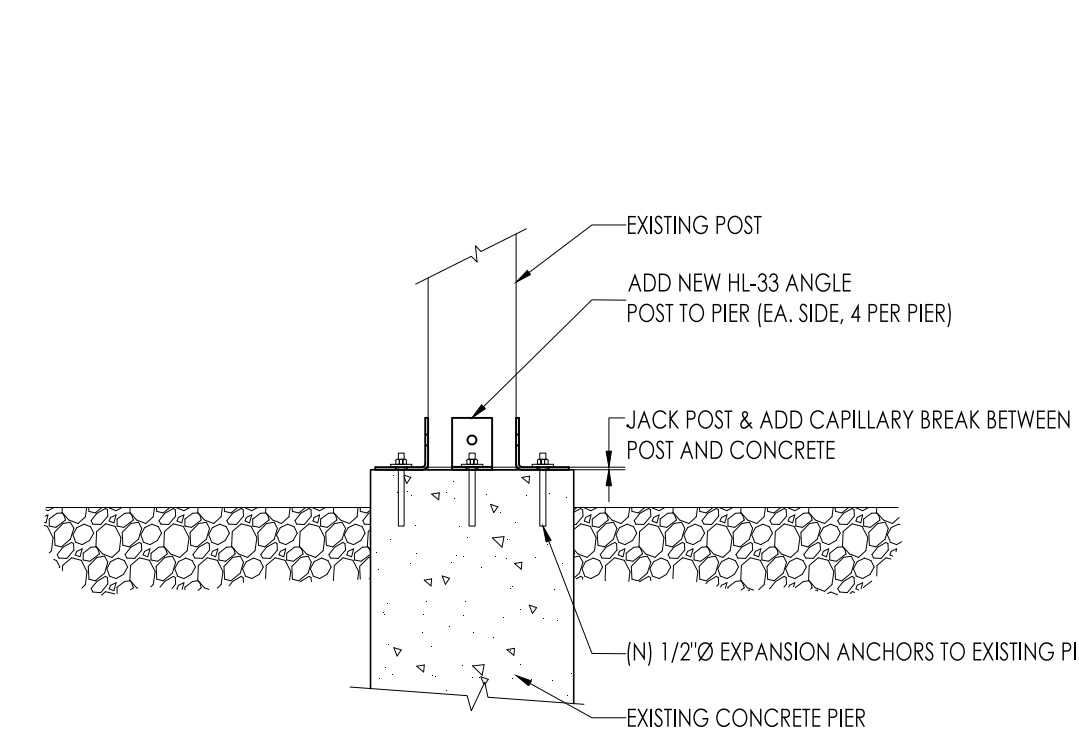


4 DETAIL
SCALE: 1" = 1'-0"

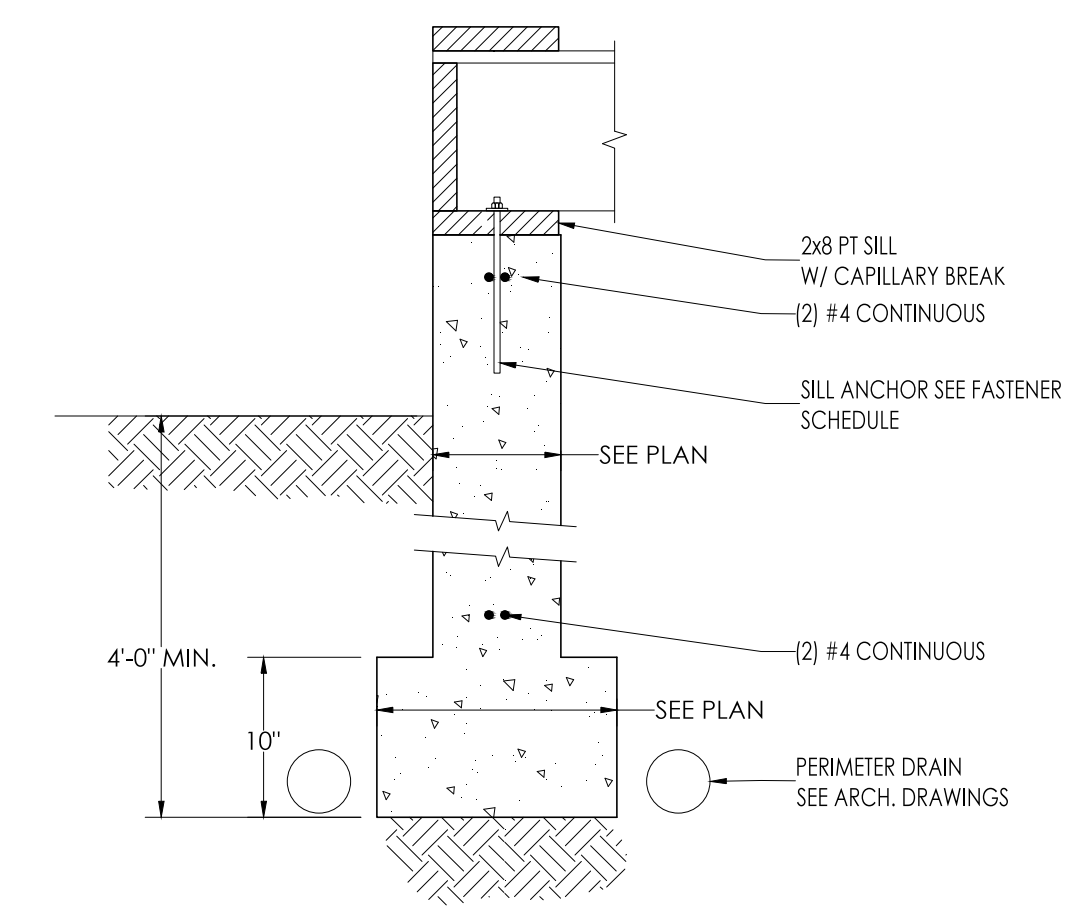


3 DETAIL
SCALE: 1" = 1'-0"

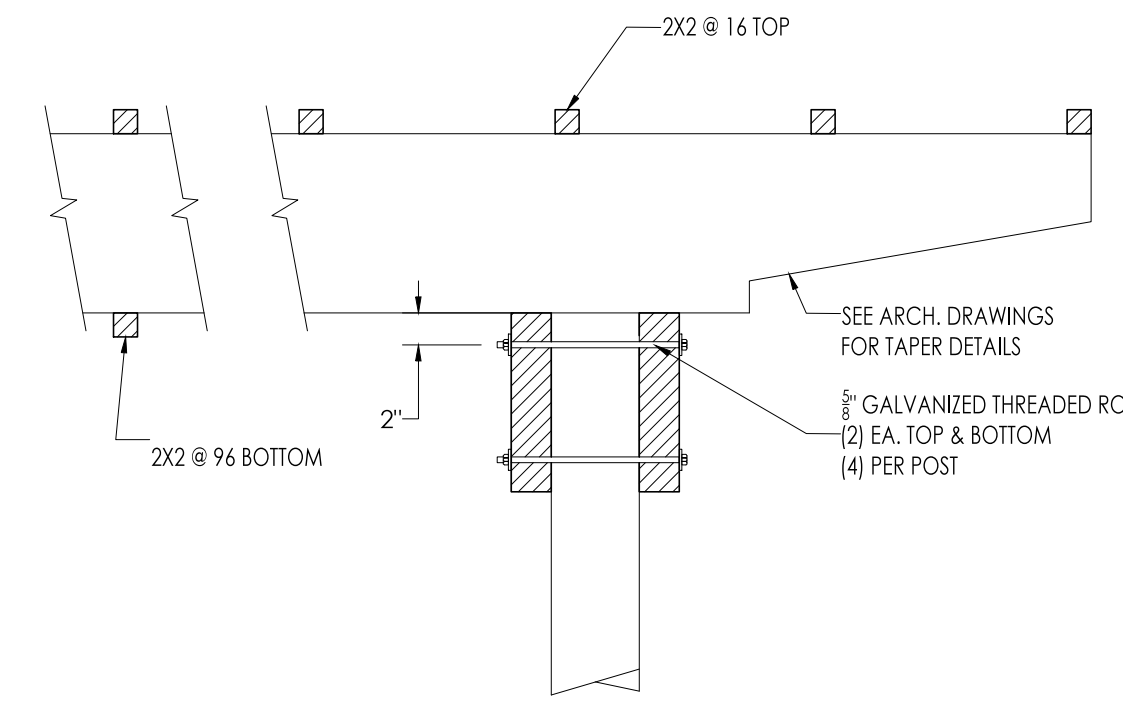
3A DETAIL
SCALE: 1" = 1'-0"



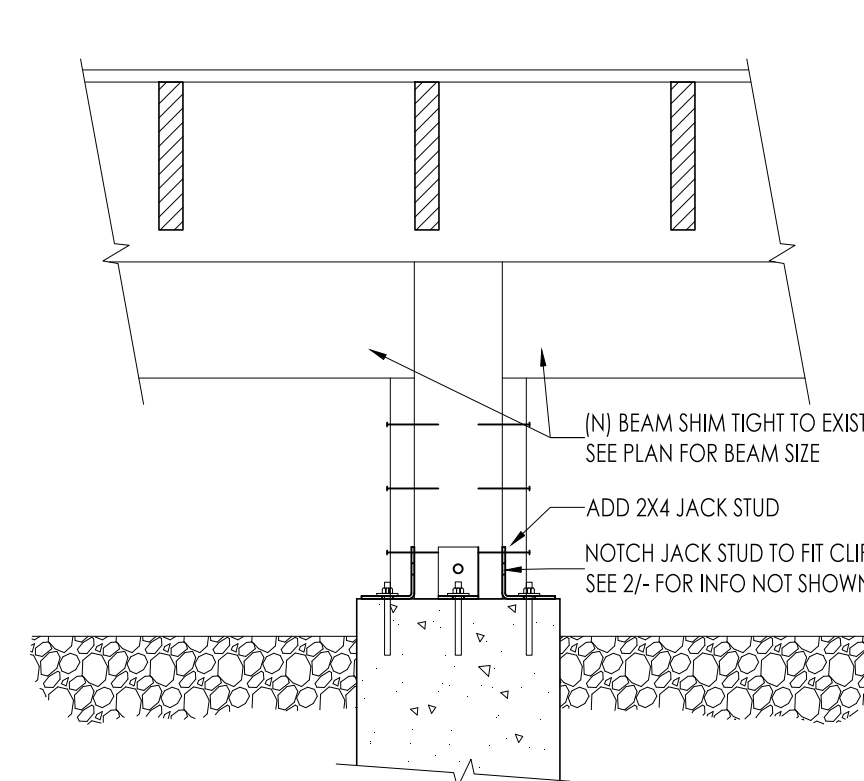
2 DETAIL
SCALE: 1" = 1'-0"



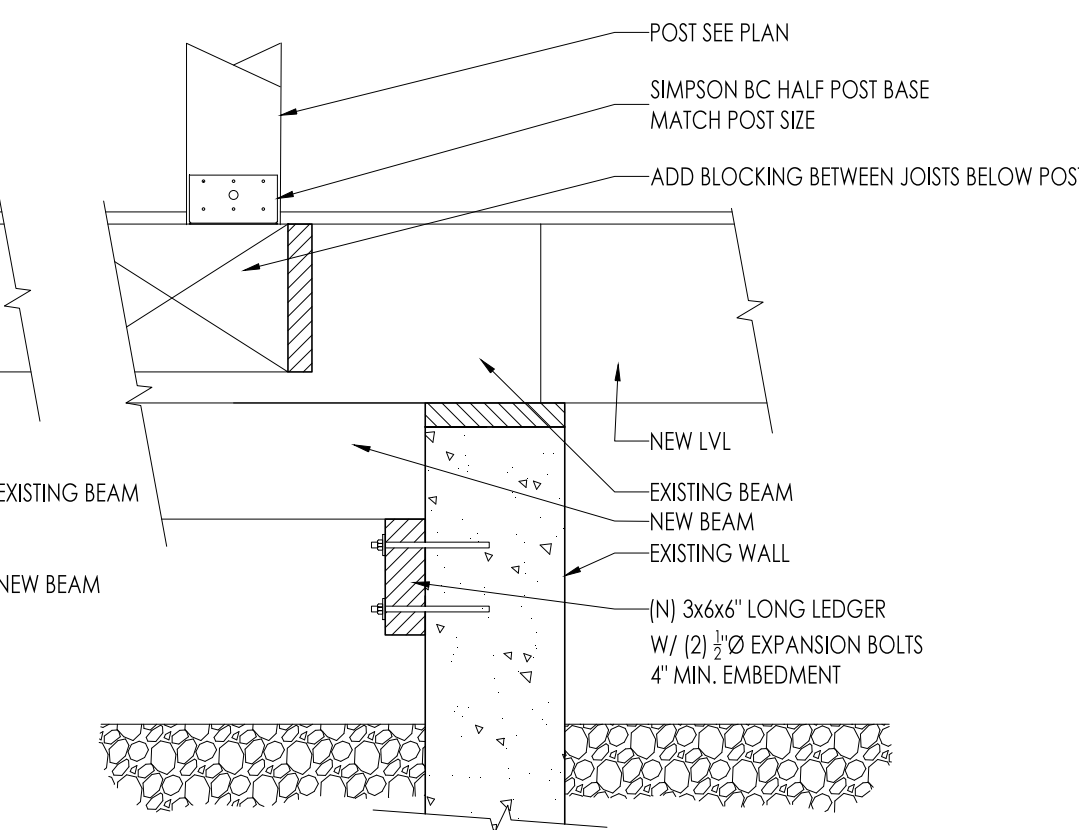
1 DETAIL
SCALE: 1" = 1'-0"



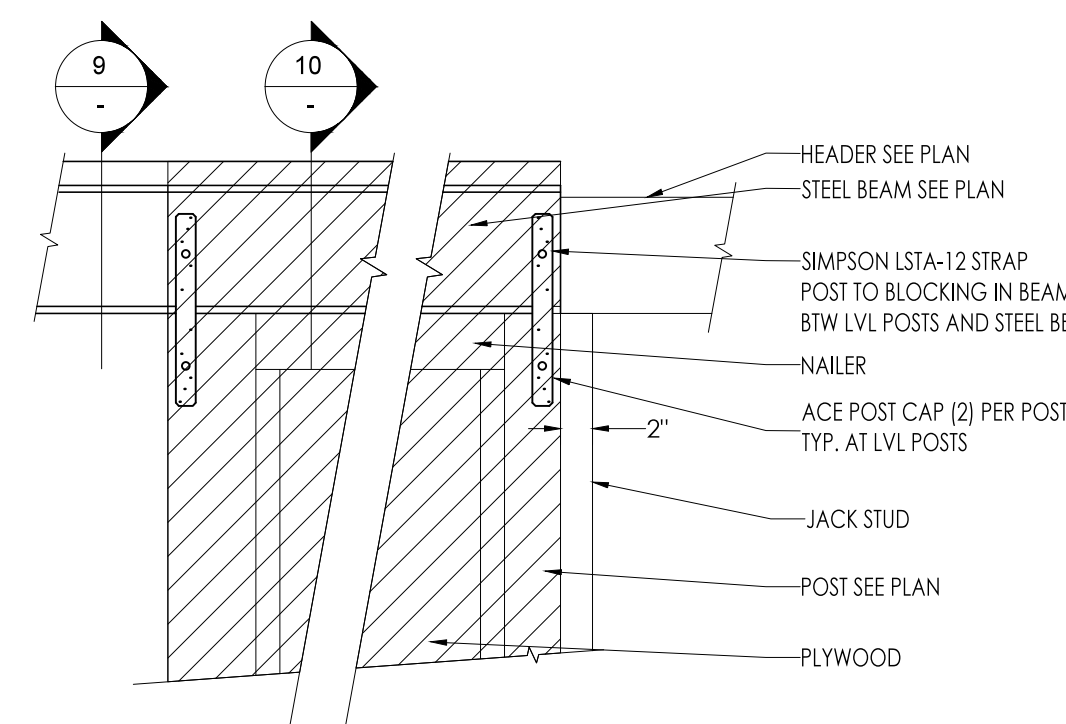
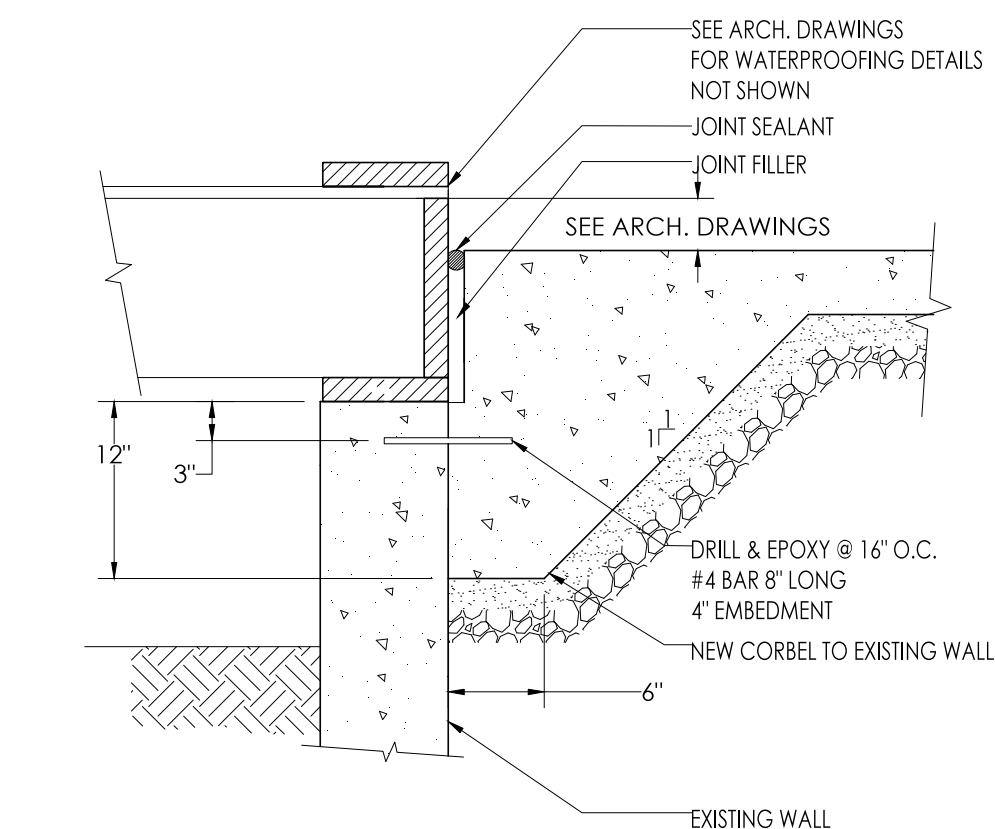
7 DETAIL
SCALE: 1" = 1'-0"



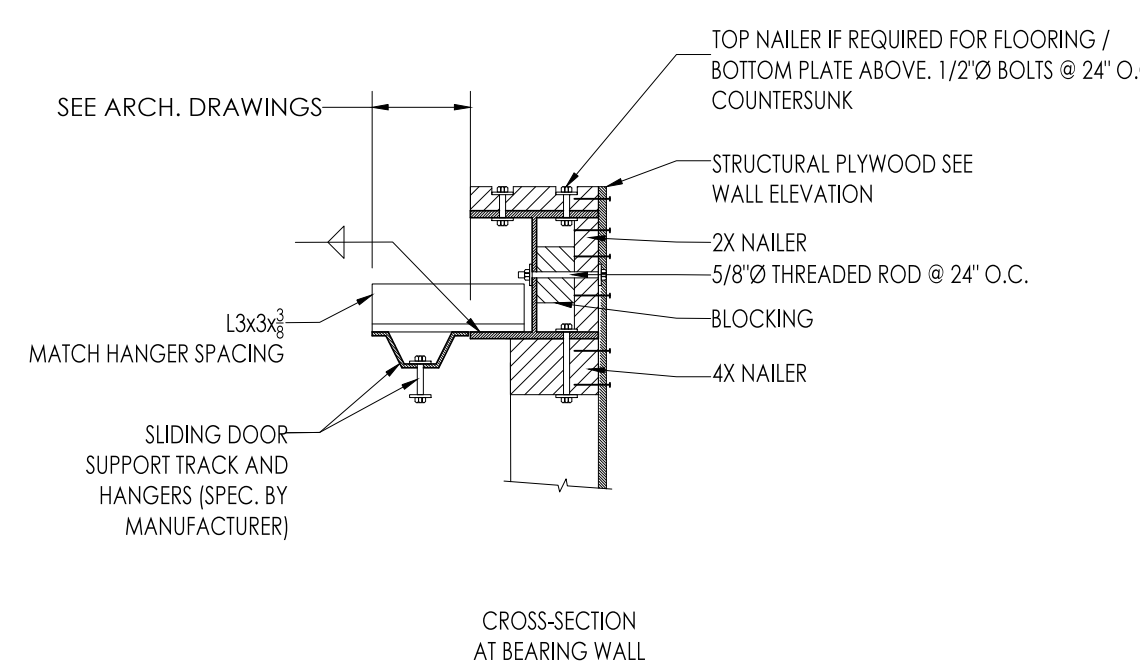
6 DETAIL
SCALE: 1" = 1'-0"



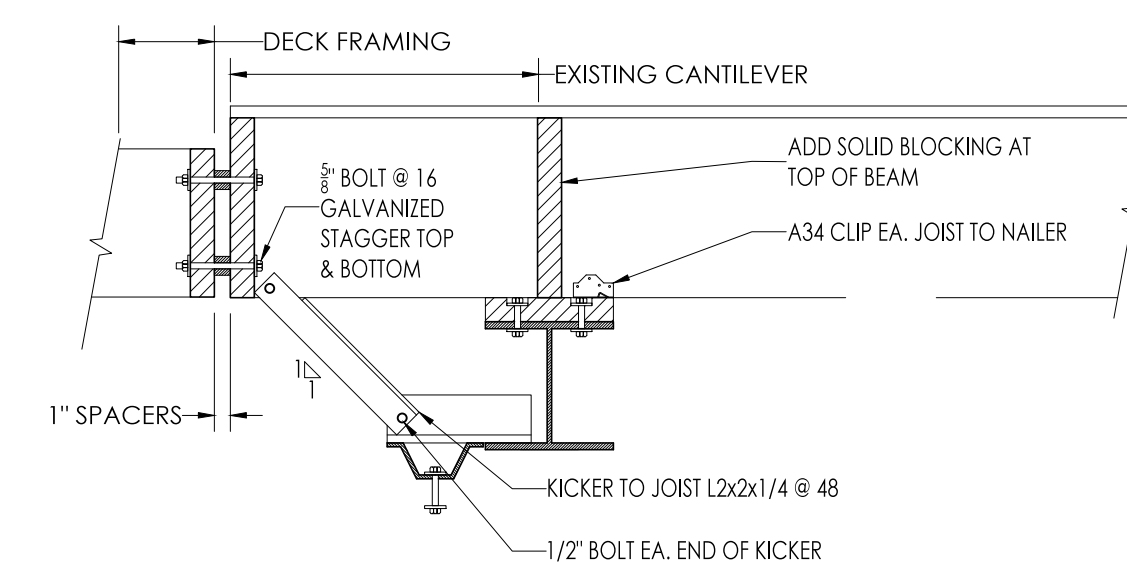
5 DETAIL
SCALE: 1" = 1'-0"



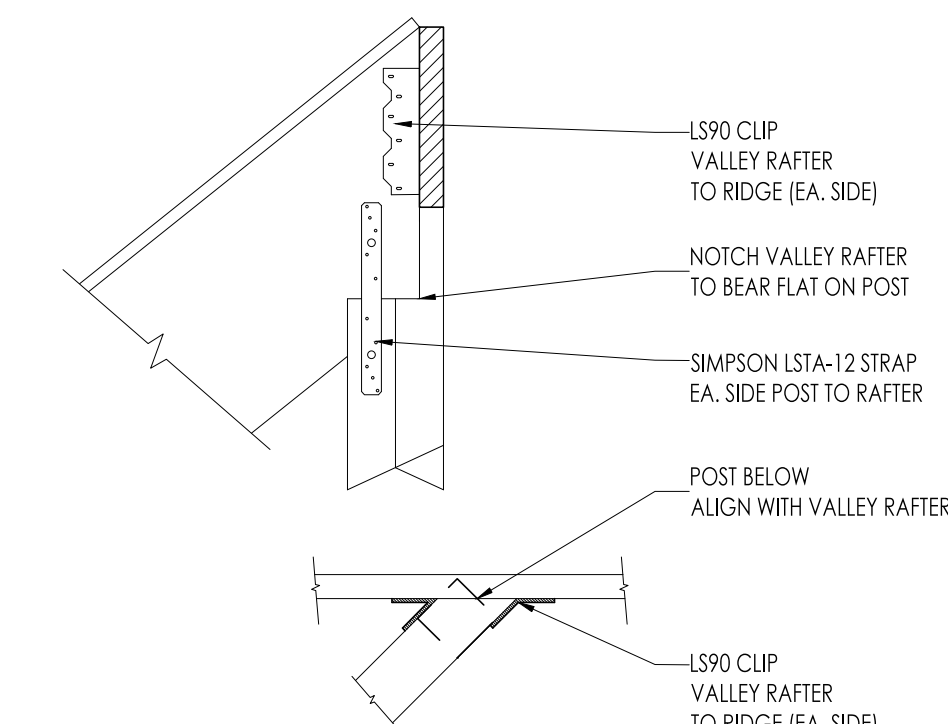
11 DETAIL
SCALE: 1" = 1'-0"



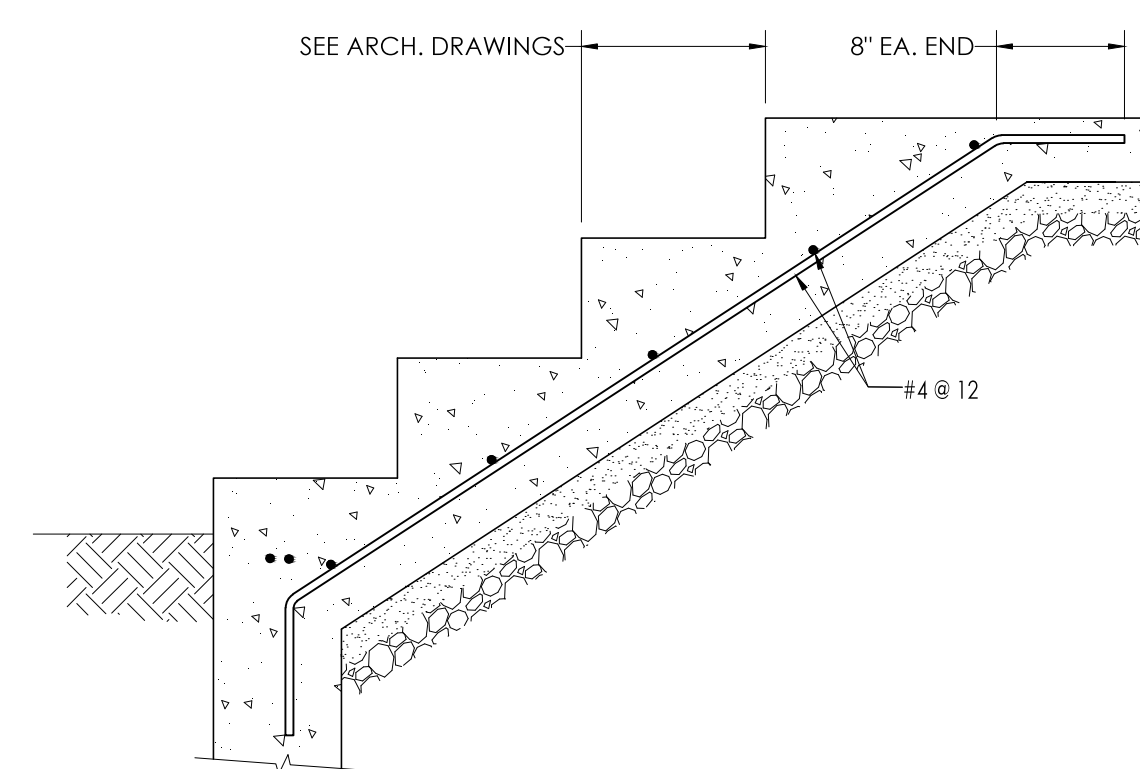
10 DETAIL
SCALE: 1" = 1'-0"



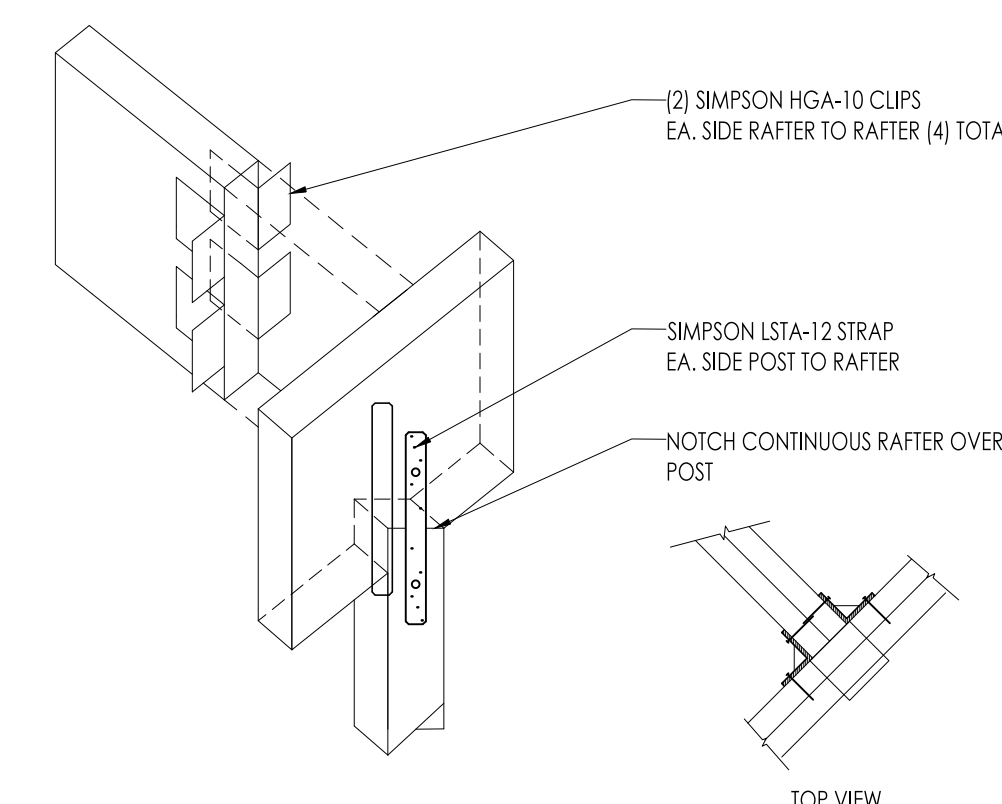
9 DETAIL
SCALE: 1" = 1'-0"



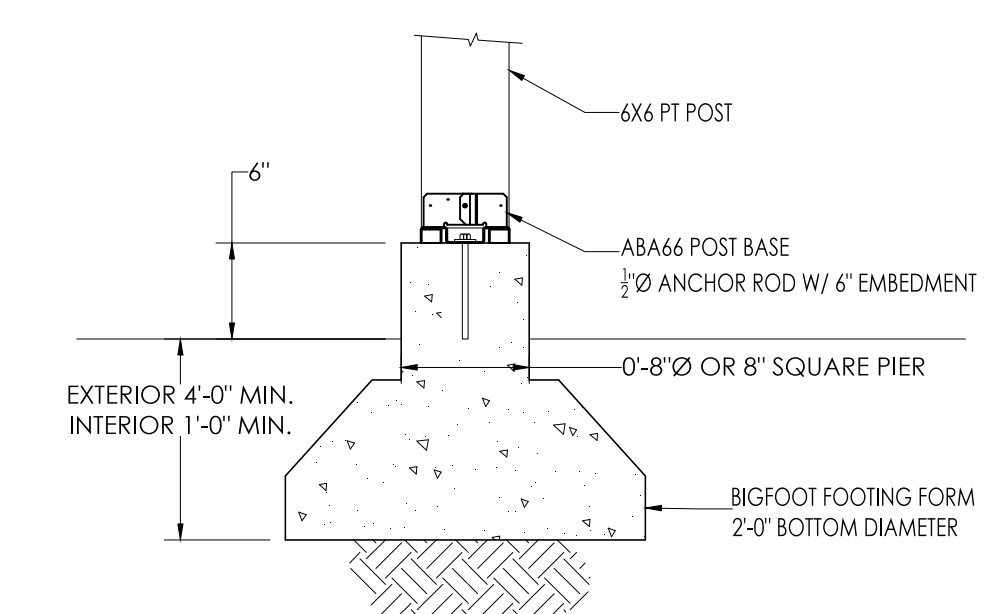
8 DETAIL
SCALE: 1" = 1'-0"



14 DETAIL
SCALE: 1" = 1'-0"



13 DETAIL
SCALE: 1" = 1'-0"



12 DETAIL
SCALE: 1" = 1'-0"

ISSUE DATE

100% CONSTRUCTION DOCUMENTS 07.14.2014

COORDINATION 04.30.2014

DATE: 04.30.2014

SCALE: AS NOTED

STRUCTURAL DETAILS

S2.0