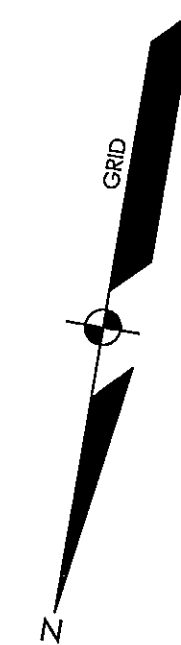
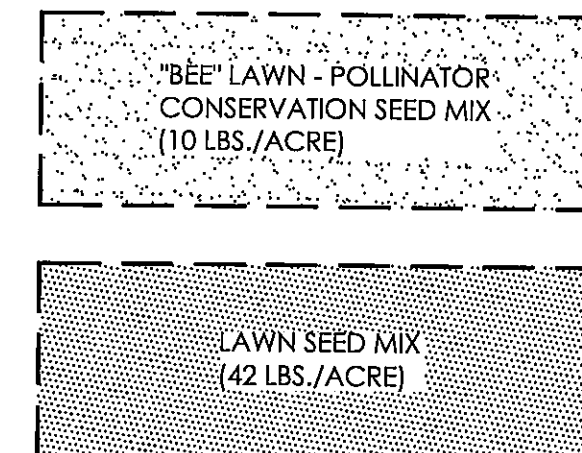


PLANTING SCHEDULE

KEY	BOTANICAL NAME / COMMON NAME	SIZE / REMARKS
PF	PINUS F. 'VANDERWOLF'S PYRAMID' / VANDERWOLF PINE	6 FT - 1.5" MIN CALIPER 54" ABOVE ROOT BALL
PG	PICEA G. 'DENSATA' / BLACK HILLS SPRUCE	6 FT - 1.5" MIN CALIPER 54" ABOVE ROOT BALL
PP	PICEA P. 'SESTER DWARF' / DWARF SPRUCE	NO. 10 CONTAINER

NOTE: PF AND PG TREES ARE SPECIFIED TO REPLACE TREES REMOVED WITHIN SHORELAND ZONE. SEE DEMOLITION PLAN FOR CALCULATIONS.

SEED MIX LEGEND



DESIGNED	CHECKED
WTC	WTC

ISSUED FOR PERMITS
 DATE: 08-07-14
 STATUS: A
 BY: WTC

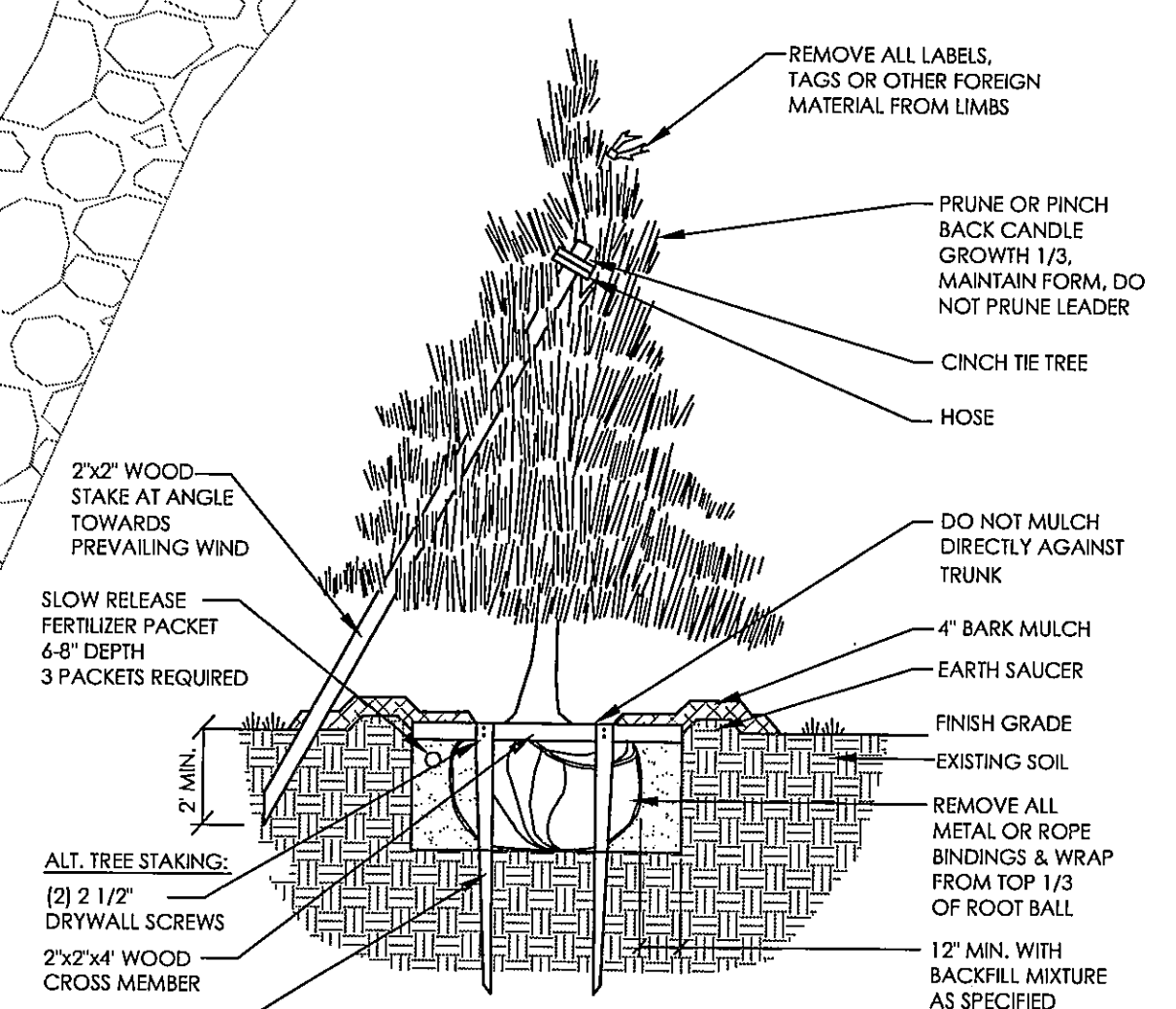
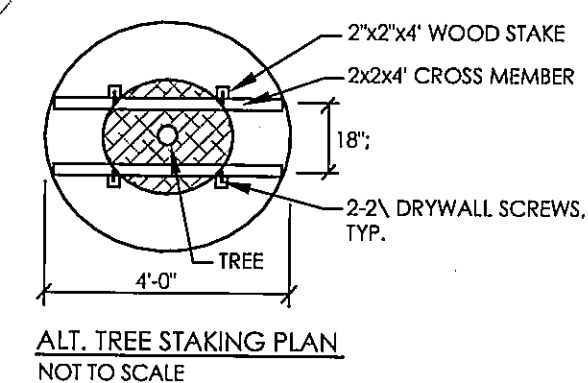
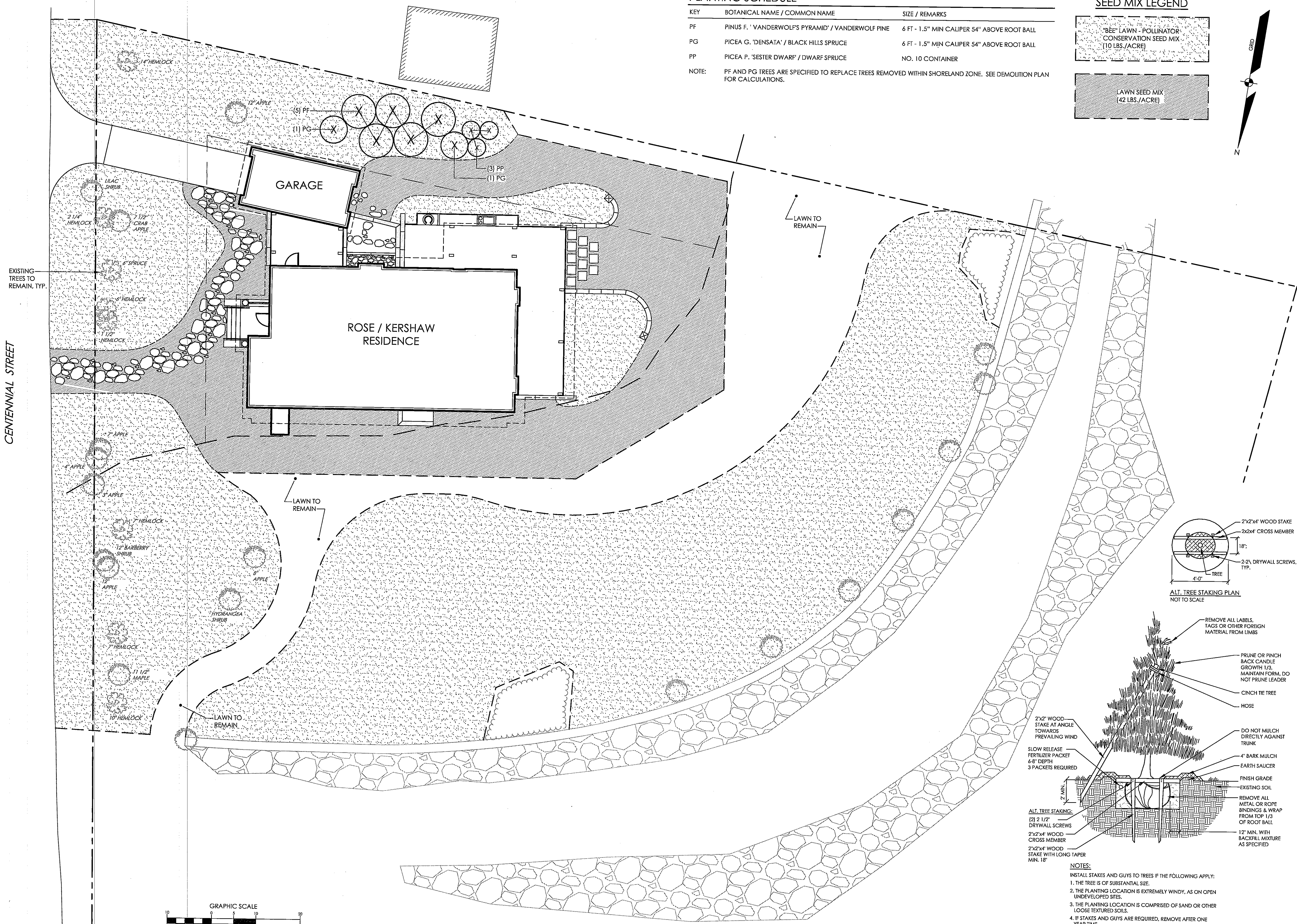
THIS PLAN SHALL NOT BE MODIFIED WITHOUT WRITTEN PERMISSION FROM SEBAGO TECHNIQS, INC. ANY ALTERATIONS, AUTHORIZED OR OTHERWISE, SHALL BE AT THE USER'S SOLE RISK AND WITHOUT LIABILITY TO SEBAGO TECHNIQS, INC.

SEBAGO
 TECHNICS
 WWW.SEBAGOTECHNIQS.COM
 75 John Roberts Rd., Suite 1A Lewiston, ME 04240
 800-223-1106
 TEL: 207-209-9100
 FAX: 207-209-9100

LANDSCAPE RESTORATION PLAN
 OF:
 ROSE / KERSHAW RESIDENCE
 60 CENTENNIAL STREET
 PEAKS ISLAND, MAINE
 FOR:
 PETER ROSE & ALICIA KERSHAW
 95 KERSHAW STREET, APT. 4
 NEW YORK, NY 10013

PROJECT NO.	SCALE
14186	1" = 10'

SHEET 5 OF 7



- NOTES:**
- INSTALL STAKES AND GUYS IF THE FOLLOWING APPLY:
 1. THE TREE IS OF SUBSTANTIAL SIZE.
 2. THE PLANTING LOCATION IS EXTREMELY WINDY, AS ON OPEN UNDEVELOPED SITES.
 3. THE PLANTING LOCATION IS COMPRISED OF SAND OR OTHER LOOSE TEXTURED SOILS.
 - IF STAKES AND GUYS ARE REQUIRED, REMOVE AFTER ONE YEAR TIME.

DECIDUOUS TREES	UNDER 2" CALIPER OR UNDER 8' IN HEIGHT
EVERGREEN TREES	7'-0" IN HEIGHT & UNDER

NOT TO SCALE

