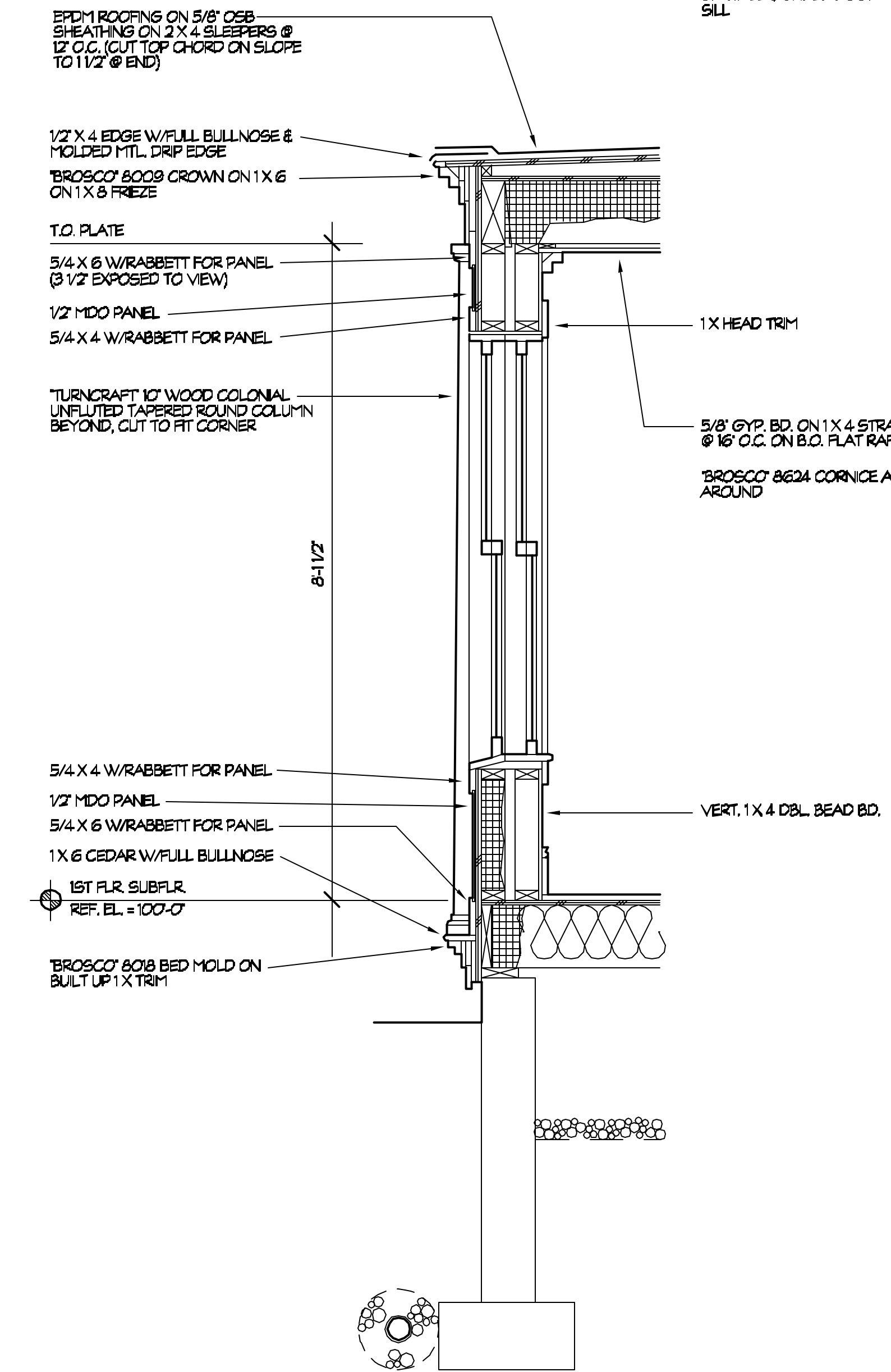
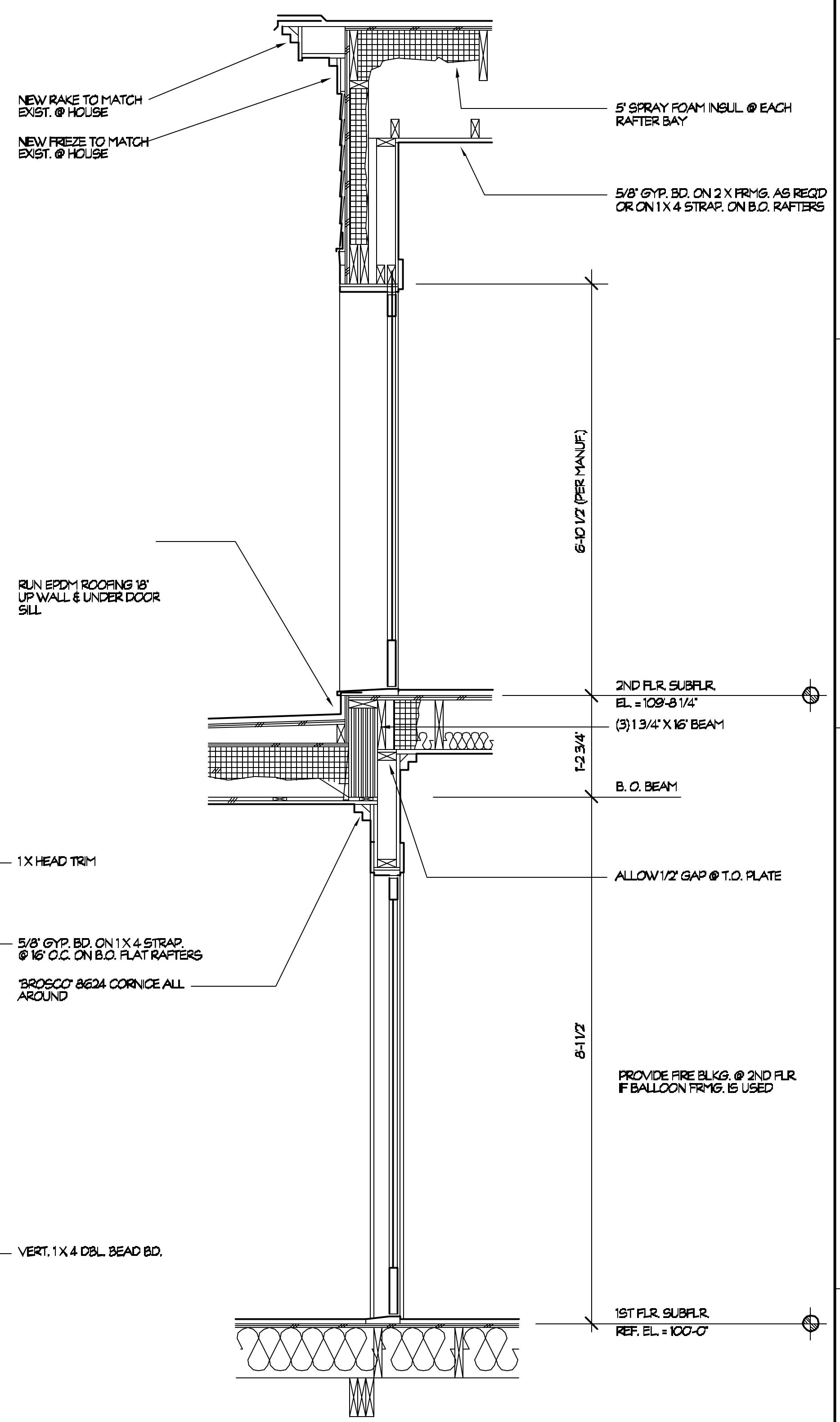


2 WALL SECTION @ DORMER
SCALE: 3/4" = 1'-0"



2 WALL SECTION @ SUNROOM
SCALE: 3/4" = 1'-0"



1 WALL SECTION @ SUNROOM
SCALE: 3/4" = 1'-0"

<p>gwdesign 26 GROVE STREET ROCKLAND 207.975.5545 gwdesign@rockerdome.com</p>	<p>MY ROSE COTTAGE 14 CENTENNIAL STREET PEAKS ISLAND MAINE</p>	<p>WALL SECTIONS</p>
<p>SHEET NO. A4.2</p>	<p>DATE: 11 MAY 10 REV.: 2 SEP 200</p>	<p>JOB NO.:</p>