

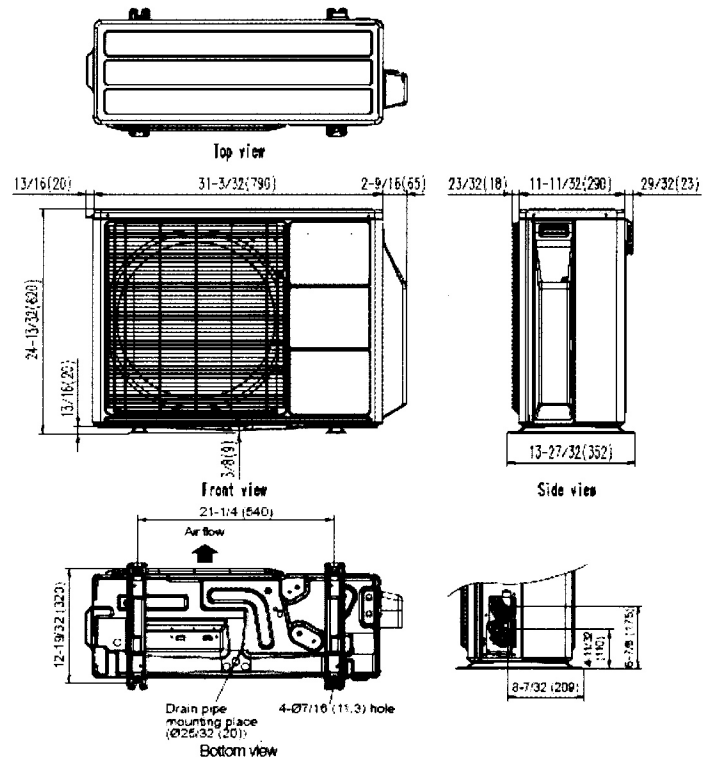
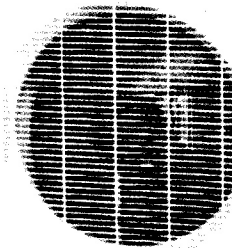
12RLS2 Submittal



AOU12RLS2, ASU12RLS2 Inverter Driven Heat Pump

Job Name: Jeanne Julnick / Mark Sheen Approval: _____
 Location: 5 Willow Street, Peaks Island Date: _____
 Engineer: n/a Construction: _____
 Submitted to: City of Portland Unit #: _____
 Submitted by: Hoggin Energy Drawing #: _____
 Reference: n/a

Outdoor Unit Power	208-230VAC-1Ph-60Hz	
Available Voltage Range	187-253VAC	
Fuse Size, Max.	20A	
IACA	10.5A	
Compressor	Inverter Driven Variable Speed DC Rotary	
No. used	1	
Output	850W	
Lubricant Oil	POE (RB68)	
Fan type	Propeller	
Motor Output	115W	
Airflow Rate	Cooling/Heating (High)	1206 / 1082CFM
Refrigerant	R410A	
Outdoor Unit	2lbs 10oz	
Control	Electronic Expansion Valve	
O.D. Discharge	(in)	1/4" (Flare)
O.D. Suction	(in)	3/8" (Flare)
Dimensions	H x W x D	
Uncrated	(in)	24-1/2 x 31-3/32 x 11-11/32
	(mm)	(620 x 790 x 290)
Crated	(in)	28-1/16 x 37-7/32 x 15-9/16
	(mm)	(713 x 945 x 395)
Weight	Outdoor	
Net	84lbs (38kg)	
Gross Shipping	93lbs (42kg)	
Cooling		
Rated Capacity	12,000BTU/h	
Min-Max Capacity	3,100~13,600BTU/h	
Rated Power Input	3.52kw	
Max. Power Input	4.00kw	
SEER	25	
Outdoor Sound Rating	49dB	
Heating		
Rated Capacity	16,000BTU/h	
Min-Max Capacity	3,100~22,100BTU/h	
Rated Power Input	4.69kw	
Max. Power Input	6.5k0w	
HSPF	12	
Outdoor Sound Rating	50dB	
Piping Lengths		
Max. Piping Length (Total)	66ft	
Max. Pipe Height Difference	49ft	
Connection method	(Flared)	
Operating Range		
Cooling	14°F~115°F DB	
Heating	-5°F~75°F DB	



Fujitsu General America, Inc.
 Fairfield, NJ 07004
 Toll Free: 1-888-888-3424
 Fax: (973) 836-0447
 www.fujitsugeneral.com

Fujitsu products are subject to continuous improvements. Fujitsu reserves the right to modify product design, specifications and information in this data sheet without notice and without incurring any obligations.

Note: Specifications are based on the following conditions.

Power source of specifications : 230V

Cooling: Indoor temperature of 80°F(26.67°C)DB / 67°F(19.44°C)WB, and outdoor temperature of 95°F(35°C)DB/75°F(23.89°C)WB.

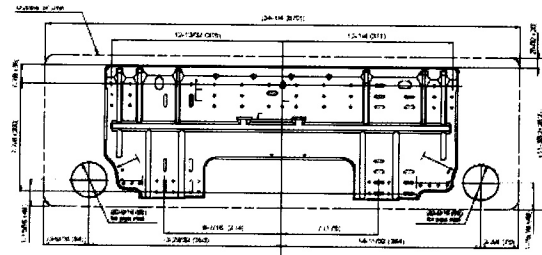
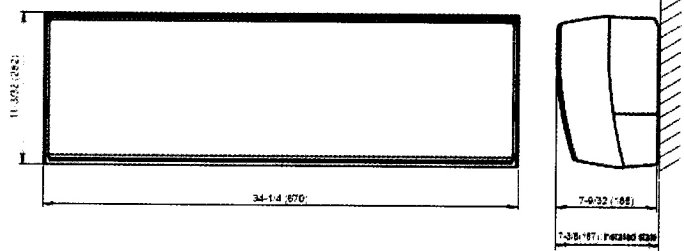
Heating: Indoor temperature of 70°F(21.11°C)DB / 60°F(15.56°C)WB, and outdoor temperature of 47°F(8.33°C)DB/43°F(6.11°C)WB.

Pipe length : 24ft. 7in.(7.5m), Height difference : 0 ft.(0m) [Outdoor unit - Indoor unit]





Indoor Unit Power	208-230VAC-1Ph-60Hz	
Available Voltage Range	187-253VAC	
Fan type	Cross flow	
Motor Output	29W	
MCA	0.4A	
Sound Pressure Level		
Cooling	Lo-Hi	21-43dB
Heating	Lo-Hi	21-43dB
Airflow rate		
Cooling	Lo-Hi	194-500dB
Heating	Lo-Hi	194-500dB
Dimensions		
H x W x D		
Uncrated	(in)	11-3/32 x 34-1/4 x 7-9/32
	(mm)	(282 x 870 x 185)
Crated	(in)	9-23/32 x 36-7/32 x 14-11/16
	(mm)	(247 x 920 x 373)
Weight		
		Indoor
Net	21lbs (9.5kg)	
Gross Shipping	27lbs (12kg)	



Fujitsu General America, Inc.
 Fairfield, NJ 07004
 Toll Free: 1-888-888-3424
 Fax: (973) 836-0447
www.fujitsugeneral.com

Fujitsu products are subject to continuous improvements. Fujitsu reserves the right to modify product design, specifications and information in this data sheet without notice and without incurring any obligations.

