

Job Name: Dan Hanley
 Location: 108 Brackett Ave, Peaks Island
 Engineer: n/a
 Submitted to: City of Portland
 Submitted by: Hoggin Energy
 Reference: n/a

Date: 2/24/16
 Approval: _____
 Construction: _____
 Unit #: _____
 Drawing #: _____

General Features

- Wired or wireless remote
- Energy saving program
- High performance heating
- Sleep timer
- 24-hour timer
- Weekly timer
- Dry mode
- Powerful mode
- Standard Warranty: 5 years parts, 7 years compressor. Applies to systems purchased before June 1st 2015*
- Extended Warranty: 10 years parts, 10 years compressor. Systems that have been installed on or after June 1st 2015 by licensed contractors and the online Product Registration has been submitted.**
- Elite Contractor Extended Warranty: 12 years parts, 12 years compressor. Systems that have been installed on or after June 1st 2015 by contractors who have met requirements and have been approved for elite contractor status plus, the online Product Registration has been submitted. ***

Model Information

Condenser..... AOU9RLS3
 Evaporator..... ASU9RLS3
Electrical..... 208/230V AC 1ph-60Hz
 Available Voltage Range..... 208/230 +/- 10%
 Minimum Circuit Ampacity..... 13.4 A
 Max Fuse Size..... 15A
 Max Start ng Current..... 3.3 A

Input Power

Cooling..... 0.5 kW
 Heating..... 0.66 kW

Running Current

Cooling..... 2.5 A
 Heating..... 3.3 A

Capacity

Nominal Cooling..... 9,000 Btu/h
 Min-Max Cooling..... 3,100-12,000 Btu/h
 Nominal Heating..... 12,000 Btu/h
 Min-Max Heating..... 3,100-22,000 Btu/h

Compressor

..... Rotary (inv x1)
 Motor Output..... 850 W
 Refrigerant..... R410a
 Charge..... 2 lbs. 14 oz
 Oil..... FREOL a68SZ

Fan Motor

(Condenser) Type: DC Propeller x1
 (Condenser) Motor Output..... 49 W
 (Evaporator) Type: DC Cross flow fan x1
 (Evaporator) Motor Output..... 61 W

Heat Exchanger {Condenser (C) Evaporator (E)}

Dimensions (H x W x D)
 Condenser..... 23-1/8 x 34-11/16 x 1-7/16 in. (588x881x36.4 mm)
 Evaporator..... Main 15-1/8 x 28-3/8 x 1-3/16 in. (384x720x30) Sub 3-5/16 x 28-3/8 x 1/2 in. (84x720x13.3 mm) 4-15/16 x 28-3/8 x 1/2 in. (126x720x13.3 mm)
 Fin Pitch..... 20 FPI (C) Main 21 FPI Sub 18 FPI (E)
 Rows x Stages..... 2 x 28 (C) Main 3 x 24 Sub 1 x 10 (E)
 Pipe Type (Material)..... Copper (C) Copper (E)
 Fin Type (Material)..... Aluminum (C) Aluminum (E)

Note: Specifications are based on the following conditions:
 Cooling: Indoor temperature of 80°F (26.7°C) DB/67°F (19.44°C) WB, and outdoor temperature of 95°F (35°C) DB/75°F (23.9°C) WB.
 Heating: Indoor temperature of 70°F (21.1°C) DB/59°F (15°C) WB, and outdoor temperature of 47°F (8.33°C) DB/43°F (6.11°C) WB.
 Pipe length: 24ft. 7in. (7.5m). Height difference: 0ft. (0m) (Outdoor unit – indoor unit)
 (*Standard warranty / **10 year warranty / ***12 year warranty)



Operation Temperature Range

Cooling..... 14°F to 115°F (46°C - -10°C)
 Heating..... -5°F to 75°F (24°C - -21°C)

Efficiency

SEER..... 33
 EER (cooling)..... 5.28 kW/kW
 COP (heating)..... 5.33 kW/kW / 18.2 Btu/hW
 HSPF (heating)..... 14.2 Btu/hW

Enclosure

Condenser
 Material..... Painted galvanized steel
 Color..... Beige (10 YR 7.5/1.0 NN)
 Evaporator
 Material..... Polystyrene
 Color..... White (Approximate color of Munsell 5PB 9.25/0.5)

Sound Pressure Level

Condenser..... 42 dB(A)
 Evaporator..... 42 dB(A)

Dimensions

H x W x D
 Outdoor in. (mm)..... 24-1/2 (620) x 31-1/8 (790) x 11-7/16 (290)
 Indoor in. (mm)..... 11-5/8 (295) x 37 (940) x 10-5/8 (270)

Connection Pipe

Liquid..... 1/4" / 6.35 mm Flare
 Gas..... 3/8" / 9.52 mm Flare
 Method (Liquid/Gas)..... Brazing
 Max Length (Pre-charge)..... 65 ft.(20 m) / (49 ft. {15 m})
 Max Height Difference..... 49 ft. (15 m)

Drain Hose

In. (mm)..... Ø 9/16 (Ø13.8) (I.D.) Ø5/8 to Ø11/16 (Ø15.8 to Ø16.7) (O.D.)

Weight

Condenser..... 84 lbs. (38 kg)
 Evaporator..... 31 lbs. (14 kg)

Accessories

UTY-RNNUM^..... Wired remote control
 UTY-RVNUM^..... Wired remote control (backlit, shows room temp.)
 UTY-RSNUM^..... Wired remote control (simple)
 UTY-XWZXXZ5..... Dry contact wire kit
 UTY-TWBXF1..... Interface kit

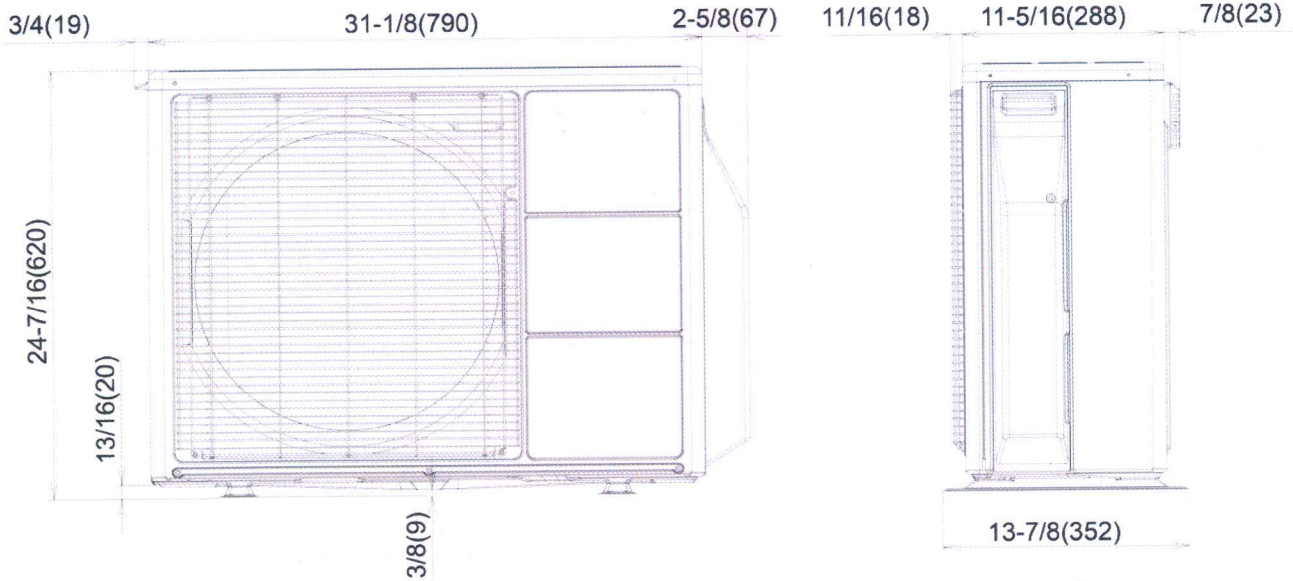
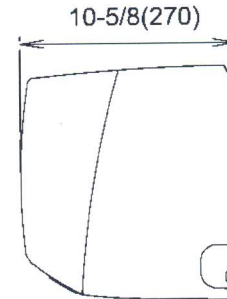
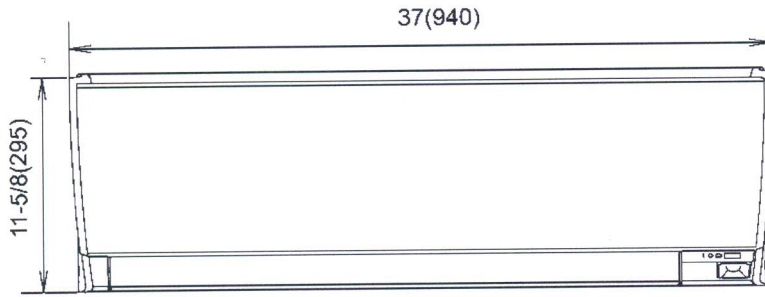
^1 Requires interface kit # UTY-TWBXF1 in order to connect these devices to them.

Fujitsu General America, Inc.
 353 Route 46 West
 Fairfield, NJ 07004
 Toll Free: 1-888-888-3424
 Fax: (973) 836-0447
www.fujitsu-general.com



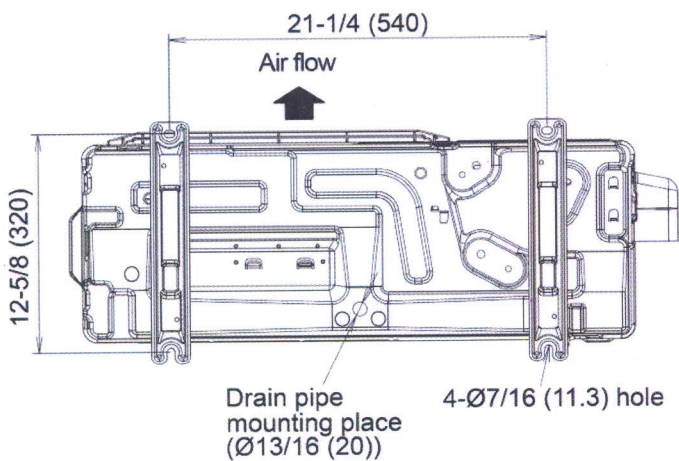
Dimensions: 9RLS3

[Unit: in. (mm)]



Front view

Side view



Bottom view

