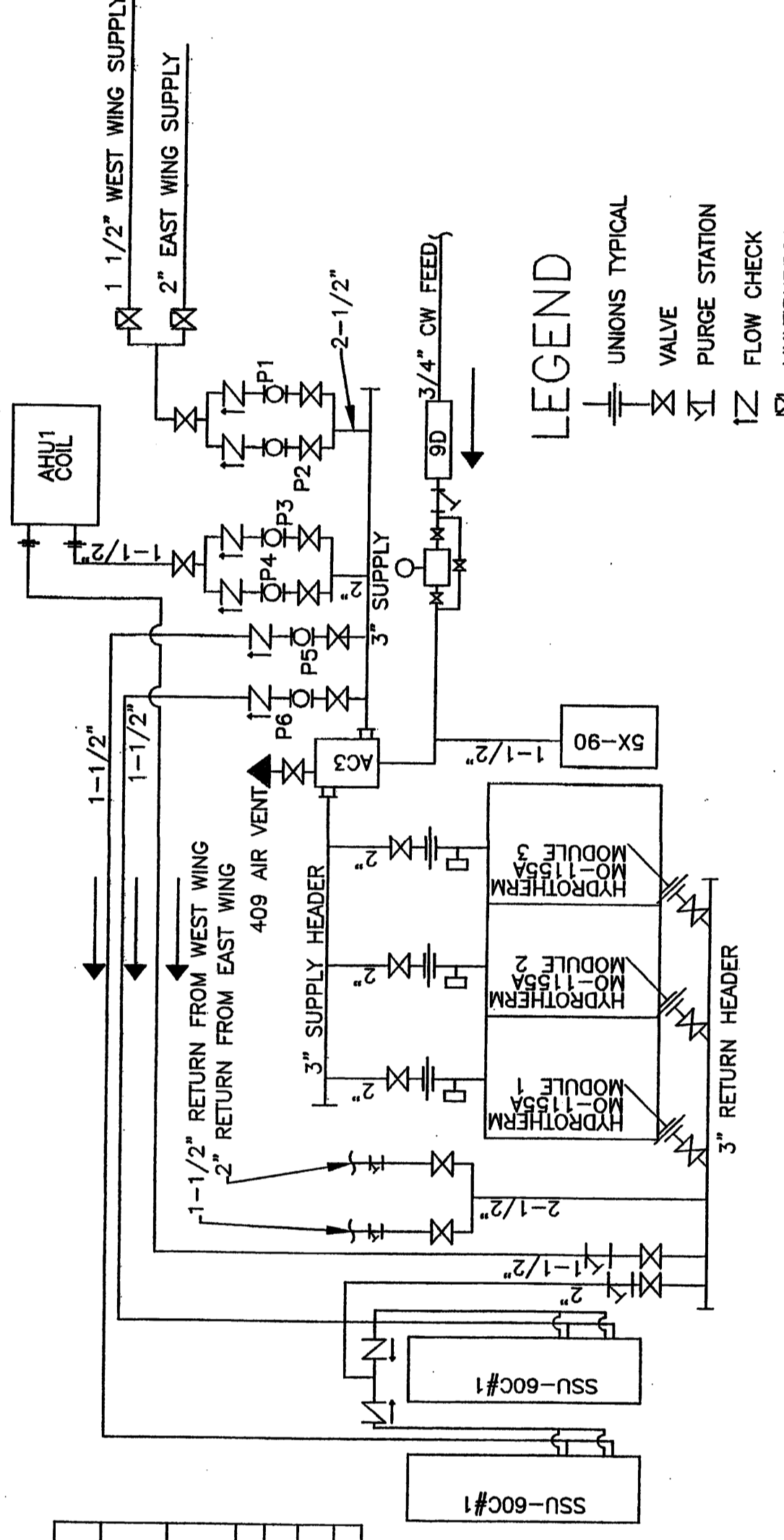
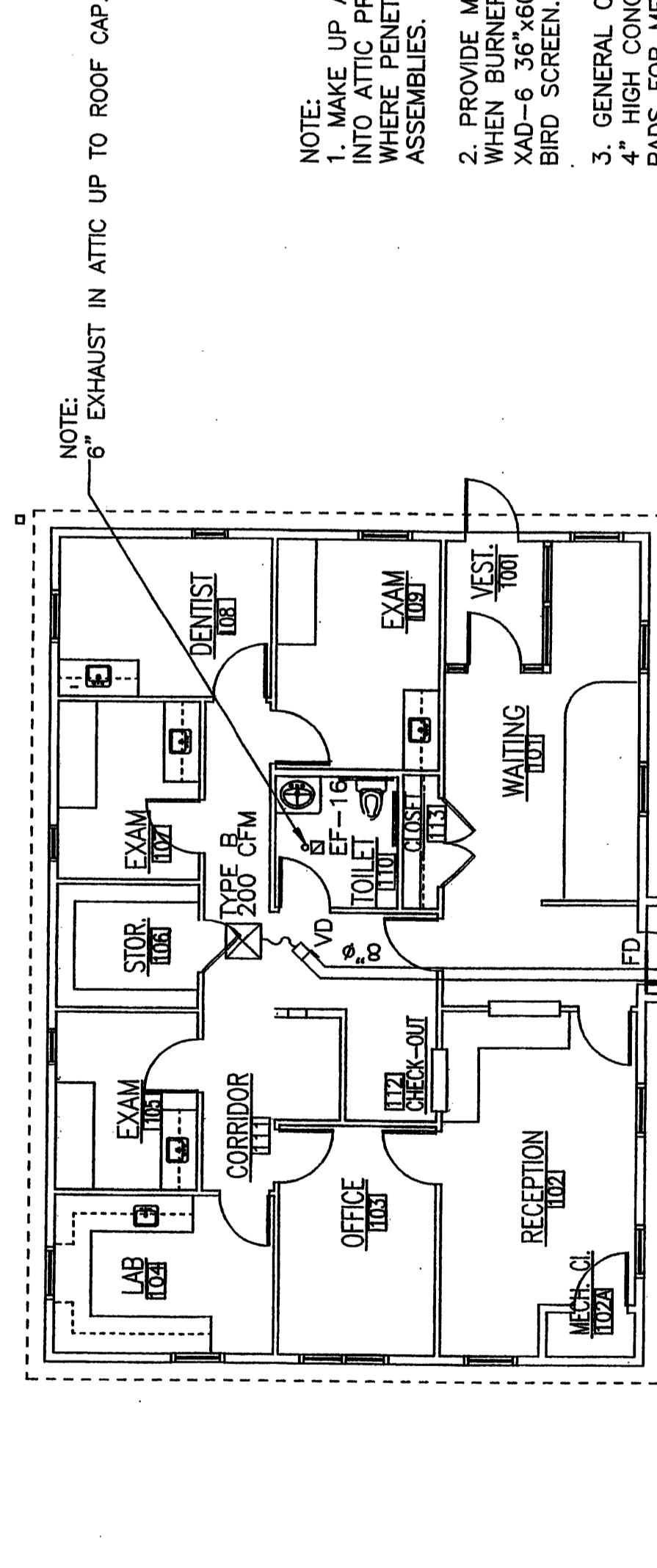


FAN SCHEDULE							
UNIT	MODEL NUMBER	TYPE	LOCATION	BALANCE CFM @ .25 T.S.P.	RPM	VOLTAGE/AMPS/WATTS	NOTES
EF #1 THRU EF #13	BY OTHERS	CEILING	APT BATHROOMS	75	640	120V/1.1 AMP/87 WATTS	1,2,4
EF #14	L100	CEILING	JANITORS ROOM	150	710	120V/1.3 AMP/100 WATTS	1,3,4
EF #15	L100	CEILING	MENS ROOM	75	640	120V/1.1 AMP/87 WATTS	1,3,4
EF #16	L100	CEILING	WOMENS ROOM	75	640	120V/1.1 AMP/87 WATTS	1,3,4
EF #17	L100	CEILING	TOILET ROOM	75	640	120V/1.1 AMP/87 WATTS	1,3,4

1. BASED ON BROAN
2. PROVIDE BROAN MODEL # 636 ROOF CAP FOR EACH SYSTEM
3. PROVIDE BROAN MODEL # 634M ROOF CAP
4. PROVIDE BACKDRAFT SHUTTER



1 BOILER PIPING DETAIL  
N.T.S.



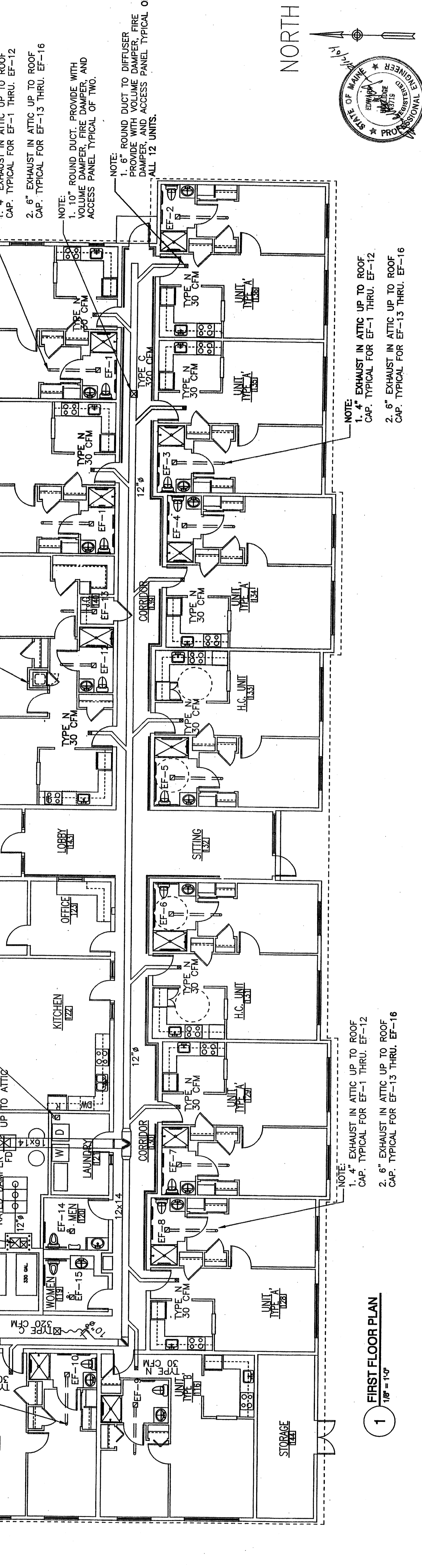
COMBUSTION AIR LOUVER DETAIL  
NOT TO SCALE

DIFFUSERS - REGISTERS - GRILLS									
SYMBOL	MPGR & MODEL #	SIZE	CFM	NC	PD	THROW	CONN.		
A	ANEMOSTAT #EPL	6" DIA	0-100	<20	0.03	2-6	8" DIA		
B	ANEMOSTAT #EPL	8" DIA	101-200	<20	0.01	3-8	8" DIA		
C	ANEMOSTAT #EPL	10" DIA	201-400	<20	0.05	5-14	10" DIA		
D	ANEMOSTAT #EPL	12" DIA	401-640	<20	0.03	7-17	12" DIA		
E	ANEMOSTAT #SSH	12" X 24"	0-350	<25	0.04	—	10" DIA		
F	ANEMOSTAT #G5L	12" X 24"	351-700	<25	0.04	—	14" DIA		
G	ANEMOSTAT #G5L	24" X 24"	701-1300	<30	0.03	—	16" DIA		
H	ANEMOSTAT #S2VO	12" X 4"	0-100	<20	0.02	9-15	8" DIA		
J	ANEMOSTAT #S2VO	14" X 6"	101-200	<20	0.03	11-18	8" DIA		
K	ANEMOSTAT #S2VO	16" X 8"	201-350	<20	0.02	13-20	10" DIA		
L	ANEMOSTAT #S2VO	24" X 8"	351-450	<20	0.02	18-28	10" DIA		
M	ANEMOSTAT #SSH	8" X 8"	0-100	<20	0.02	—	8" DIA		
N	ANEMOSTAT #DM41	8" X 8"	0-100	<20	0.06	3-6	6" X 6"		
P	ANEMOSTAT #DM41	9" X 8"	101-200	<20	0.06	4-9	9" X 6"		
Q	ANEMOSTAT #DM41	9" X 12"	201-350	<20	0.08	5-11	9" X 12"		
R	ANEMOSTAT #DM41	12" X 12"	351-500	<20	0.08	7-14	12" X 12"		

DUCTWORK LEGEND	
SYMBOL	DEFINITION
▲	SUPPLY DUCT UP
▼	SUPPLY DUCT DN
⊖	EXHAUST DUCT UP
⊖	EXHAUST DUCT DN
⊕	SUPPLY DIFFUSER
⊕	EXHAUST OR RETURN AIR REGISTER
∩	VOLUME DAMPER
⊙	TEMPERATURE SENSOR
⊙	FIRE DAMPER AND ACCESS DOOR
⊙	SMOKE DETECTOR
⊙	MOTORIZED DAMPER
⊙	DOOR LOUVER
⊙	OUTSIDE AIR

PIPING LEGEND	
SYMBOL	DEFINITION
⊕	GATE VALVE
⊕	BALL VALVE
⊖	BUTTERFLY VALVE
⊖	BALANCING VALVE
⊕	TWO WAY CONTROL VALVE
⊕	STAINER
⊕	UNION
⊕	THERMOMETER
⊕	PRESSURE GAUGE
⊕	PIPE RISE
⊕	PIPE DROP
→	DIRECTION OF FLOW
HWS	HOT WATER SUPPLY
HWR	HOT WATER RETURN
—	CAP



1 FIRST FLOOR PLAN  
1/8" = 1'-0"

Project: PEAKS ISLAND V.O.A. SENIOR HOUSING FACILITY & HEALTH CENTER H.U.D. Project # 024-EE058  
Central Avenue Peaks Island, Maine  
Drawing Title: FIRST FLOOR DUCT WORK PLAN

Revisions: No. Date

THE CENTER CO. PLUMBING MECHANICAL  
1285 BAY PLAZA PALM BEACH, FL 33480  
407-997-0600

Tsomides Associates Architects Planners  
ECHO BRIDGE OFFICE PARK 880 Upper Falls Street Newton Upper Falls, MA 02464  
517-993-4774 Fax: 517-993-4868 www.tsomides.com

DATE ISSUED: 7/10/04  
SCALE: 1/8" = 1'-0"  
DRAWING NUMBER: M-2